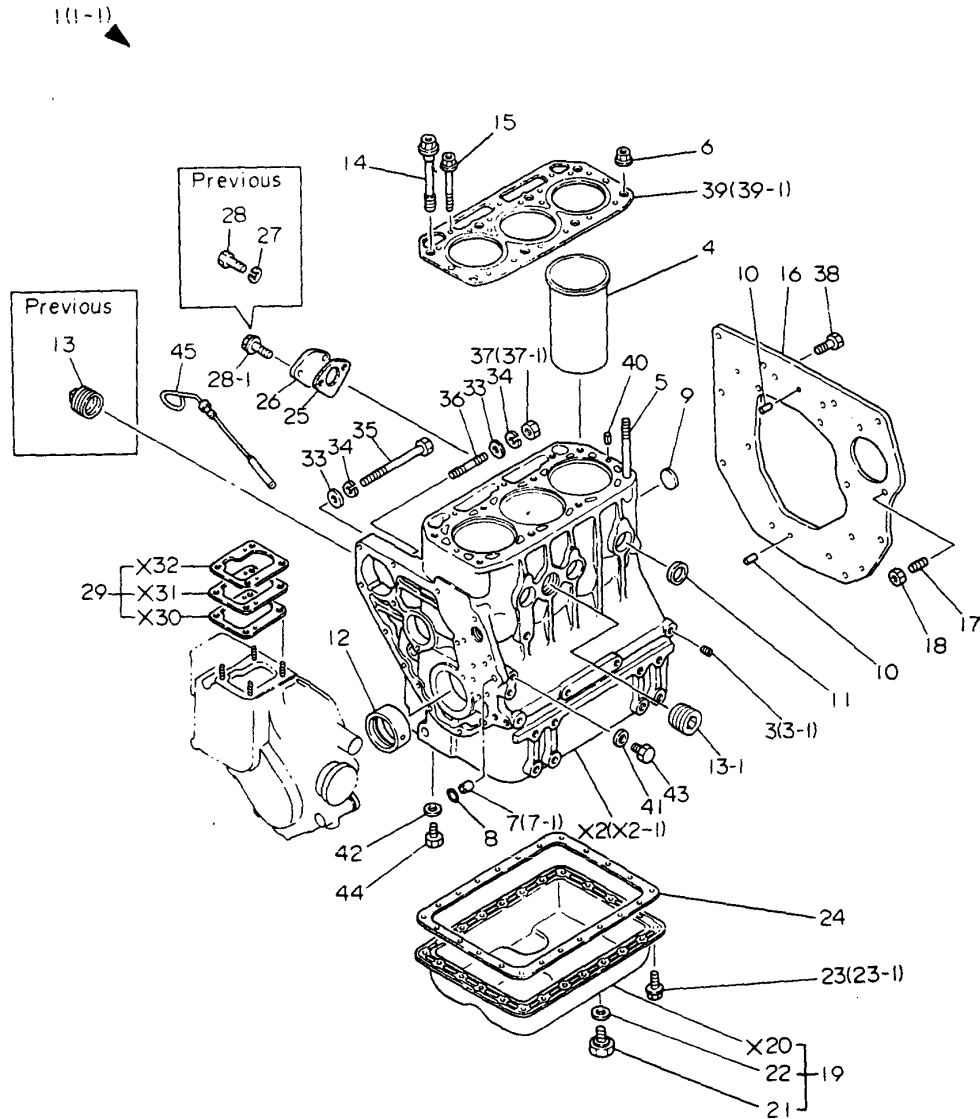


Fig. 1 CYLINDER BLOCK



Y00T2321 1. CYLINDER BLOCK

(A)=3T84HA (D)=  
 (B)=3T84HA-F (E)=  
 (C)=3T84HA-S (F)=

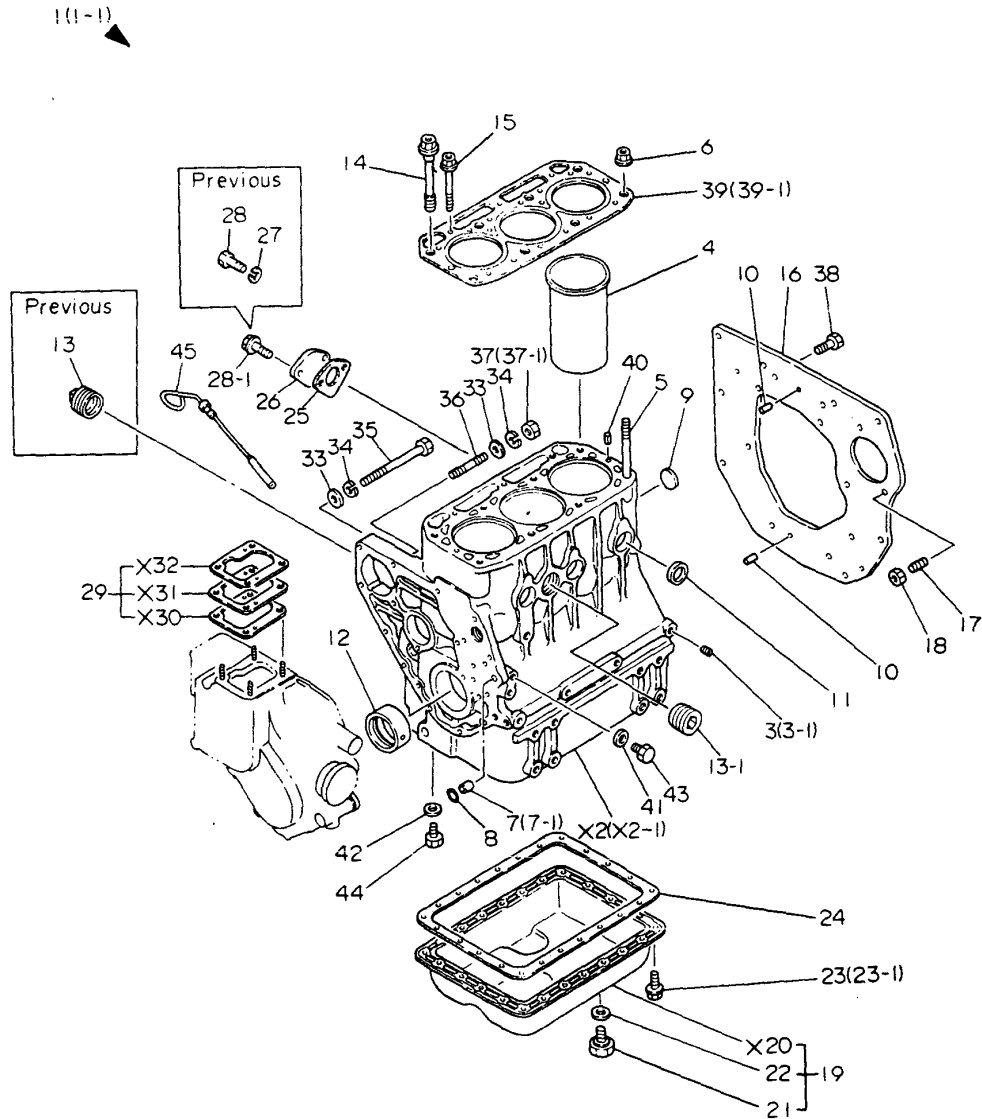
REF.	LEV.	PARTS NO.	DESCRIPTION	QTY						I	R
				(A)	(B)	(C)	(D)	(E)	(F)		
1	1	729350-01560-Z	BLOCK ASSY, CYLINDER	1	1	1					
3	2	124060-01050	PLUG, PT1/8	8	8						
3-1	2	124060-01050	PLUG, PT1/8	6	6	6					K
		(A=*1982.05) (B=*1982.05)									
4	2	129350-01100	LINER, CYLINDER	3	3	3					
5	2	124950-01210	STUD, CYL. HEAD	2	2	2					
6	2	121450-01220	NUT, CYL. HEAD	2	2	2					
7	2	105225-01900	GUIDE, O-RING	2							
7-1	2	124085-01900	GUIDE, O-RING	2	2	2					R
		(A=*1981.)									
8	2	24311-000100	O-RING 1A P-10.0	2	2	2					
9	2	121450-01990	PLUG 30	1	1	1					
10	2	22312-080160	PARALLEL PIN 8X 16	2	2	2					
11	2	27243-300000	PLUG 30	6	6	6					
12	2	129350-02100	MAIN BEARING	1	1	1					
13	2	121750-01920	PLUG	1	1						
13-1	2	171051-01921	PLUG	1	1	1					R
		(A=*1982.05) (B=*1982.05)									
14	1	129350-01200	STUD, CYL. HEAD	6	6	6					
15	1	129350-01230	BOLT, CYL. HEAD	3	3	3					
16	1	129350-01600-Z	FLANGE, MOUNTING	1	1	1					
17	1	124450-01610	STUD, STARTER	2	2	2					
18	1	26716-120002	NUT M12	2	2	2					
19	1	729350-01540-Z	SUMP ASSY, LUB. OIL	1	1	1					
21	2	104200-55080	PLUG, DRAIN	1	1	1					
22	2	43400-500450	SEAL WASHER 12	1	1	1					
23	1	121450-01710	BOLT	23	23	23					
23-1	1	26106-060082	BOLT M 6X 8 PLATED	23	23	23					N
		(A=E/# A3393) (B=E/# A3393) (C=E/# A3393)									
24	1	121575-01750	GASKET, OIL SUMP	1	1	1					
25	1	121520-01850	GASKET, F.FEED PUMP	1	1	1					
25-1	1	121520-01851	GASKET, (NON ASB.)	1	1	1					N
		(A=E/# A7791) (B=E/# A7791) (C=E/# A7791)									
26	1	121520-01860	COVER, BLIND	1	1	1					
27	1	22217-060000	SPRING WASHER 6	2	2						Z
		(A=*)									
28	1	26116-060182	BOLT M6X18	2	2						
28-1	1	26106-060182	BOLT M 6X 18 PLATED	2	2	2					N
		(A=*1982.10) (B=*1982.10)									
29	1	121450-01951	SHIM SET	1	1	1					
33	1	22117-080000	WASHER 8	4	4	4					
34	1	22217-080000	SPRING WASHER 8	4	4	4					
35	1	26116-081102	BOLT M 8X110 PLATED	2	2	2					
36	1	26216-080302	STUD M 8X 30 PLATED	2	2	2					
37	1	26716-080002	NUT M 8	2	2						
37-1	1	26716-080002	NUT M 8	4	4	4					K
		(A=E/# 95898) (B=E/# 85898)									
38	1	26206-100222	BOLT M10X22	10	10	10					
39	1	129350-01330	GASKET, CYL. HEAD	1	1						
39-1	1	129350-01331	GASKET, CYL. HEAD	1	1	1					N
		(A=*1982.08) (B=*1982.08)									
40	1	22351-060012	SPRING PIN 6X12	2	2	2					W
		(A=*1982.10)									
41	1	23414-120000	GASKET 12, ROUND	2	2	2					W

++ CONTINUE ++

Fig. 1 CYLINDER BLOCK

Y00T2321 1. CYLINDER BLOCK

(A)=3T84HA (D)=  
 (B)=3T84HA-F (E)=  
 (C)=3T84HA-S (F)=

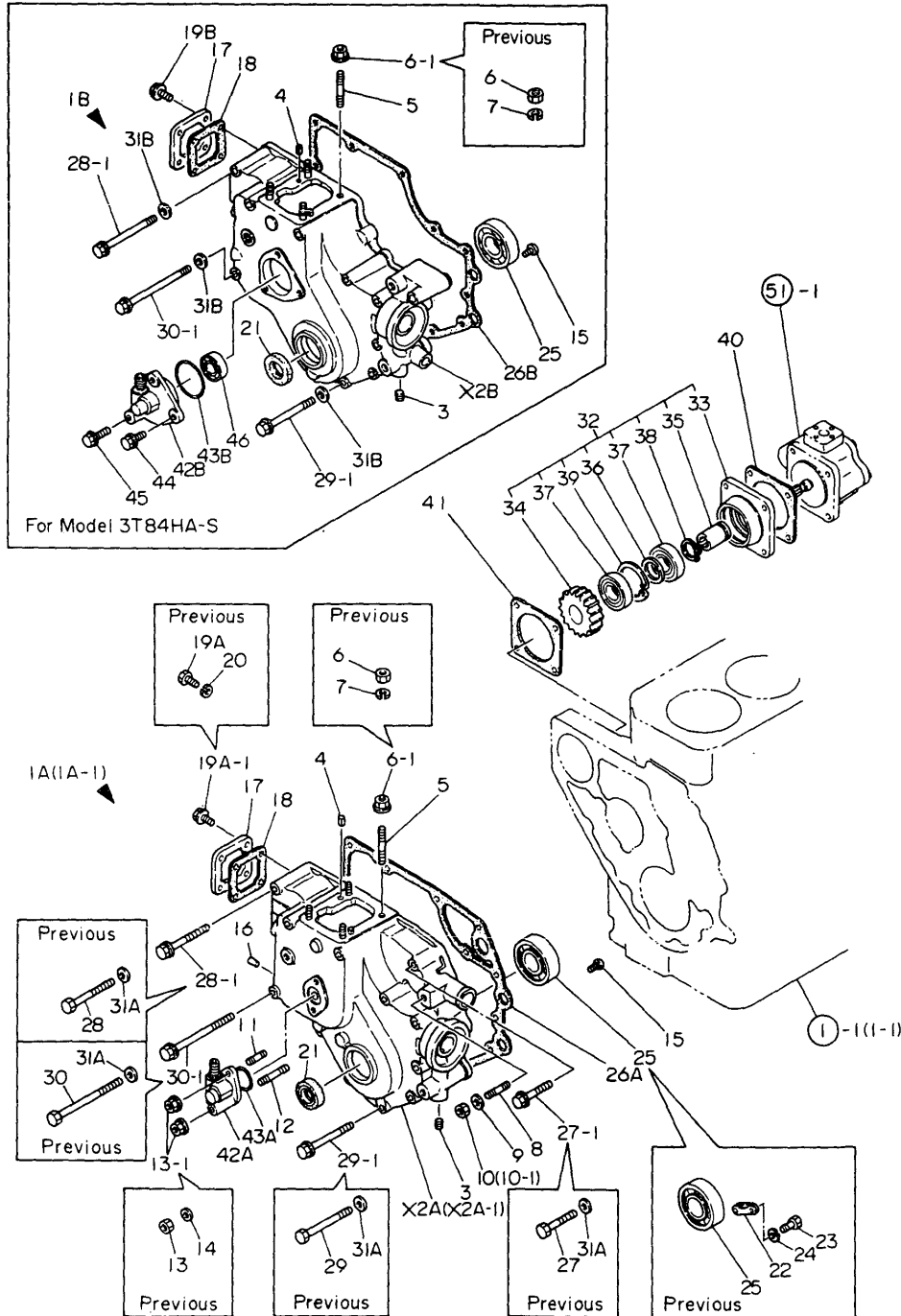


REF.	LEV.	PARTS NO.	DESCRIPTION	QTY						I	R
				(A)	(B)	(C)	(D)	(E)	(F)		
		(A=*1982.04)									
42	1	23414-120016	GASKET 12	2	2	2					W
		(A=*1982.05)									
43	1	23881-120002	PLUG 12	2	2	2					W
		(A=*1982.05)									
44	1	23887-120002	PLUG 12,HEX.	2	2	2					W
		(A=*1982.05)									
45	1	129350-34800	DIPSTICK, LUB. OIL	1	1	1					

Fig. 2 GEAR HOUSING

Y00T2321 2. GEAR HOUSING

(A)=3T84HA (D)=  
 (B)=3T84HA-F (E)=  
 (C)=3T84HA-S (F)=

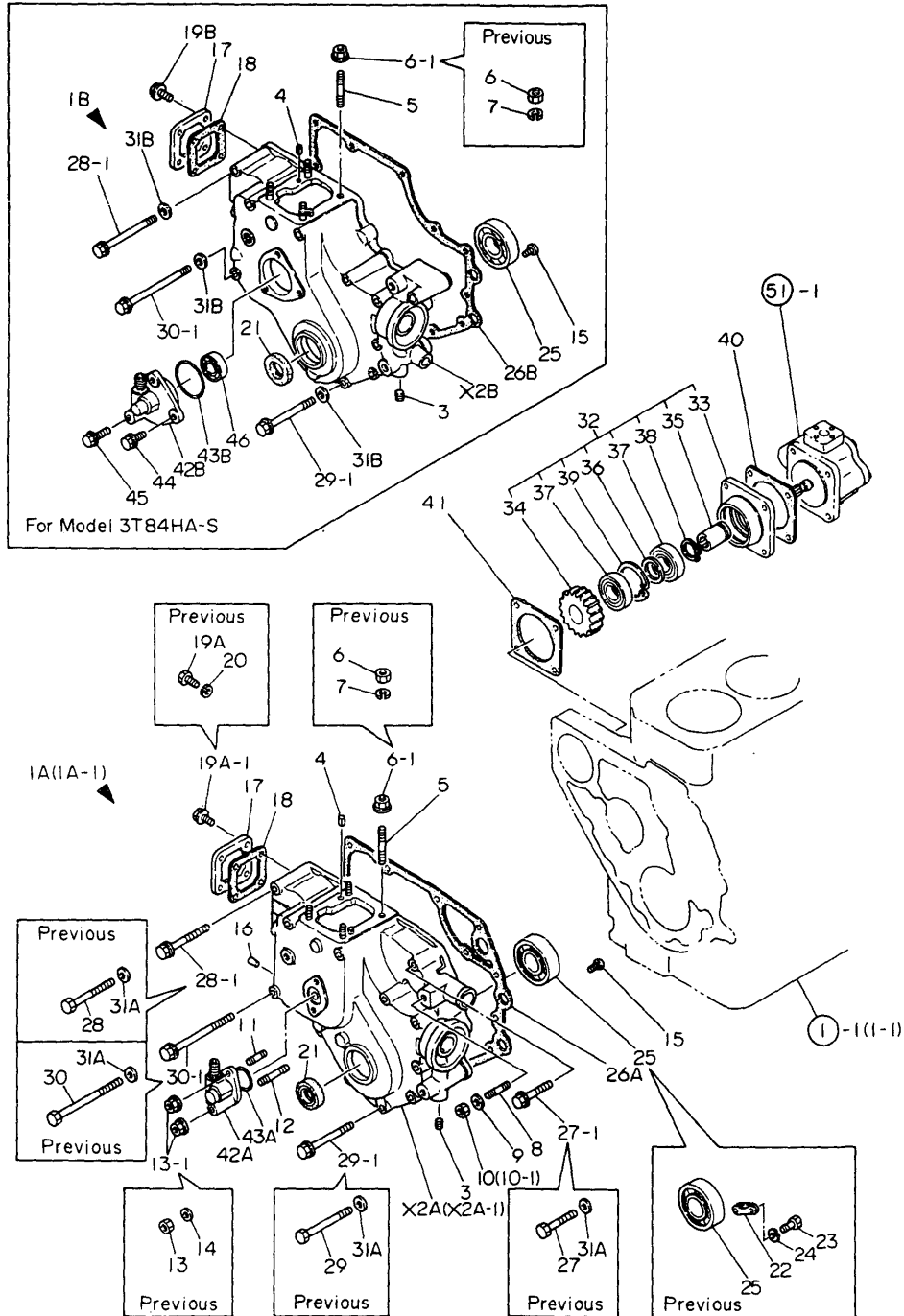


REF.	LEV.	PARTS NO.	DESCRIPTION	QTY						I	R
				(A)	(B)	(C)	(D)	(E)	(F)		
1A	1	721454-01611-Z	HOUSING ASSY, GEARS	1							
1A-1	1	721454-01612-Z	HOUSING ASSY, GEARS	1	1						N
(A=*1981.)											
1B	1	729335-01612	HOUSING ASSY, GEAR						1		
3	2	124060-01050	PLUG, PT1/8	1	1	1					
4	2	22351-040010	SPRING PIN 4X10	2	2	2					
5	2	121450-01560	STUD M 8X 22	4	4	4					
6	2	26716-080002	NUT M 8	4	4	4					
6-1	2	194990-22050	NUT W/WASHER 8	4	4	4					S
(A=E/# A0364) (B=E/# A0364) (C=E/# A0364)											
7	2	22217-080000	SPRING WASHER 8	4	4	4					Z
(A=E/# A0364) (B=E/# A0364) (C=E/# A0364)											
8	2	121450-01570	STUD	1	1						
9	2	22117-100000	WASHER 10	1	1						
10	2	26716-100002	NUT M10	1	1						
10-1	2	26706-100002	NUT M10	1	1						N
(A=*1982.10) (B=*1982.10)											
11	2	26216-060142	STUD M 6X 14 PLATED	1	1						
12	2	26216-060352	STUD M 6X 35 PLATED	1	1						
13	2	26716-060002	NUT M 6	2	2						
13-1	2	26366-060002	NUT M 6	2	2						N
(A=*1982.10) (B=*1982.10)											
14	2	22217-060000	WASHER 6	2	2						Z
(A=*1982.10) (B=*1982.10)											
15	2	26587-080102	SCREW M 8X 10	1	1	1					
16	2	121085-01890	PLUG	1	1						
17	1	121450-01550	COVER, CYL. BLOCK	1	1	1					
18	1	121450-01531	GASKET, COVER	1	1	1					
19A	1	26116-060122	BOLT M 6X 12	4	4						
19A-1	1	26106-060122	BOLT M 6X 12 PLATED	4	4						N
(A=E/# 95454) (B=E/# 95454)											
19B	1	26106-060102	BOLT M 6X 10 PLATED						4		
20	1	22217-060000	SPRING WASHER 6	4	4						Z
(A=E/# 95454) (B=E/# 95454)											
21	1	121450-01801	SEAL TC25 40 8, OIL	1	1	1					
22	1	124085-01820	RETAINER, BEARING	1							Z
(A=*1981.)											
23	1	26116-040122	BOLT M 4X 12 PLATED	2							Z
(A=*1981.)											
24	1	22217-040000	SPRING WASHER 4	2							Z
(A=*1981.)											
25	1	24101-063050	BALL BEARING	1	1	1					
26A	1	121450-01511	GASKET, GEAR HOUSING	1	1						
26B	1	121575-01510	GASKET, GEAR HOUSING						1		
27	1	26116-080452	BOLT M 8X 45 PLATED	1	1						
27-1	1	26106-080452	BOLT M 8X 45 PLATED	1	1						N
(A=*1982.10) (B=*1982.10)											
28	1	26116-080752	BOLT M 8X 75 PLATED	2	2						
28-1	1	26106-080752	BOLT M 8X 75 PLATED	2	2	2					N
(A=*1982.10) (B=*1982.10)											
29	1	26116-080852	BOLT M 8X 85 PLATED	7	7						
29-1	1	26106-080852	BOLT M 8X 85 PLATED	7	7	7					N
(A=*1982.10) (B=*1982.10)											
30	1	26116-081152	BOLT M 8X115 PLATED	3	3						

++ CONTINUE ++

Fig. 2 GEAR HOUSING

(A)=3T84HA (D)=  
 (B)=3T84HA-F (E)=  
 (C)=3T84HA-S (F)=

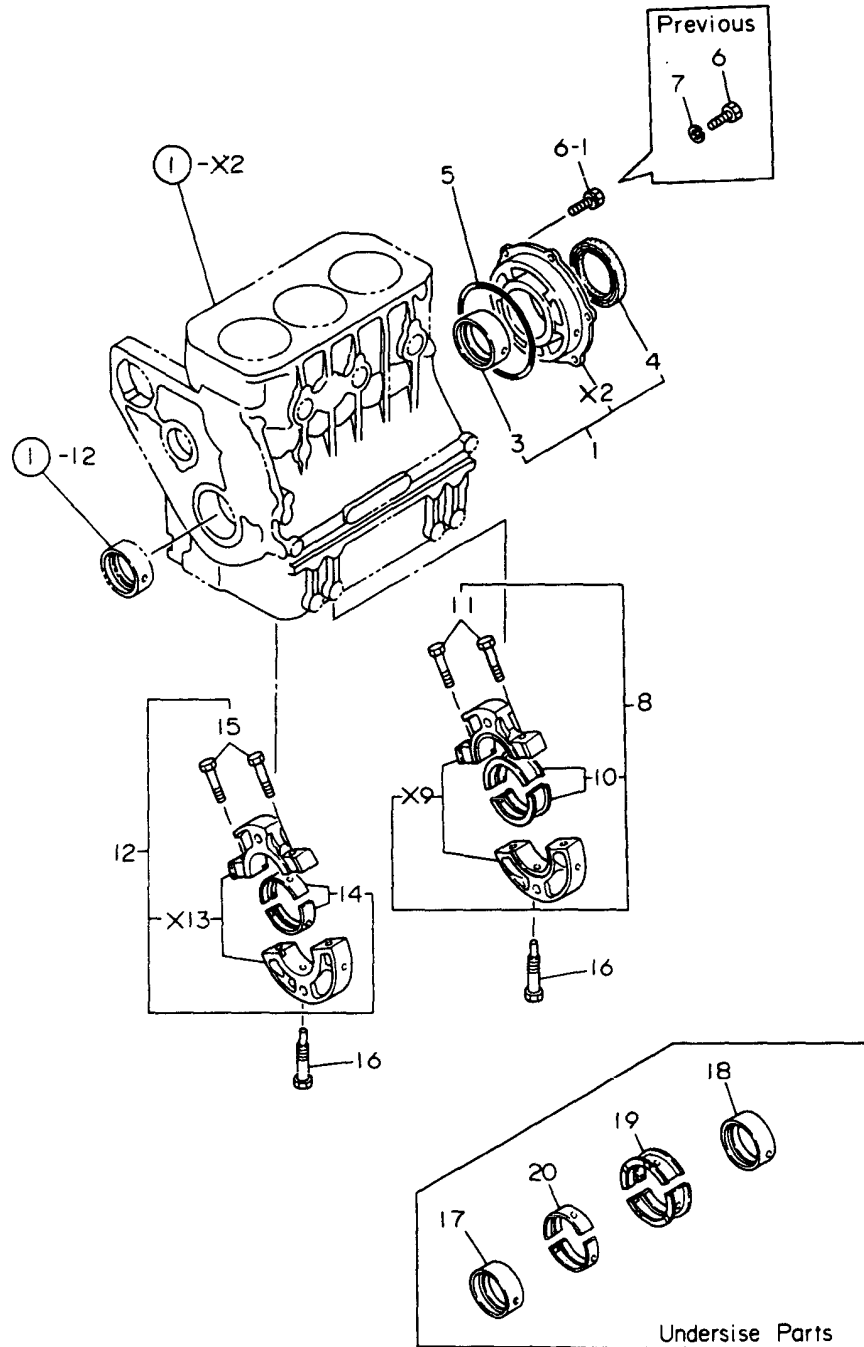


REF.	LEV.	PARTS NO.	DESCRIPTION	QTY						I	R
				(A)	(B)	(C)	(D)	(E)	(F)		
30-1	1	26106-081152 (A=E/# 95454) (B=E/# 95454)	BOLT M 8X115 PLATED	3	3	3					N
31A	1	22117-080000	WASHER 8	13	13						Z
31B	1	22117-080000 (A=*1982.) (B=*1982.) (C=E/# A2243)	WASHER 8			12					Z
32	1	129354-26000	GEAR UNIT	1	1	1					
33	2	129350-26050	BRACKET, HO-P	1	1	1					
34	2	129354-26200	GEAR	1	1	1					
35	2	129354-26400	SHAFT	1	1	1					
36	2	124950-26420	SPACER	1	1	1					
37	2	129350-26490	BALL BEARING	2	2	2					
38	2	22242-000250	CIRCLIP 25S	1	1	1					
39	2	22252-000470	CIRCLIP 47	1	1	1					
40	1	124240-01882	GASKET, HO-P	1	1	1					
40-1	1	124240-01883 (A=E/# A7791) (B=E/# A7791) (C=E/# A7791)	GASKET, (NON ASB.)	1	1	1					N
41	1	124950-26021	GASKET	1	1	1					
42A	1	121450-91400	GEAR UNIT	1	1						
42B	1	121456-91400	GEAR UNIT			1					
43A	1	24341-000260	O-RING 1A S-26.0	1	1						
43B	1	24341-000460	O-RING 1A S-46.0			1					
44	1	121456-91981	BOLT M8X 16 PLATED			2					
45	1	121456-91991	BOLT M8X 35 PLATED			1					
46	1	24101-062024	BALL BEARING			1					

Fig. 3 MAIN BEARING HOUSING

Y00T2321 3. MAIN BEARING HOUSING

(A)=3T84HA (D)=  
 (B)=3T84HA-F (E)=  
 (C)=3T84HA-S (F)=



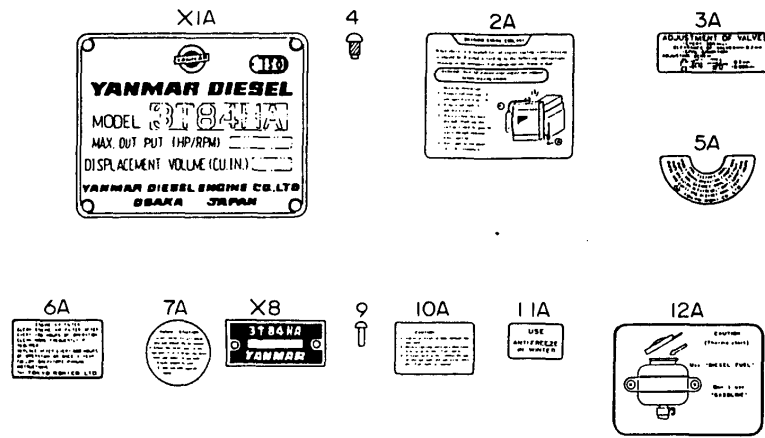
REF.	LEV.	PARTS NO.	DESCRIPTION	QTY						I	R
				(A)	(B)	(C)	(D)	(E)	(F)		
1	1	721550-02500	HOUSING ASSY	1	1	1					
3	2	121550-02110	MAIN BEARING	1	1	1					
4	2	121551-02220	SEAL, OIL	1	1	1					
5	1	24341-001350	O-RING 1A S-135.0	1	1	1					
6	1	26116-080202	BOLT M 8X 20 PLATED	6	6						
6-1	1	26013-080202	BOLT W/WASHER M8X20	6	6	6					N
7	1	22217-080000	SPRING WASHER 8	6	6						Z
		(A=*1982.10) (B=*1982.10)									
8	1	729350-02610	HOUSING ASSY	1	1	1					
10	2	729350-02800	MAIN BEARING	1	1	1					1
11	2	121250-02070	BOLT	2	2	2					
12	1	729350-02620	HOUSING ASSY	1	1	1					
14	2	729350-02810	MAIN BEARING	1	1	1					2
15	2	121250-02070	BOLT	2	2	2					
16	1	121550-02300	BOLT	2	2	2					
17	1	129350-02310	MAIN BEARING US=0.25	1	1	1					3
18	1	121550-02320	MAIN BEARING US=0.25	1	1	1					3
19	1	129350-02330	MAIN BEARING US=0.25	1	1	1					3
20	1	129350-02350	MAIN BEARING US=0.25	1	1	1					3

Fig. 4 LABELS (FOR ENGINE)

Y00T2321 4. LABELS(FOR ENGINE)

(A)=3T84HA (D)=  
 (B)=3T84HA-F (E)=  
 (C)=3T84HA-S (F)=

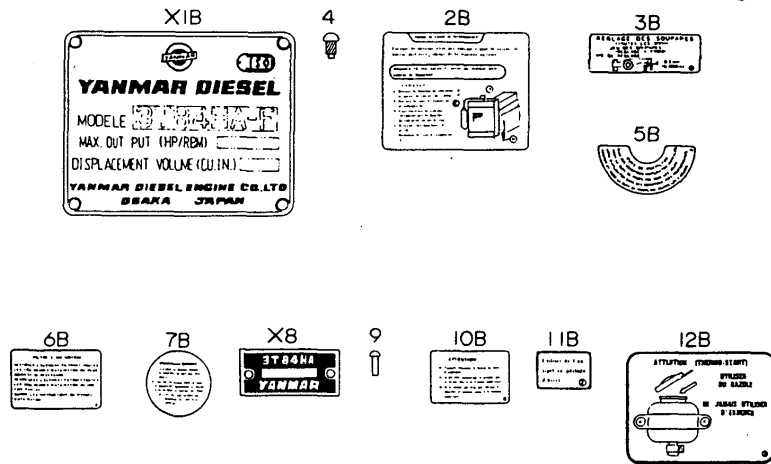
[English]



REF.	LEV.	PARTS NO.	DESCRIPTION	QTY						I	R	
				(A)	(B)	(C)	(D)	(E)	(F)			
2A	1	121254-07150	LABEL, WATER DRAIN	1		1						
2B	1	121241-07150	LABEL, WATER DRAIN		1							
3A	1	124064-07160	LABEL, VALVE ADJUST.	1		1						
3B	1	124040-07160	LABEL, VALVE ADJUST.		1							
4	1	102210-07990	RIVET		4	4	4					
5A	1	121454-12480	LABEL, PRE-CLEANER	1		1						
5B	1	121440-12520	LABEL, PRE-CLEANER(F			1						
6A	1	121454-12520	LABEL, AIR-CLEANER	1		1						
6B	1	121440-12480	LABEL, AIR CLEANER(F			1						
7A	1	124764-44800	LABEL, RADIATOR	1		1						
7B	1	124740-44800	LABEL, RADIATOR			1						
9	1	124220-51890	RIVET, LABEL	1	1	1						
10A	1	124764-44810	LABEL, RESERVE TANK	1		1						
10B	1	124740-44810	LABEL, SUB-TANK			1						
11A	1	124764-44920	LABEL, ANTI-FREEZING	1		1						
11B	1	124740-44920	LABEL, ANTI-FREEZING			1						
12A	1	124764-77980	LABEL, FUEL CAUTION	1		1						
12B	1	124740-77980	LABEL, FUEL CAUTION			1						

For Model 3T84HA-F

[French]



For Model 3T84HA-S

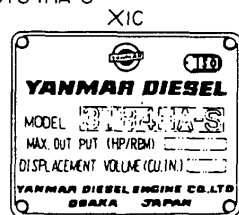
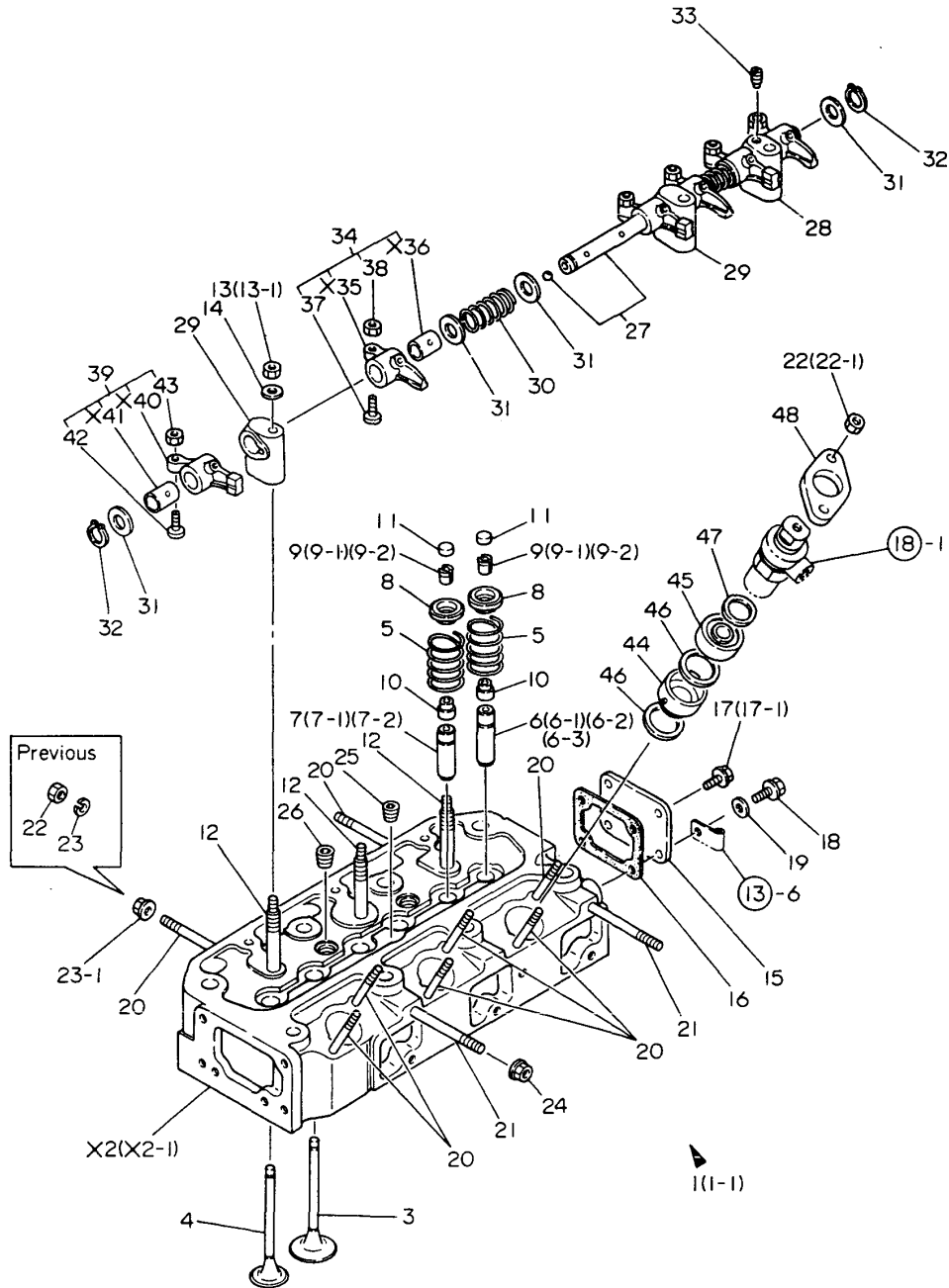


Fig. 5 CYLINDER HEAD



Y00T2321 5. CYLINDER HEAD

(A)=3T84HA (D)=  
 (B)=3T84HA-F (E)=  
 (C)=3T84HA-S (F)=

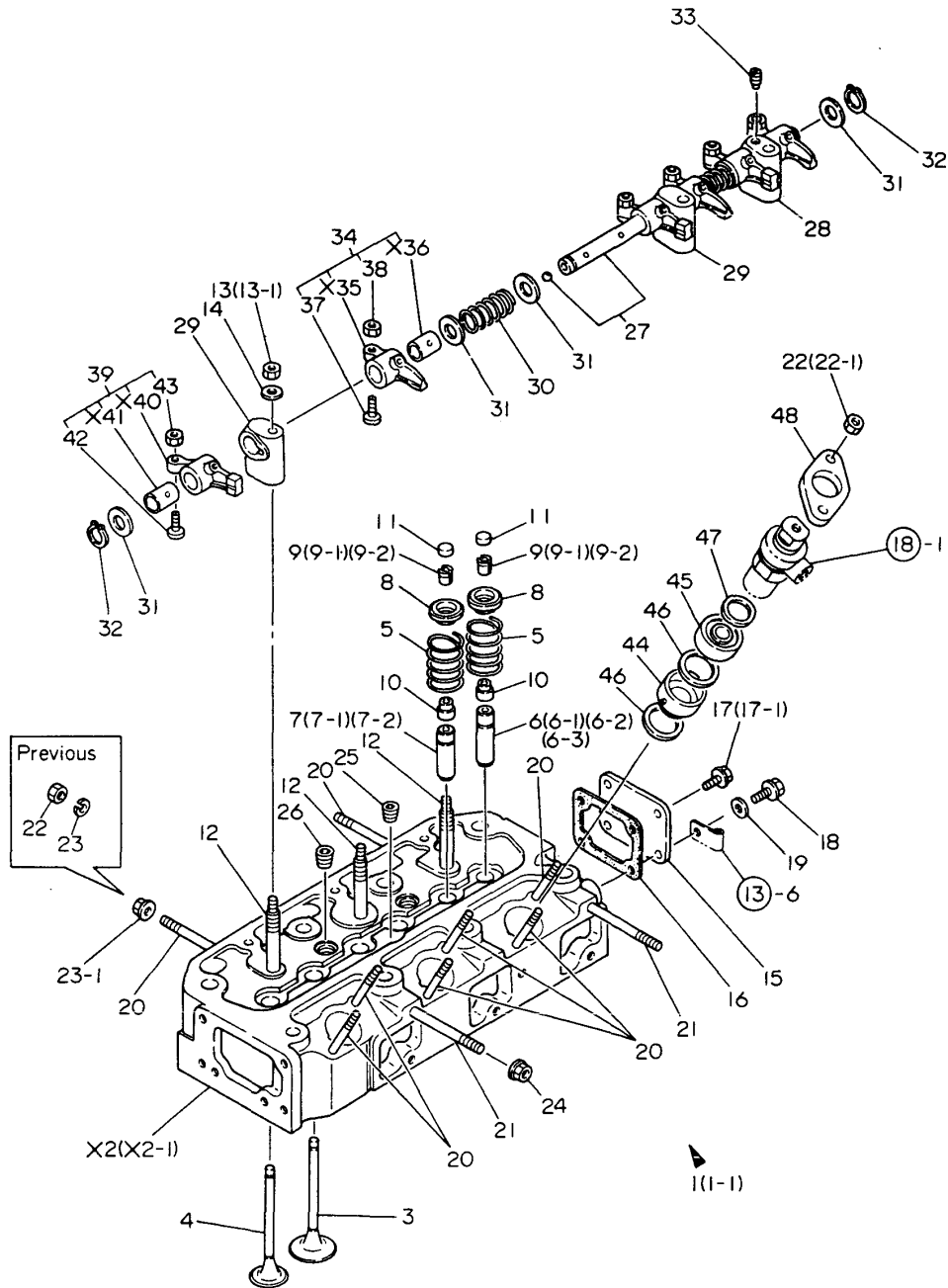
REF.	LEV.	PARTS NO.	DESCRIPTION	QTY						I	R
				(A)	(B)	(C)	(D)	(E)	(F)		
1	1	729354-11700-Z	HEAD ASSY, CYLINDER	1	1						
1-1	1	729354-11701-Z (A=*1981.)	HEAD ASSY, CYLINDER (B=*1981.)	1	1	1					N
3	2	129350-11100	VALVE, SUCTION	3	3	3					
4	2	129350-11110	VALVE, EXHAUST	3	3	3					
5	2	104511-11120	SPRING, VALVE	6	6	6					
6	2	124450-11161	GUIDE, VALVE	3	3						
6-1	2	124450-11800 (A=*)	GUIDE, VALVE (B=*)	3	3						N
6-2	2	129150-11160 (A=E/# 95898)	GUIDE, VALVE (B=E/# 95898)	3	3	3					N
6-3	2	120130-11160 (A=E/# A2243)	GUIDE, VALVE (B=E/# A2243) (C=E/# A2243)	3	3	3					N
7	2	124450-11171	GUIDE, VALVE	3	3						
7-1	2	124450-11810 (A=*)	GUIDE, VALVE (B=*)	3	3						N
7-2	2	129300-11170 (A=*1982.)	GUIDE, VALVE (B=*1982.)	3	3	3					N
7-3	2	129150-11170 (A=E/# A1453)	GUIDE, VALVE (B=E/# A1453) (C=E/# A1453)	3	3	3					N
8	2	103338-11180	RETAINER, SPRING	6	6	6					
9	2	103338-11190	COTTER 8	6	6						
9-1	2	27310-080000 (A=*)	COTTER 8 (B=*)	6	6						N
9-2	2	27310-080001 (A=*)	COTTER 8 (B=*)	6	6	6					N
10	2	124460-11340	SEAL, VALVE STEM	6	6	6					
11	2	104511-11370	CAP, VALVE	6	6	6					
12	2	105225-11350	STUD, SUPPORT	3	3	3					
13	2	26776-100002	LOCK NUT M10 PLATED	3	3						
13-1	2	26696-100002 (A=*1982.10)	NUT M10 (B=*1982.10)	3	3	3					N
14	2	22117-100000	WASHER 10	3	3	3					
15	2	121450-11670	COVER	1	1	1					
16	2	121450-11680	GASKET, COVER	1	1	1					
17	2	26116-080122	BOLT M 8X 12 PLATED	3	3						
17-1	2	26106-080122 (A=*1982.10)	BOLT M 8X 12 PLATED (B=*1982.10)	4	3	3					N
18	2	121250-01710	BOLT M 8X 14	1	1	1					
18-1	2	26106-080142 (A=E/# 95454)	BOLT M 8X 14 PLATED (B=E/# 95454) (C=E/# 95454)	1	1	1					N
19	2	22117-080000 (A=*)	WASHER 8 (B=*)	1	1						Z
20	2	26216-080652	STUD M 8X 65 PLATED	8	8	8					
21	2	26216-080702	STUD M 8X 70 PLATED	2	2	2					
22	2	26716-080002	NUT M 8	8	8						
22-1	2	121465-11950 (A=*1982.10)	NUT (B=*1982.10)	6	6	6					S
23	2	22217-080000	SPRING WASHER 8	2	2						
23-1	2	26366-080002 (A=*1982.10)	NUT M 8 (B=*1982.10)	2	2	2					S
24	2	194990-22140	NUT W/WASHER 8	2	2	2					
25	2	23873-020000	PLUG PT 1/4	1	1	1					
26	2	23873-030000	PLUG PT 3/8	2	2	2					

++ CONTINUE ++

Fig. 5 CYLINDER HEAD

Y00T2321 5. CYLINDER HEAD

(A)=3T84HA (D)=  
 (B)=3T84HA-F (E)=  
 (C)=3T84HA-S (F)=

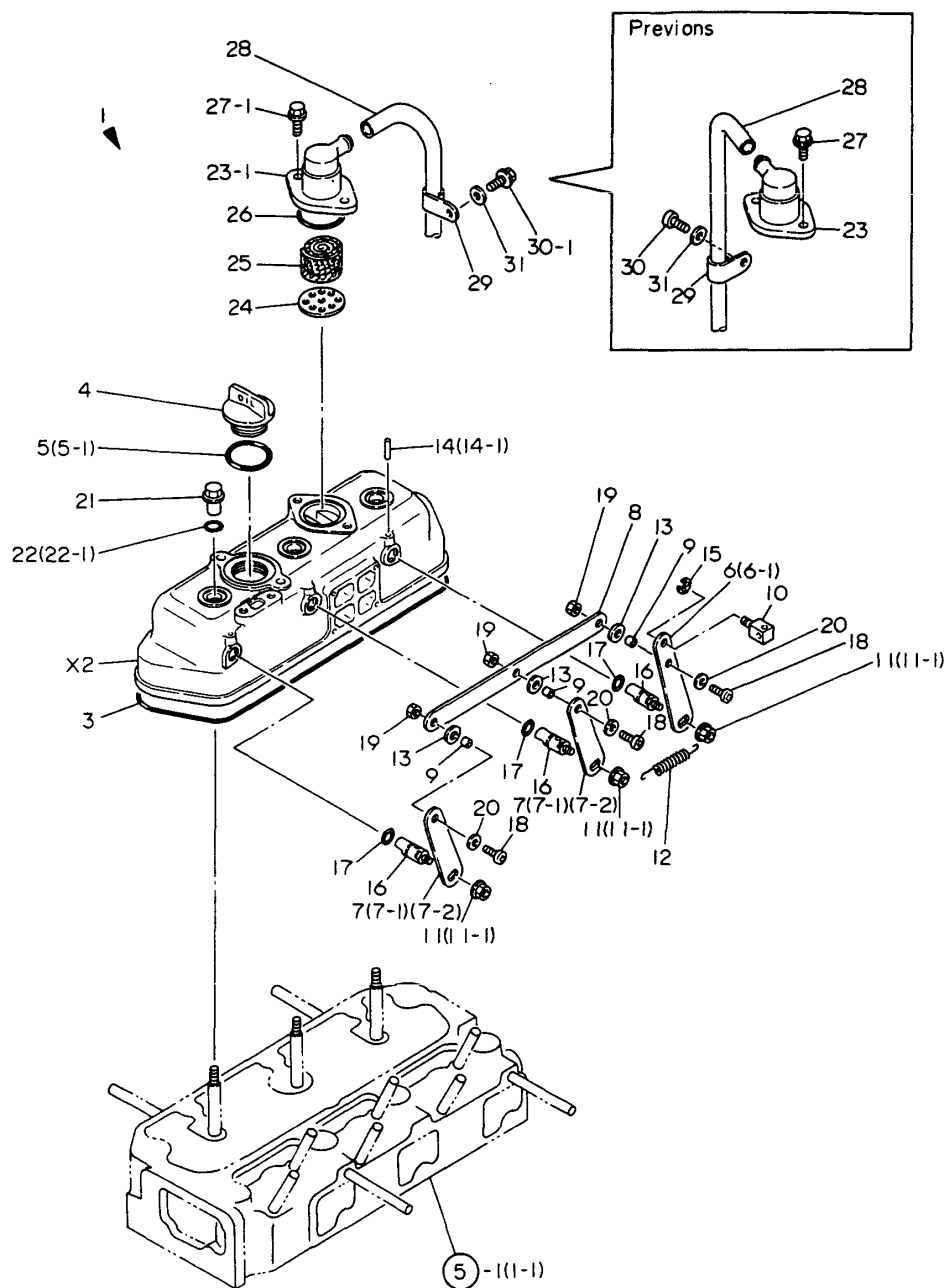


REF.	LEV.	PARTS NO.	DESCRIPTION	QTY						I	R
				(A)	(B)	(C)	(D)	(E)	(F)		
27	1	129350-11240	SHAFT, ROCKER ARM	1	1	1					
28	1	121450-11260	SUPPORT, ROCKER ARM	1	1	1					
29	1	121450-11270	SUPPORT, ROCKER ARM	2	2	2					
30	1	121550-11280	SPRING	2	2	2					
31	1	121550-11290	WASHER	6	6	6					
32	1	22242-000140	CIRCLIP 14	2	2	2					
33	1	26921-080102	SETSCREW	1	1	1					
34	1	729350-11650	ARM, VALVE ROCKER	3	3	3					
37	2	101158-11230	SCREW, VALVE	3	3	3					
38	2	26756-080002	LOCK NUT M 8 PLATED	3	3	3					
39	1	729350-11660	ARM ASSY, ROCKER	3	3	3					
42	2	101158-11230	SCREW, VALVE	3	3	3					
43	2	26756-080002	LOCK NUT M 8 PLATED	3	3	3					
44	1	129350-11400	CHAMBER, FRONT	3	3	3					
45	1	129350-11410	CHAMBER, REAR	3	3	3					
46	1	101704-11450	GASKET, CHAMBER	6	6	6					
47	1	103854-11490	INSULATOR	3	3	3					
48	1	101147-11900	FLANGE	3	3	3					



Fig. 6 BONNET & AIR BREATHER

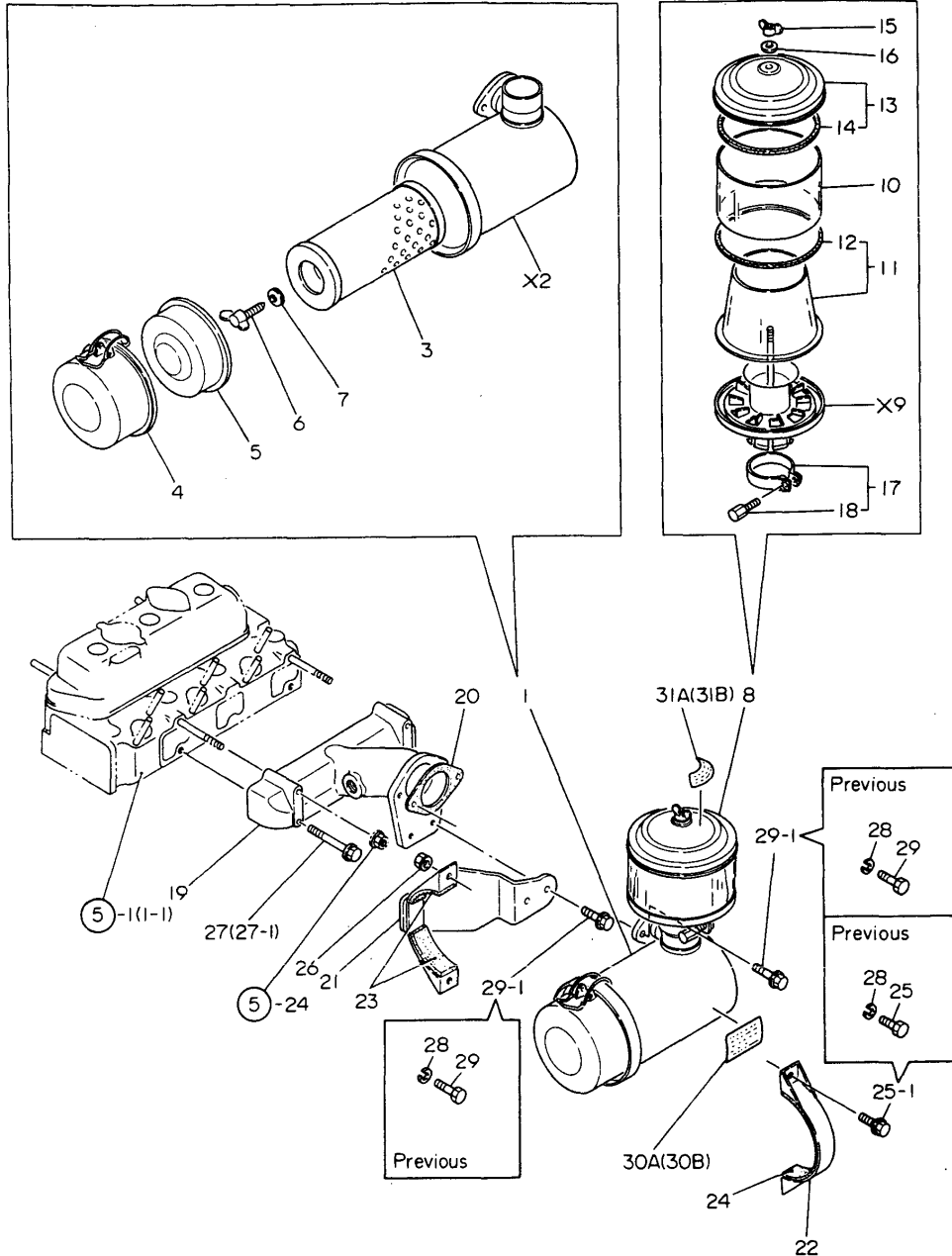
(A)=3T84HA (D)=  
 (B)=3T84HA-F (E)=  
 (C)=3T84HA-S (F)=



REF.	LEV.	PARTS NO.	DESCRIPTION	QTY						I	R
				(A)	(B)	(C)	(D)	(E)	(F)		
1	1	729350-11520-Z	BONNET ASSY, HEAD	1	1	1					
3	2	129350-11310	GASKET, BONNET	1	1	1					
4	2	124160-01751	CAP, LUB.OIL SUPPLY	1	1	1					
5	2	121420-01760	O-RING	1	1						
5-1	2	24311-000320	O-RING 1A P-32.0	1	1	1					N
		(A=E/# 99460) (B=E/# 99460)									
6	2	129350-03740	SHAFT, DECOMPRESSION	1	1						
6-1	2	124970-03740	LEVER, DECOMPRESSION	1	1	1					R
		(A=*1982.) (B=*1982.)									
7	2	121462-03740	LEVER, DECOMPRESSION	2							
7-1	2	129350-03750	LEVER, DECOMPRESSION	2	2						R
		(A=*)									
7-2	2	121462-03740	LEVER, DECOMPRESSION	2	2	2					R
		(A=*1980.) (B=*1980.)									
8	2	129350-03760	CONNECTOR	1	1	1					
9	2	121450-03770	COLLAR	3	3	3					
10	2	121250-03783	FITTING	1	1	1					
11	2	160260-01800	NUT	3	3						
11-1	2	26366-060002	NUT M 6	3	3	3					R
		(A=*) (B=*)									
12	2	104104-67300	SPRING, RETURN	1	1	1					
13	2	23418-080000	GASKET 8	3	3	3					
14	2	22312-030180	PARALLEL PIN 3X18	3	3						
14-1	2	22312-030180	PARALLEL PIN 3X18	2	2	2					K
		(A=*1982.) (B=*1982.)									
15	2	22272-000060	CIRCLIP E- 6	1	1	1					
16	2	121450-03610	SHAFT, DECOMPRESSION	3	3	3					
17	2	24311-000070	O-RING 1A P-7.0	3	3	3					
18	2	26557-050122	SCREW M 5X 12	3	3	3					
19	2	26756-050002	LOCK NUT M 5 PLATED	3	3	3					
20	2	22117-050000	WASHER 5	3	3	3					
21	1	124160-11360	KNOB	3	3	3					
22	1	24311-000140	O-RING 1A P-14.0	3	3						
22-1	1	24311-000120	O-RING 1A P 12.0	3	3	3					R
		(A=*) (B=*)									
23	1	121450-03011	BODY (A), BREATHER	1	1						
23-1	1	121450-03012	BODY (A), BREATHER	1	1	1					N
		(A=*1982.) (B=*1982.)									
24	1	121450-03020	BODY (B), BREATHER	1	1	1					
25	1	121450-03030	STEEL WOOLPD24W28T18	1	1	1					
26	1	24341-000400	O-RING 1A S-40.0	1	1	1					
27	1	121250-01710	BOLT M8X14	2	2						
27-1	1	26106-080162	BOLT M 8X 16 PLATED	2	2	2					N
		(A=E/# 95454) (B=E/# 95454)									
28	1	23065-130650	PIPE 13X 650	1	1	1					
29	1	124160-01650	CLAMP	1	1	1					
30	1	26557-080102	SCREW M 8X 10	1	1						
30-1	1	26106-080102	BOLT M 8X 10 PLATED	1	1	1					N
		(A=E/# 95454) (B=E/# 95454)									
31	1	22117-080000	WASHER 8	1	1	1					

Fig. 7 AIR CLEANER

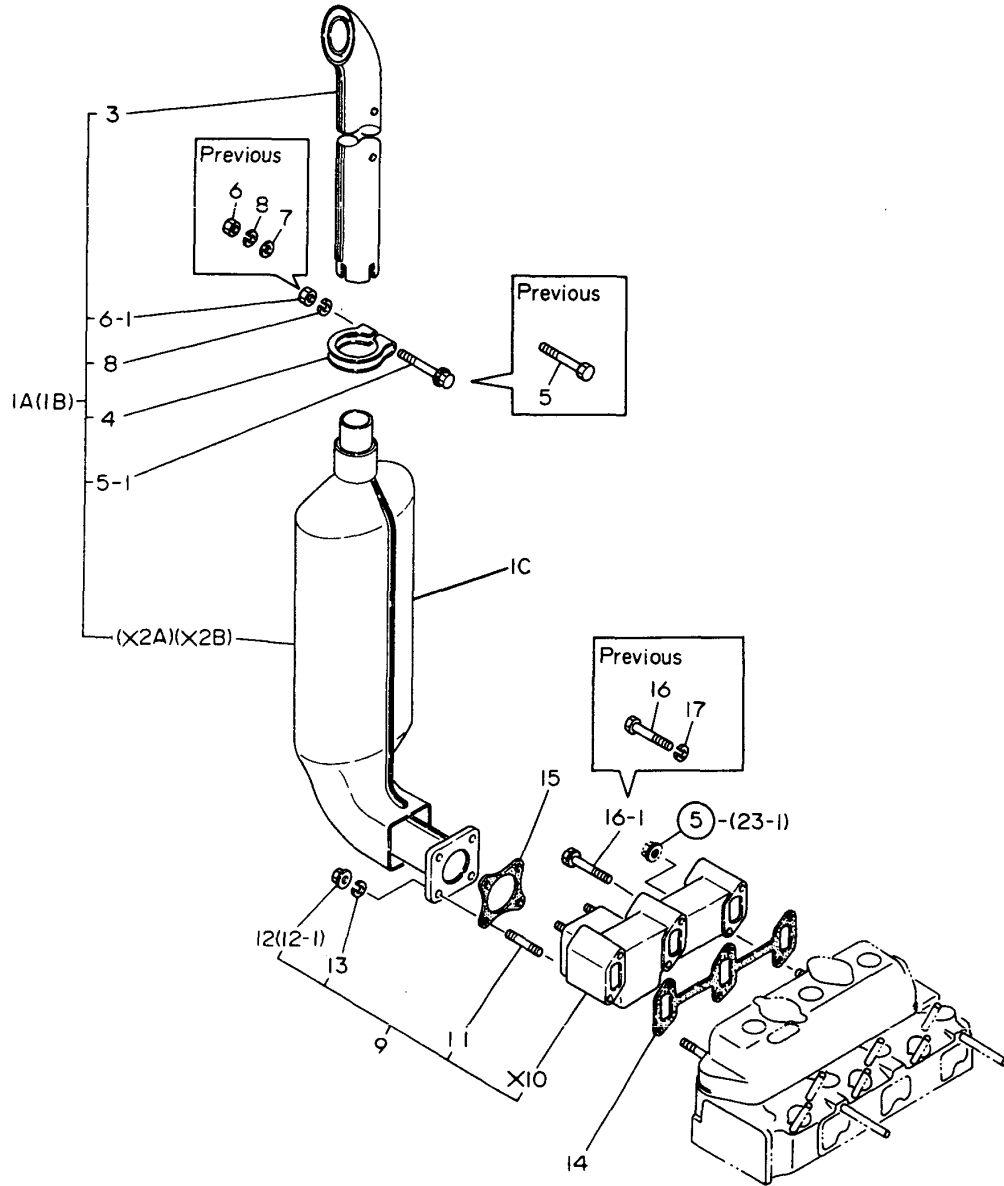
(A)=3T84HA (D)=  
 (B)=3T84HA-F (E)=  
 (C)=3T84HA-S (F)=



REF.	LEV.	PARTS NO.	DESCRIPTION	QTY						I	R
				(A)	(B)	(C)	(D)	(E)	(F)		
1	1	121253-12300	CLEANER, AIR	1	1	1					
3	2	121253-12510	ELEMENT, AIR CLEANER	1	1	1					
4	2	121253-12530	PAN ASSY, DUST	1	1	1					
5	2	121120-12540	BAFFLE, AIR CLEANER	1	1	1					
6	2	121120-12560	WING BOLT	1	1	1					
7	2	121120-12570	SEAL WASHER	1	1	1					
8	1	124064-12400	PRE-CLEANER ASSY	1	1	1					
10	2	124064-12420	TUBE, CLEANER	1	1	1					
11	2	124064-12470	CASE W/GASKET	1	1	1					
12	3	124064-12430	GASKET, CLEANER	1	1	1					
13	2	124064-12440	COVER, PRE-CLEANER	1	1	1					
14	3	124064-12430	GASKET, CLEANER	1	1	1					
15	2	101147-12550	WING NUT	1	1	1					
16	2	124450-12571	WASHER	1	1	1					
17	2	124064-12450	CLAMP W/BOLT	1	1	1					
18	3	124064-12460	BOLT	1	1	1					
19	1	129354-12100	MANIFOLD, AIR INTAKE	1	1	1					
20	1	124767-12050	GASKET	1	1	1					
21	1	121253-12110	BRACKET, CLEANER	1	1	1					
22	1	124764-12560	BRACE (A), CLEANER	1	1	1					
23	1	124764-12570	SEAT (A), BRACE	2	2	2					
24	1	124764-12580	SEAT (B), BRACE	1	1	1					
25	1	26116-080252	BOLT M 8X 25 PLATED	2	2						
25-1	1	26106-080252	BOLT M 8X 25 PLATED	2	2						N
(A=*1982.10) (B=*1982.10)											
26	1	194990-22050	NUT W/WASHER 8	2	2	2					
27	1	26116-080652	BOLT M 8X 65 PLATED	2	2						
27-1	1	26106-080652	BOLT M 8X 65 PLATED	2	2	2					N
(A=*1982.10) (B=*1982.10)											
28	1	22217-080000	SPRING WASHER 8	6	6						Z
(A=*1982.10) (B=*1982.10)											
29	1	26116-080202	BOLT M 8X 20 PLATED	4	4						
29-1	1	26106-080182	BOLT M 8X 18 PLATED	4	4	4					N
(A=*1982.10) (B=*1982.10)											
30A	1	121454-12520	LABEL, AIR-CLEANER	1		1					
30B	1	121440-12480	LABEL, AIR CLEANER(F)			1					
31A	1	121454-12480	LABEL, PRE-CLEANER	1		1					
31B	1	121440-12520	LABEL, PRE-CLEANER(F)			1					

Fig. 8 SILENCER

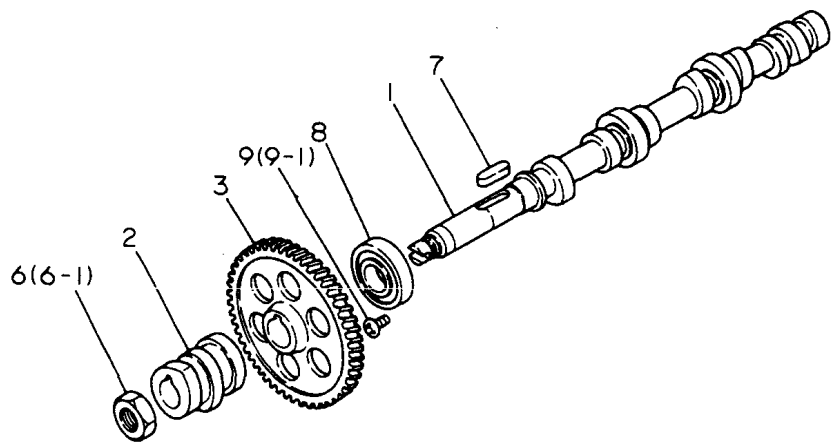
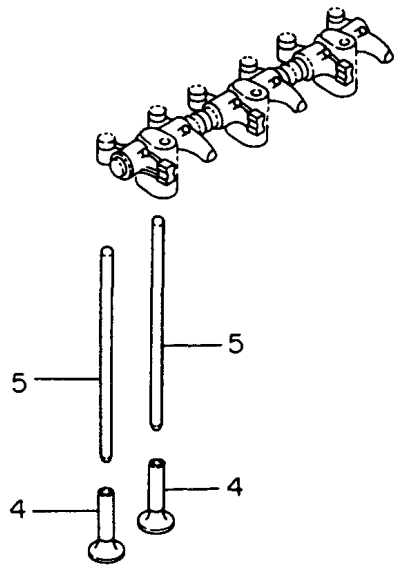
(A)=3T84HA (D)=  
 (B)=3T84HA-F (E)=  
 (C)=3T84HA-S (F)=



REF.	LEV.	PARTS NO.	DESCRIPTION	QTY						I	R
				(A)	(B)	(C)	(D)	(E)	(F)		
1A	1	129354-13490	SILENCER ASSY	1							
1B	1	129340-13490	SILENCER		1						
1C	1	129354-13500	SILENCER				1				
3	2	124465-13652	PIPE, EXHAUST	1	1						
4	2	121470-13580	CLAMP, SILENCER	1	1						
5	2	26116-100652	BOLT M10X 65 PLATED	1	1						
5-1	2	26106-100652	BOLT M10X 65 PLATED	1	1					N	
		(A=*1982.10) (B=*1982.10)									
6	2	26716-100002	NUT M10	1	1						
6-1	2	26706-100002	NUT M10	1	1					N	
		(A=*1982.10) (B=*1982.10)									
7	2	22117-100000	WASHER 10	1	1					Z	
		(A=*1982.10) (B=*1982.10)									
8	2	22217-100000	SPRING WASHER 10	1	1						
9	1	729354-13500	MANIFOLD ASSY, EXH.	1	1	1					
11	2	26216-080222	STUD M 8X 22 PLATED	4	4	4					
12	2	26716-080002	NUT M 8	4	4						
12-1	2	26366-080002	NUT M 8	4	4	4				N	
		(A=*1982.10) (B=*1982.10)									
13	2	22217-080000	SPRING WASHER 8	4	4	4					
14	1	129350-13250	GASKET	1	1	1					
14-1	1	129322-13520	GASKET	1	1	1				N	
		(A=E/# A6080) (B=E/# A6080) (C=E/# A6080)									
15	1	121450-13200	GASKET, SILENCER	1	1	1					
16	1	26116-080652	BOLT M 8X 65 PLATED	4	4						
16-1	1	121465-13652	BOLT M 8X 65	4	4	4				N	
		(A=E/# 95898) (B=E/# 95898)									
17	1	22217-080000	SPRING WASHER 8	4	4					Z	
		(A=E/# 95898) (B=E/# 95898)									

Fig. 9 CAMSHAFT

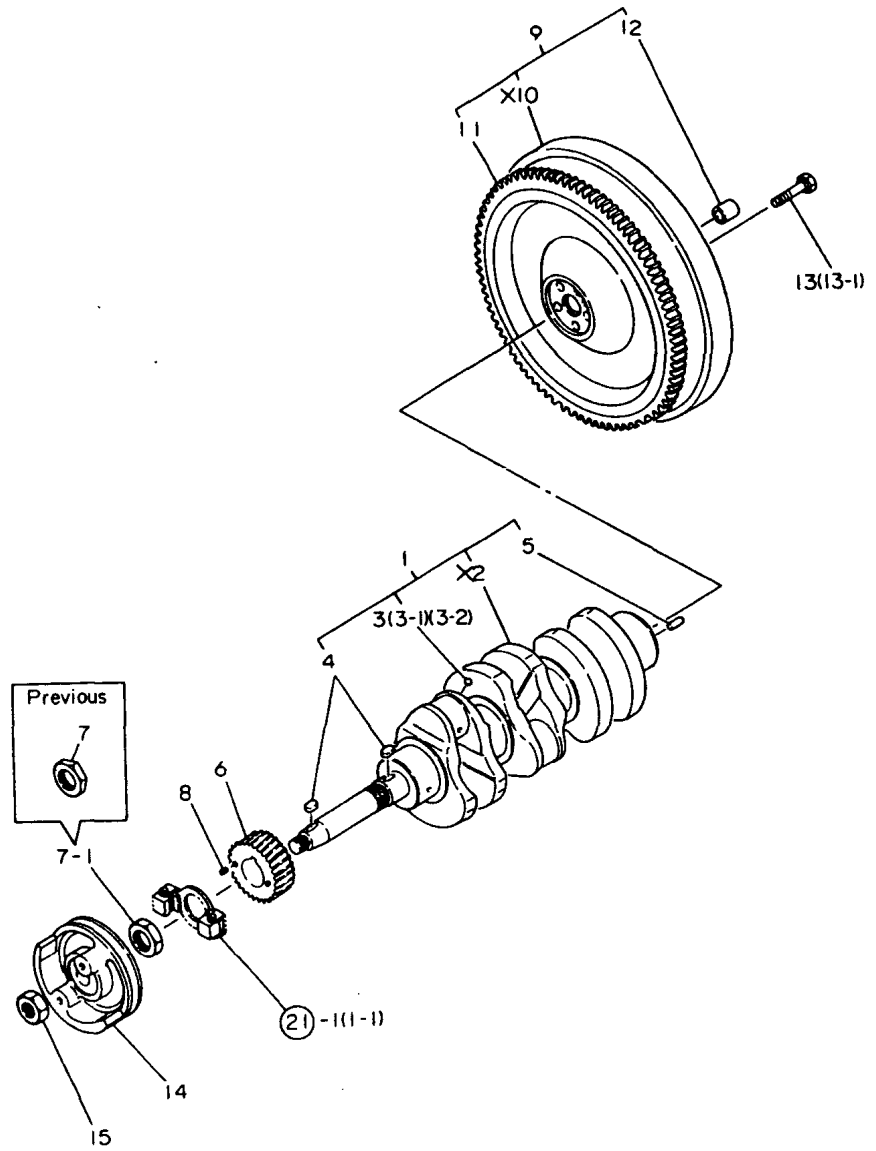
(A)=3T84HA (D)=  
 (B)=3T84HA-F (E)=  
 (C)=3T84HA-S (F)=



REF.	LEV.	PARTS NO.	DESCRIPTION	QTY						I	R
				(A)	(B)	(C)	(D)	(E)	(F)		
1	1	129350-14010	CAMSHAFT	1	1	1					
2	1	121450-14090	CAM, FUEL	1	1	1					
3	1	121023-14100	GEAR, CAMSHAFT	1	1	1					
4	1	104200-14200	TAPPET	6	6	6					
5	1	129350-14400	ROD, PUSH	6	6	6					
6	1	104300-76460	NUT	1	1						
6-1	1	121450-14120	NUT, CAMSHAFT GEAR	1	1	1					N
		(A=*1981.)	(B=*1981.)								
7	1	22512-070300	KEY 7X 30	1	1	1					
8	1	24101-062054	BEARING #6205	1	1	1					
9	1	26587-080122	SCREW M 8X 12	1	1						
9-1	1	26587-080102	SCREW M 8X 10	1	1	1					N
		(A=*)	(B=*)								

Fig. 10 CRANKSHAFT & FLYWHEEL

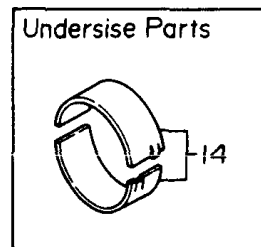
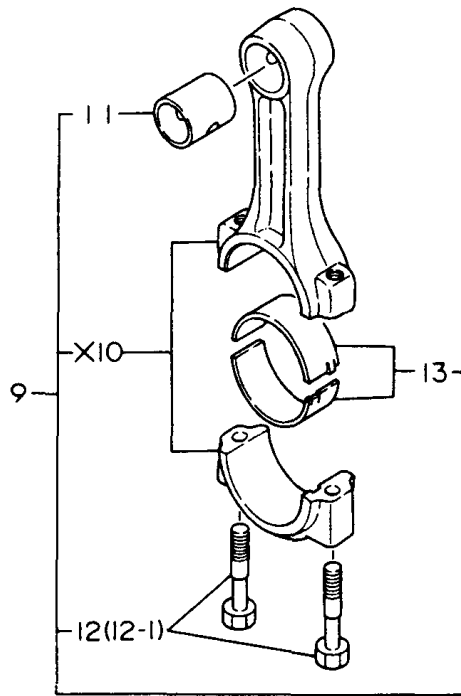
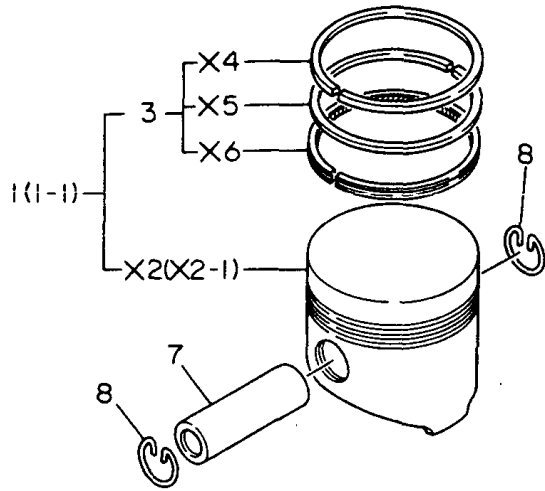
(A)=3T84HA (D)=  
 (B)=3T84HA-F (E)=  
 (C)=3T84HA-S (F)=



REF.	LEV.	PARTS NO.	DESCRIPTION	QTY						I	R
				(A)	(B)	(C)	(D)	(E)	(F)		
1	1	729350-21700	CRANKSHAFT ASSY	1	1	1					
3	2	27221-060100	PLUG 6X10	1							
3-1	2	27221-060140	PLUG 6X14	1	1						N
3-2	(A=*) 2 (A=*1981.)	24190-080001 (B=*1981.)	BALL 1/4, STEEL	3	3	3					N
4	2	22512-070180	KEY 7X 18	2	2	2					
5	2	22312-080160	PARALLEL PIN 8X 16	1	1	1					
6	1	121023-21200	GEAR, CRANKSHAFT	1	1	1					
7	1	121450-21540	NUT,CRANK SHAFT GEAR	1	1						S
7-1	1	121450-21541 (A=*1982.06)	NUT,CRANK SHAFT GEAR (B=*1982.06)	1	1	1					1
8	1	22351-040008	SPRING PIN 4X 8	2	2	2					
9	1	129350-21591	FLYWHEEL W/RING GEAR	1	1	1					
11	2	129350-21600	GEAR, RING	1	1	1					
12	2	124450-21230	BUSH, PILOT	1	1	1					
13	1	105225-21500	BOLT, REAMER	5	5						
13-1	1	105225-21501	BOLT, FLYWHEEL	5	5	5					N
14	1	129350-21650 (A=E/# 95898)	V-PULLEY (B=E/# 95898)	1	1	1					
15	1	26776-180002	NUT M18,LOCK	1	1	1					

Fig. 11 PISTON & CONNECTING ROD

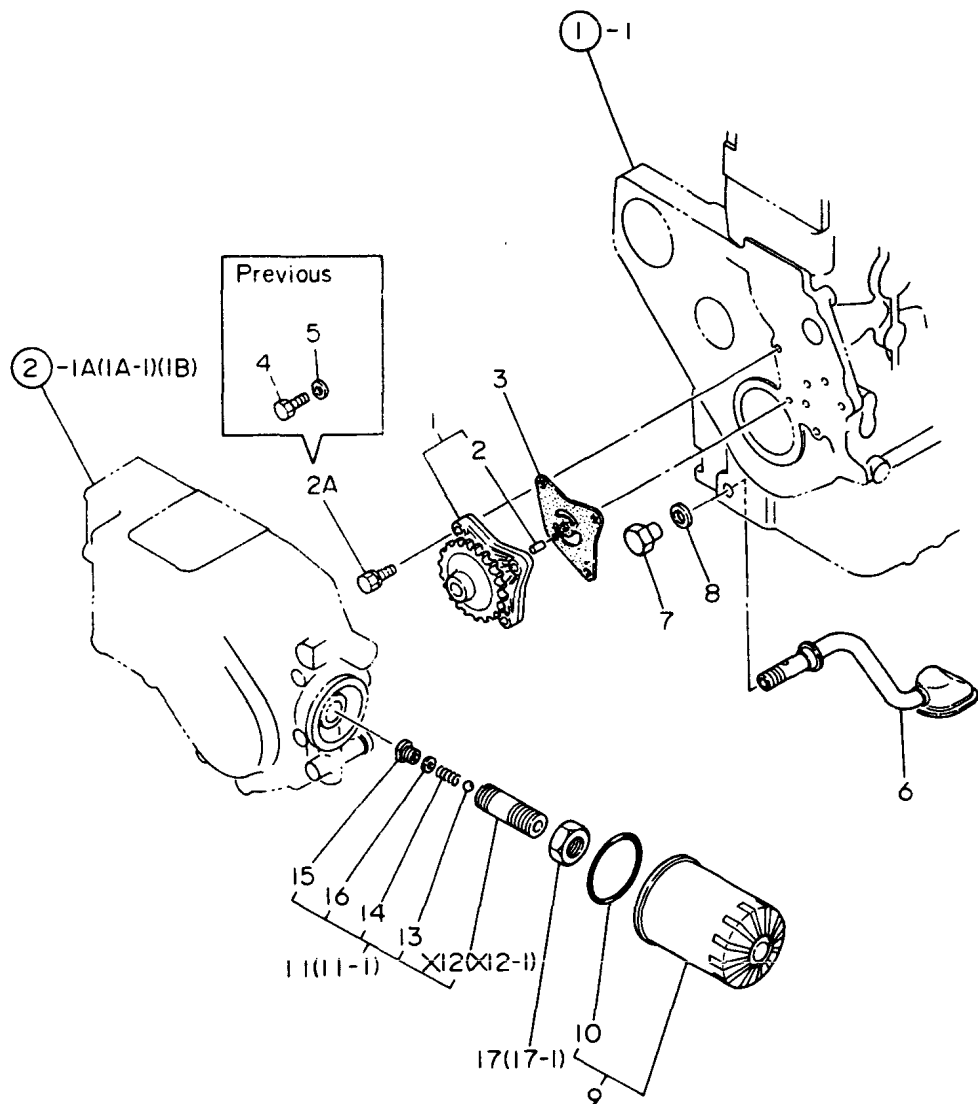
(A)=3T84HA (D)=  
 (B)=3T84HA-F (E)=  
 (C)=3T84HA-S (F)=



REF.	LEV.	PARTS NO.	DESCRIPTION	QTY						I	R
				(A)	(B)	(C)	(D)	(E)	(F)		
1	1	129350-22090	PISTON W/RINGS	3	3						
1-1	1	129367-22090	PISTON W/RINGS	3	3	3					N
		(A=*1981.) (B=*1981.)									
3	2	729350-22500	RING SET	3	3	3					
7	1	103338-22300	PIN, PISTON	3	3	3					
8	1	103338-22400	CIRCLIP	6	6	6					
9	1	729350-23100	ROD ASSY, CONNECTING	3	3	3					
11	2	129350-23100	BUSH, PISTON PIN	3	3	3					
12	2	124060-23201	BOLT, ROD	6	6						
12-1	2	104500-23201	BOLT, ROD	6	6	6					N
		(A=*1981.) (B=*1981.)									
13	2	724060-23600	BEARING, CRANKPIN	3	3	3					
14	1	724064-23610	BEARING, PIN U.S=0.25	3	3	3					1

Fig. 12 LUBRICATING OIL PUMP

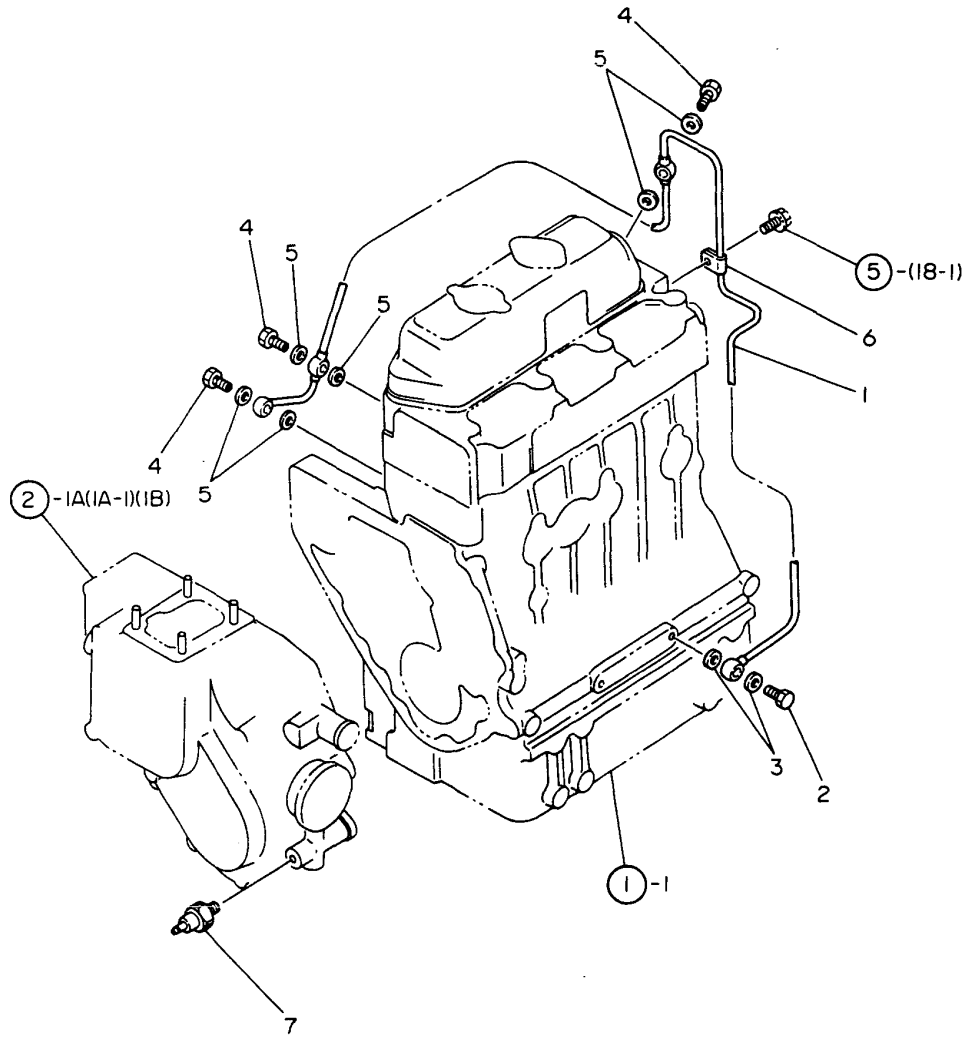
(A)=3T84HA (D)=  
 (B)=3T84HA-F (E)=  
 (C)=3T84HA-S (F)=



REF.	LEV.	PARTS NO.	DESCRIPTION	QTY						I	R
				(A)	(B)	(C)	(D)	(E)	(F)		
1	1	129350-32090	PUMP ASSY, LUB. OIL	1	1						
1-1	1	729350-32100	PUMP ASSY, LUB. OIL	1	1	1					N
		(A=E/# 95454) (B=E/# 95454)									
2	2	121450-32050	PARALLEL PIN	1	1	1					
2A	2	26013-060222	BOLT M 6X 22	3	3	3					W
		(A=E/# 95454) (B=E/# 95454)									
2B	2	26756-060002	LOCK NUT M 6 PLATED	3	3	3					W
		(A=E/# 95454) (B=E/# 95454)									
3	1	121450-32021	GASKET, L.O.PUMP	1	1	1					
4	1	26116-060222	BOLT M 6X 22 PLATED	3	3						Z
		(A=E/# 95454) (B=E/# 95454)									
5	1	22117-060000	WASHER 6	3	3						Z
		(A=E/# 95454) (B=E/# 95454)									
6	1	129350-35090	PIPE, OIL INLET	1	1	1					
7	1	121550-35100	CAP NUT	1	1	1					
8	1	121550-35110	GASKET 18	1	1	1					
9	1	124550-35110	ELEMENT, LUB. OIL	1	1	1					
10	2	124450-35110	O-RING, L.O.STRAINER	1	1	1					
11	1	121250-35300	VALVE ASSY, CONTROL	1							
11-1	1	124085-35300	VALVE ASSY, CONTROL	1	1	1					N
		(A=*1980.)									
13	2	24190-100001	BALL 5/16, STEEL	1	1	1					
14	2	121250-35320	SPRING	1	1	1					
15	2	121250-35330	RETAINER	1	1	1					
16	2	121250-35340	SHIM	1	1	1					
17	1	124450-35350	NUT	1	1						
17-1	1	124085-35350	LOCK NUT M20	1	1	1					N
		(A=*1981.) (B=*1981.)									

Fig. 13 LUBRICATING OIL LINES

(A)=3T84HA (D)=  
 (B)=3T84HA-F (E)=  
 (C)=3T84HA-S (F)=

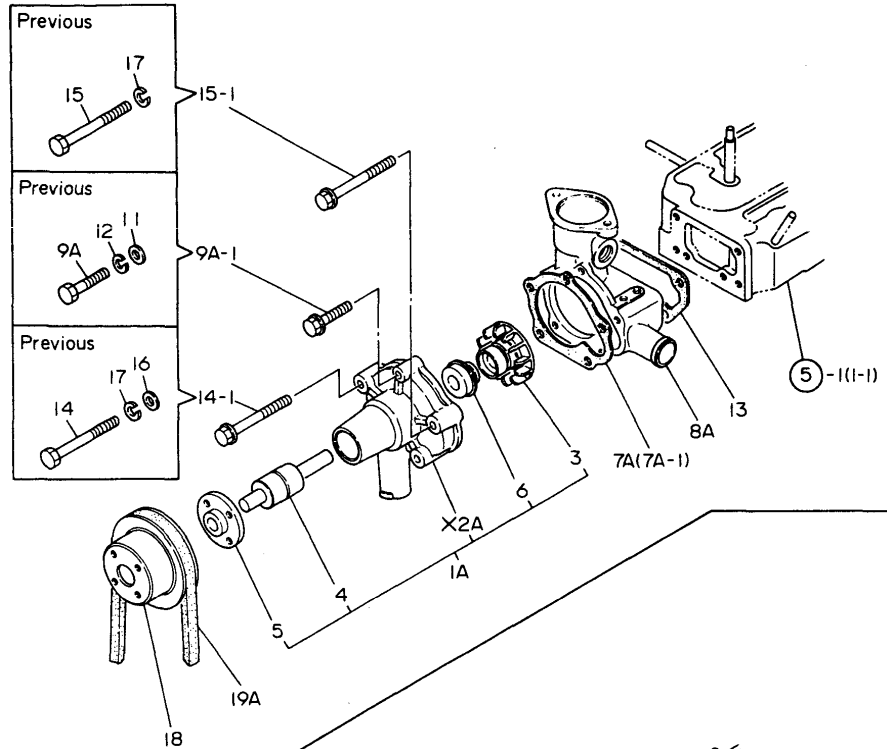


REF.	LEV.	PARTS NO.	DESCRIPTION	QTY						I	R
				(A)	(B)	(C)	(D)	(E)	(F)		
1	1	129350-39200	PIPE, LUB OIL	1	1	1					
2	1	124160-39140	JOINT BOLT 10	1	1	1					
3	1	23414-100000	GASKET 10, ROUND	2	2	2					
4	1	124550-59820	BOLT 8, PIPE JOINT	3	3	3					
5	1	23414-080000	GASKET 8, ROUND	6	6	6					
6	1	124450-39240	RETAINER, PIPE	1	1	1					
7	1	124160-39450	SWITCH, OIL PRESSURE	1	1	1					

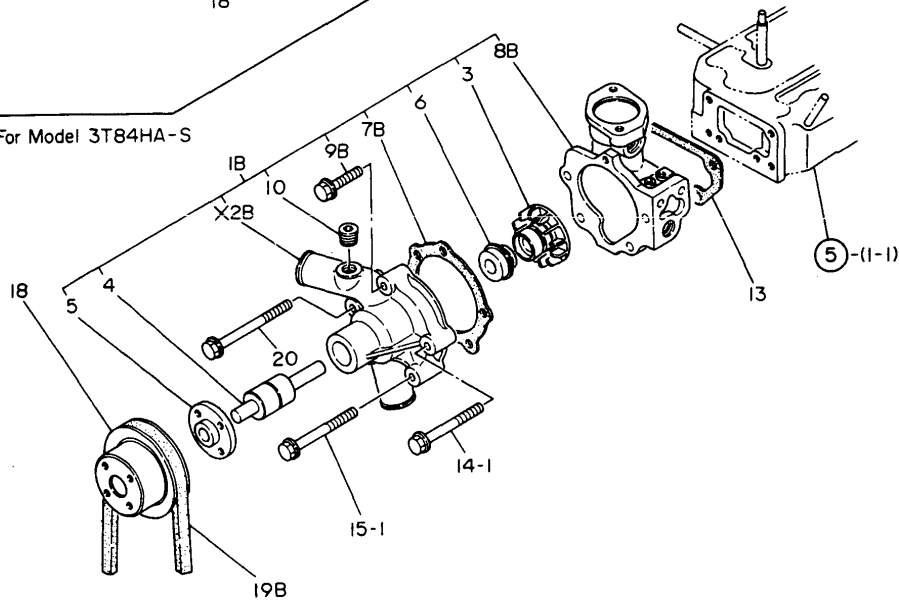


Fig. 14 COOLING WATER PUMP

(A)=3T84HA (D)=  
 (B)=3T84HA-F (E)=  
 (C)=3T84HA-S (F)=

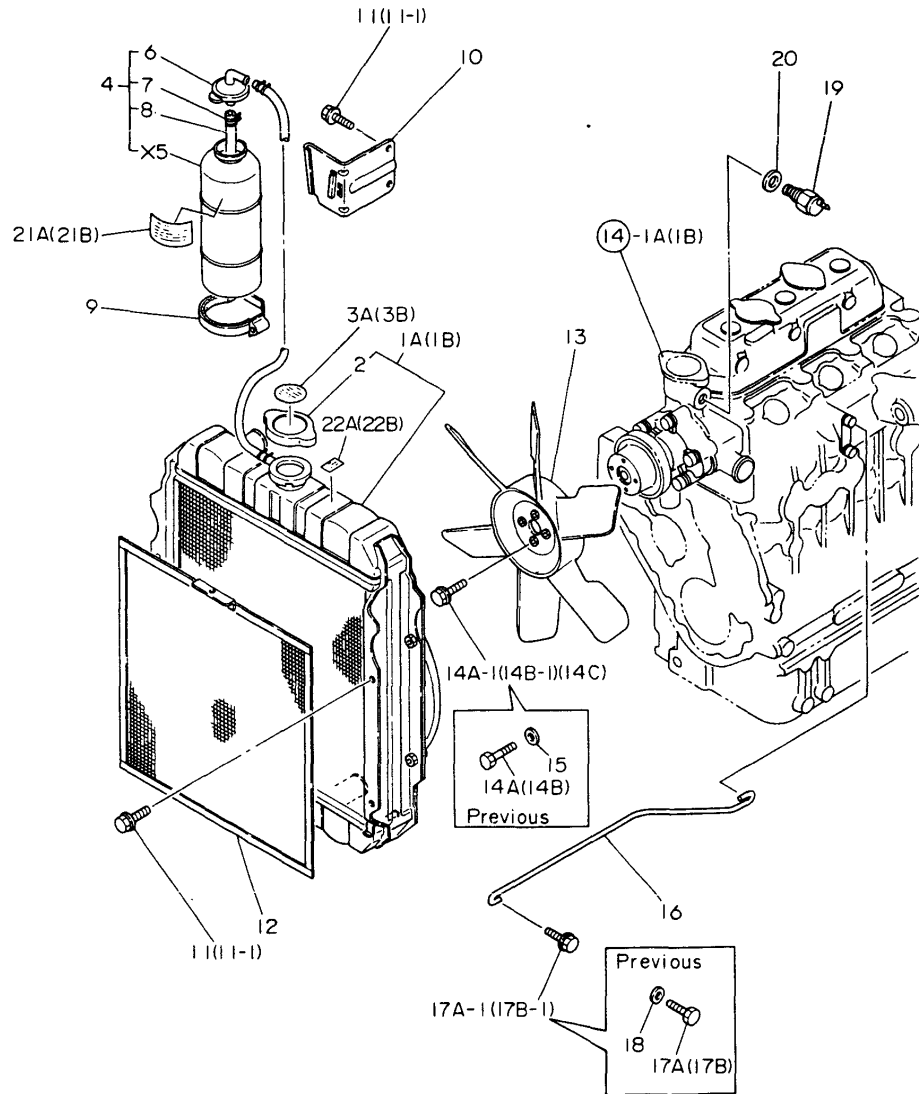


For Model 3T84HA-S



REF.	LEV.	PARTS NO.	DESCRIPTION	QTY						I	R
				(A)	(B)	(C)	(D)	(E)	(F)		
1A	1	121023-42100	PUMP ASSY, C. WATER	1	1						
1B	1	121000-42010	PUMP ASSY, C. WATER			1					
3	2	129350-42200	IMPELLER	1	1	1					
4	2	121450-42240	SHAFT, IMPELLER	1	1	1					
5	2	121450-42260	FLANGE, V-PULLEY	1	1	1					
6	2	121450-42310	SEAL, MECHANICAL	1	1	1					
7A	1	121450-42050	GASKET	1	1						
7A-1	1	121023-42051	GASKET	1	1						N
		(A=*1981.) (B=*1981.)									
7B	2	121000-42051	GASKET, C.W.PUMP					1			
8A	1	121454-42120	BRACKET, C.W. PUMP	1	1						
8B	2	121000-42120	BRACKET, C.W. PUMP			1					
9A	1	26116-060352	BOLT M 6X 35 PLATED	1	1						
9A-1	1	26106-060322	BOLT M 6X 32 PLATED	1	1						N
		(A=E/# 95454) (B=E/# 95454)									
9B	2	26106-060322	BOLT M 6X 32 PLATED					1			
10	2	23871-030000	PLUG PT3/8,SCREW					1			
11	1	22117-060000	WASHER 6		1	1					Z
		(A=E/# 95454) (B=E/# 95454)									
12	1	22217-060000	SPRING WASHER 6	1	1						Z
		(A=E/# 95454) (B=E/# 95454)									
13	1	121450-44410	GASKET, BRACKET	1	1	1					
14	1	26116-080852	BOLT M 8X 85 PLATED	3	3						
14-1	1	26106-080822	BOLT M 8X 82 PLATED	3	3	2					N
		(A=E/# 95454) (B=E/# 95454)									
15	1	26116-080902	BOLT M 8X 90 PLATED	1	1						
15-1	1	26106-080872	BOLT M 8X 87 PLATED	1	1	1					N
		(A=E/# 95454) (B=E/# 95454)									
16	1	22117-080000	WASHER 8	3	3						Z
		(A=E/# 95454) (B=E/# 95454)									
17	1	22217-080000	SPRING WASHER 8	4	4						Z
		(A=E/# 95454) (B=E/# 95454)									
18	1	121450-42350	V-PULLEY, C.W. PUMP	1	1	1					
19A	1	124732-42290	V-BELT (A-37)	1	1						
19B	1	121492-42290	V-BELT (A-38)			1					
20	1	26106-081052	BOLT M 8X105 PLATED			1					

Fig. 15 RADIATOR



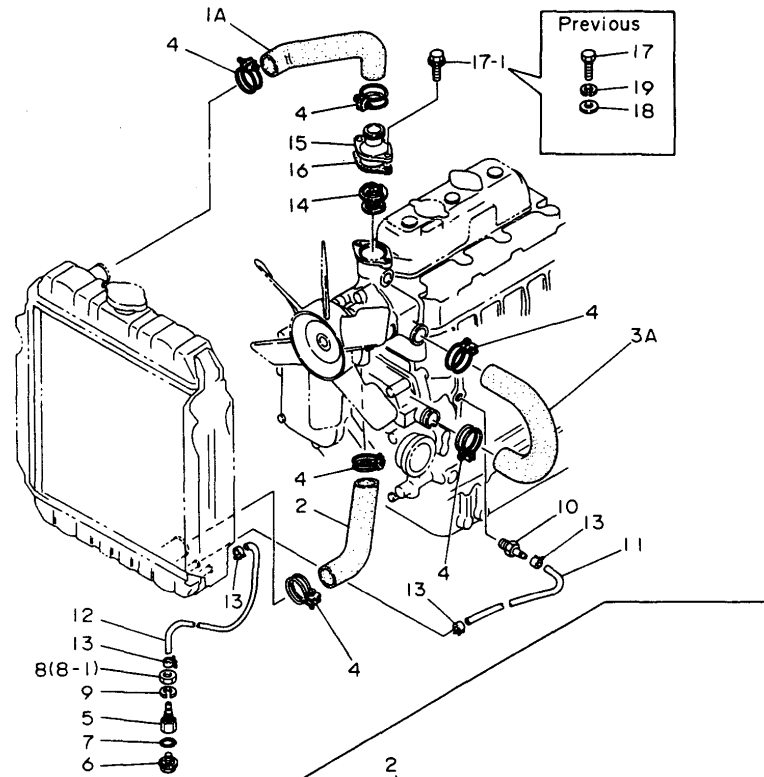
Y00T2321 15. RADIATOR

(A)=3T84HA (D)=  
 (B)=3T84HA-F (E)=  
 (C)=3T84HA-S (F)=

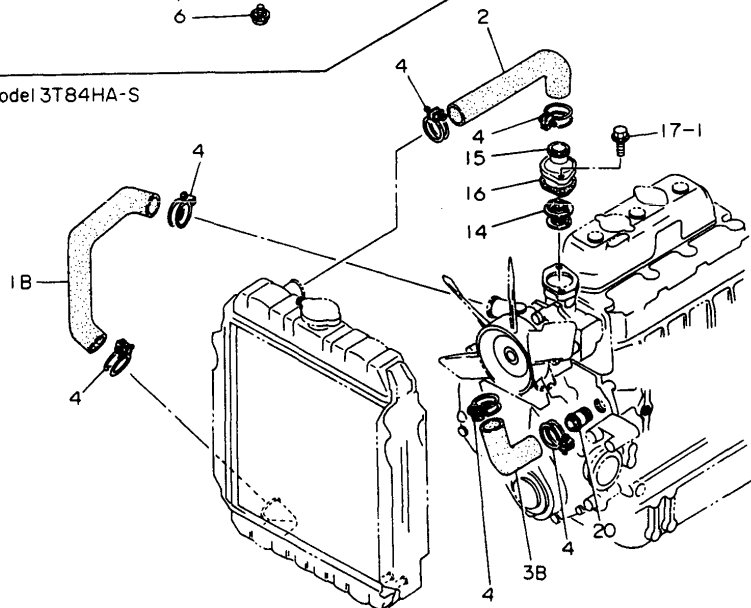
REF.	LEV.	PARTS NO.	DESCRIPTION	QTY						I	R
				(A)	(B)	(C)	(D)	(E)	(F)		
1A	1	129354-44500	RADIATOR	1	1						
1B	1	129354-44510	RADIATOR ASSY			1					
2	2	124450-44590	CAP	1	1	1					
3A	1	124764-44800	LABEL, RADIATOR	1		1					
3B	1	124740-44800	LABEL, RADIATOR		1						
4	1	121252-44510	TANK ASSY, RESERVOIR	1	1	1					
6	2	121450-44530	CAP, RESERVOIR TANK	1	1	1					
7	2	124450-44560	CLAMP	1	1	1					
8	2	23061-070230	PIPE 7X 230	1	1	1					
9	1	124450-44550	CLAMP, SUB-TANK	1	1	1					
10	1	124767-44600	BRACKET, RESERVOIR	1	1	1					
11	1	26116-080122	BOLT M 8X 12 PLATED	6	6						
11-1	1	26106-080122	BOLT M 8X 12 PLATED	6	6	6					N
		(A=*1982.10) (B=*1982.10)									
12	1	121250-44581	SCREEN, RADIATOR	1	1	1					
13	1	129354-44740	FAN, COOLING	1	1	1					
14A	1	26116-060162	BOLT M 6X 16 PLATED	4							
14A-1	1	26014-060182	BOLT M 6X 18	4							N
		(A=E/# 97814)									
14B	1	26116-060162	BOLT M 6X 16 PLATED		4						
14B-1	1	26106-060142	BOLT M 6X 14 PLATED		4						N
		(B=E/# 95454)									
14C	1	26014-060302	BOLT W/WASHER 6X 30				4				
15	1	22117-060000	WASHER 6		4	4					Z
		(A=*1982.10) (B=*1982.10)									
16	1	129354-44610	STAY, RADIATOR	1	1	1					
17A	1	26116-080162	BOLT M 8X 16 PLATED	1							
17A-1	1	26106-080162	BOLT M 8X 16 PLATED	1		1					N
		(A=E/# 95454)									
17B	1	26116-080162	BOLT M 8X 16 PLATED		1						
17B-1	1	26106-080142	BOLT M 8X 14 PLATED		1						N
		(B=*1982.10)									
18	1	22117-080000	WASHER 8		1	1					Z
		(A=*1982.10) (B=*1982.10)									
19	1	121250-44901	SWITCH, THERMO(110 C	1	1	1					
20	1	124465-44950	GASKET 16	1	1	1					
21A	1	124764-44810	LABEL, RESERVE TANK	1		1					
21B	1	124740-44810	LABEL, SUB-TANK		1						
22A	1	124764-44920	LABEL, ANTI-FREEZING	1		1					
22B	1	124740-44920	LABEL, ANTI-FREEZING		1						

Fig. 16 COOLING WATER LINES

(A)=3T84HA (D)=  
 (B)=3T84HA-F (E)=  
 (C)=3T84HA-S (F)=



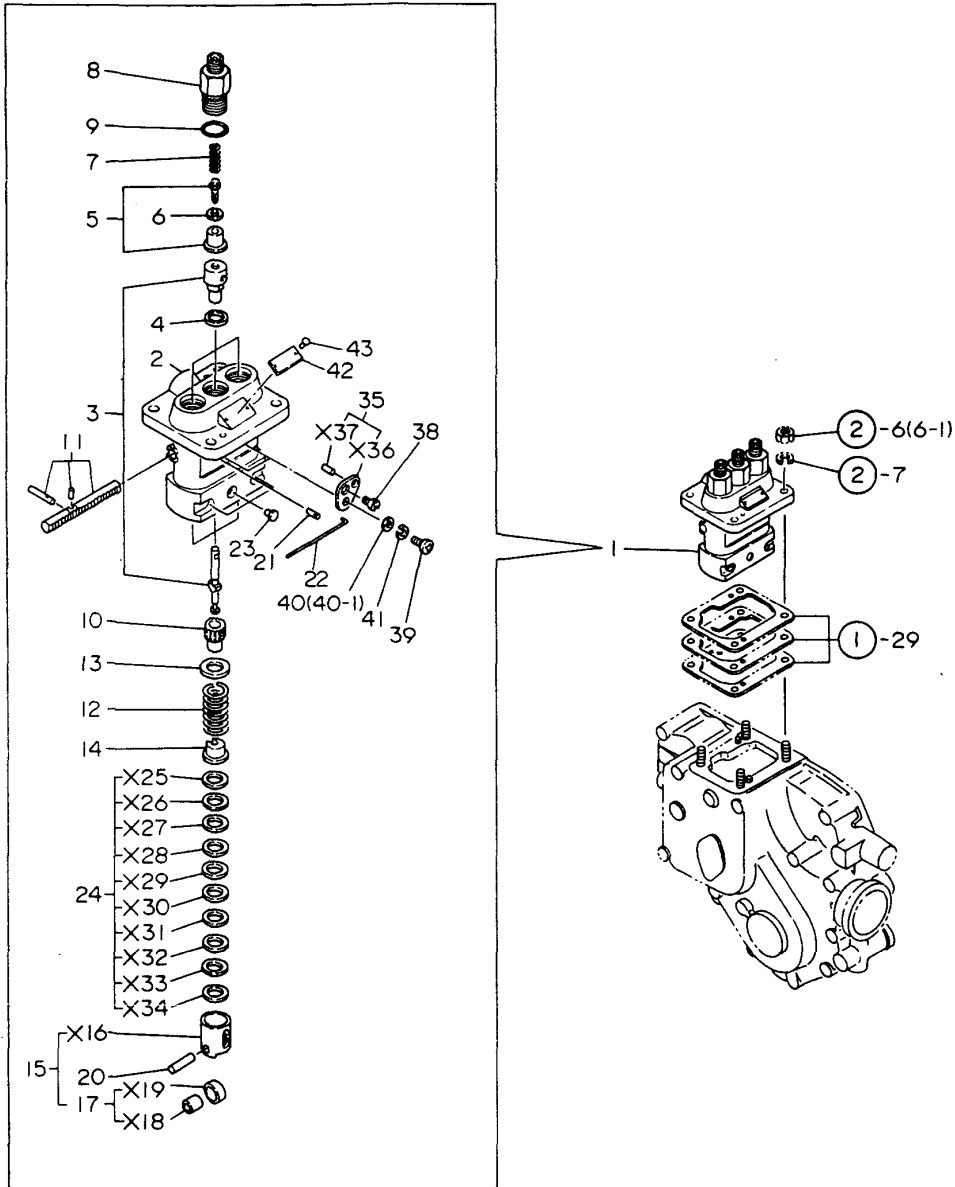
For Model 3T84HA-S



REF.	LEV.	PARTS NO.	DESCRIPTION	QTY						I	R
				(A)	(B)	(C)	(D)	(E)	(F)		
1A	1	129350-49010	PIPE, COOLING WATER	1	1						
1B	1	129354-49021	PIPE(B), C. WATER			1					
2	1	129354-49010	PIPE, COOLING WATER	1	1	1					
3A	1	121550-49030	PIPE (C), C. WATER	1	1						
3B	1	121252-49030	PIPE (C), C. WATER			1					
4	1	23010-038000	CLAMP 38	6	6	6					
5	1	129350-49130	BODY, DRAIN COCK	1	1	1					
6	1	129350-49120	PLUG, WATER DRAIN	1	1	1					
7	1	24311-000120	O-RING 1A P 12.0	1	1	1					
8	1	26776-100002	LOCK NUT M10 PLATED	1	1						
8-1	1	26696-100002	NUT M10	1	1	1					N
		(A=*1982.10) (B=*1982.10)									
9	1	22217-100000	SPRING WASHER 10	1	1						Z
		(A=*) (B=*1982.10)									
10	1	121550-49111	JOINT PT1/4	1	1	1					
11	1	121250-49160	PIPE, WATER DRAIN	1	1	1					
12	1	129354-49160	PIPE, WATER DRAIN	1	1	1					
13	1	124766-59050	CLAMP 12	4	4	4					
14	1	129350-49800	THERMOSTAT (71 C	1	1	1					
15	1	129350-49530	COVER, THERMOSTAT	1	1	1					
16	1	129350-49540	GASKET, THERMO.COVER	1	1	1					
16-1	1	129350-49541	GASKET, (NON ASB.)	1	1	1					N
		(A=E/# A7791) (B=E/# A7791) (C=E/# A7791)									
17	1	26116-080222	BOLT M 8X 22 PLATED	2	2						
17-1	1	26014-080182	BOLT M 8X 14 PLATED	2	2	2					N
		(A=*1982.10) (B=*1982.10)									
18	1	22117-080000	WASHER 8	2	2						Z
		(A=*1982.10) (B=*1982.10)									
19	1	22217-080000	SPRING WASHER 8	2	2						Z
		(A=*1982.10) (B=*1982.10)									
20	1	124160-49480	JOINT, PIPE			1					

Fig. 17 FUEL INJECTION PUMP

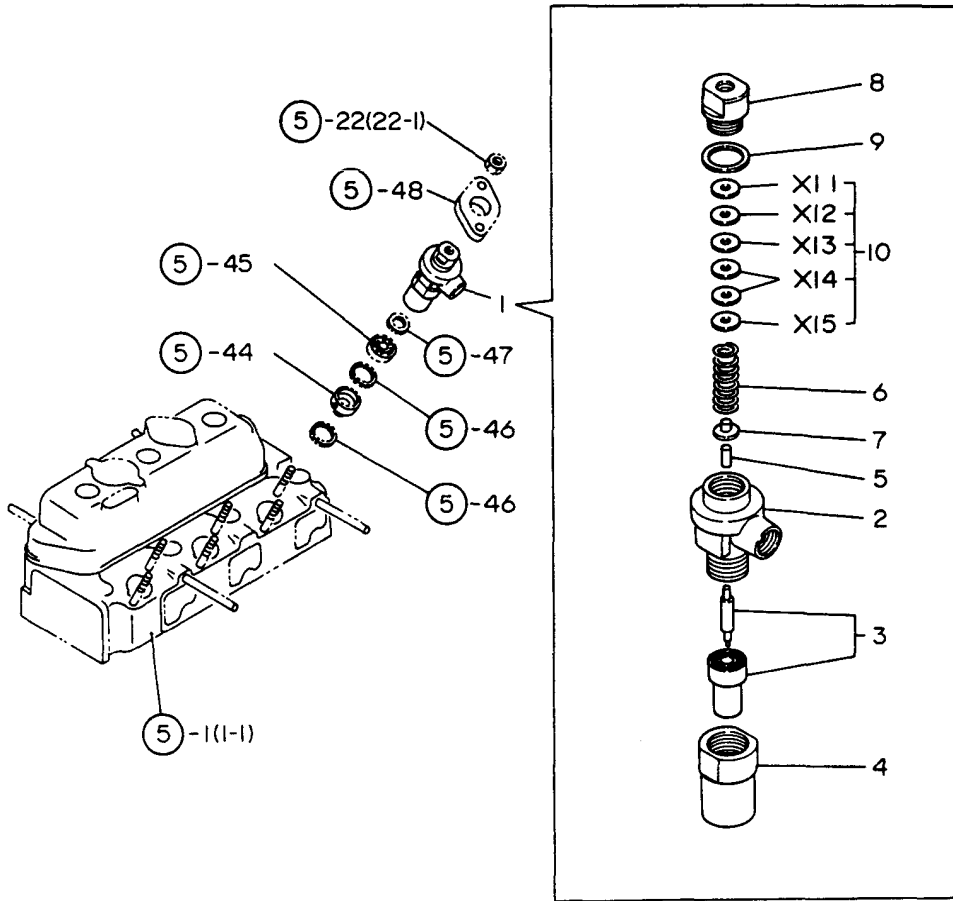
(A)=3T84HA (D)=  
 (B)=3T84HA-F (E)=  
 (C)=3T84HA-S (F)=



REF.	LEV.	PARTS NO.	DESCRIPTION	QTY						I	R
				(A)	(B)	(C)	(D)	(E)	(F)		
1	1	721550-51700	PUMP ASSY. F.INJECT.	1	1	1					
2	2	121450-51010	BODY, FUEL I. PUMP	1	1	1					
3	2	121550-51100	PLUNGER W/BARREL	3	3	3					
4	2	124950-51270	GASKET	3	3	3					
5	2	124060-51300	VALVE W/SEAT, DELIV.	3	3	3					
6	2	124550-51350	GASKET, DELIVERY	3	3	3					
7	2	124550-51320	SPRING, DELIV. VALVE	3	3	3					
8	2	124550-51341	RETAINER	3	3	3					
9	2	124550-51370	O-RING, DELIVERY	3	3	3					
10	2	124950-51510	PINION	3	3	3					
11	2	121450-51500	RACK, CONTROL	1	1	1					
12	2	124950-51190	SPRING, PLUNGER	3	3	3					
13	2	174307-51170	RETAINER A	3	3	3					
14	2	174307-51181	RETAINER B	3	3	3					
15	2	724550-51520	GUIDE ASSY, PLUNGER	3	3	3					
17	3	711100-51540	ROLLER ASSY	3	3	3					
20	2	174100-54120	PIN, ROLLER	3	3	3					
21	2	103854-51251	PIN, PLUNGER	1	1	1					
22	2	121150-51460	PIN	1	1	1					
23	2	124950-51450	PIECE, GUIDE	3	3	3					
24	2	174307-51700	SHIM SET	3	3	3					
35	2	124950-51640	SHIM SET, CONTROL	2	2	2					
38	2	103854-51660	SCREW	2	2	2					
39	2	26587-050102	SCREW M 5X 10	2	2	2					
40	2	22137-050000	WASHER 5, POLISHED	2	2						
40-1	2	22117-050000	WASHER 5	2	2	2					N
		(A=*1982.10) (B=*1982.10)									
41	2	22217-050000	SPRING WASHER 5	2	2	2					
42	1	121550-51920	LABEL, FUEL I. PUMP	1	1	1					
43	1	124220-51890	RIVET, LABEL	2	2	2					

Fig. 18 FUEL INJECTION VALVE

(A)=3T84HA (D)=  
 (B)=3T84HA-F (E)=  
 (C)=3T84HA-S (F)=

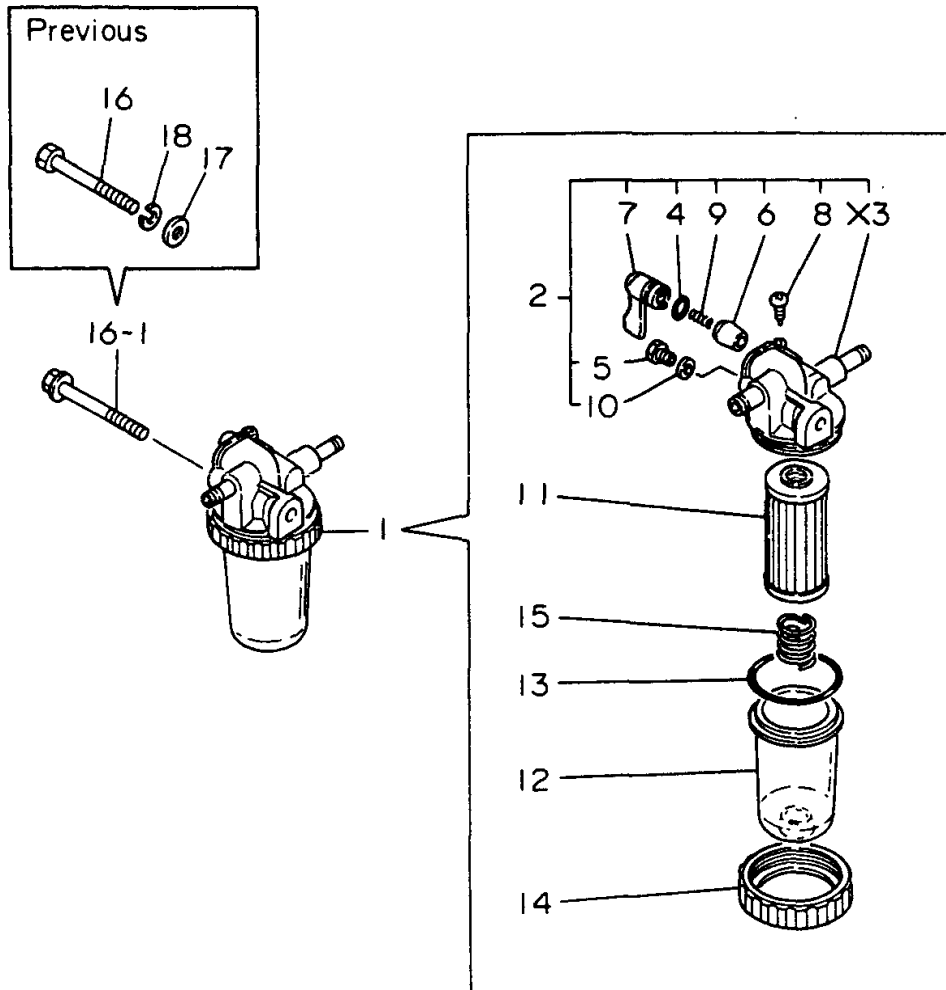


REF.	LEV.	PARTS NO.	DESCRIPTION	QTY					
				(A)	(B)	(C)	(D)	(E)	(F)
1	1	704571-53100	VALVE ASSY, F.INJECT	3	3	3			
2	2	103854-53100	BODY, F.I. VALVE	3	3	3			
3	2	124770-53000	NOZZLE ASSY, F.INJECT	3	3	3			
4	2	104500-53080	HOLDER, VALVE W/CASE	3	3	3			
5	2	113200-53110	SPINDLE, INTER	3	3	3			
6	2	103854-53120	SPRING, NOZZLE	3	3	3			
7	2	113200-53120	SHOE, SPRING	3	3	3			
8	2	103854-53180	RETAINER, NOZ.SPRING	3	3	3			
9	2	172100-53200	GASKET	3	3	3			
10	2	110250-53150	SHIM SET	3	3	3			

Fig. 19 FUEL STRAINER

Y00T2321 19. FUEL STRAINER

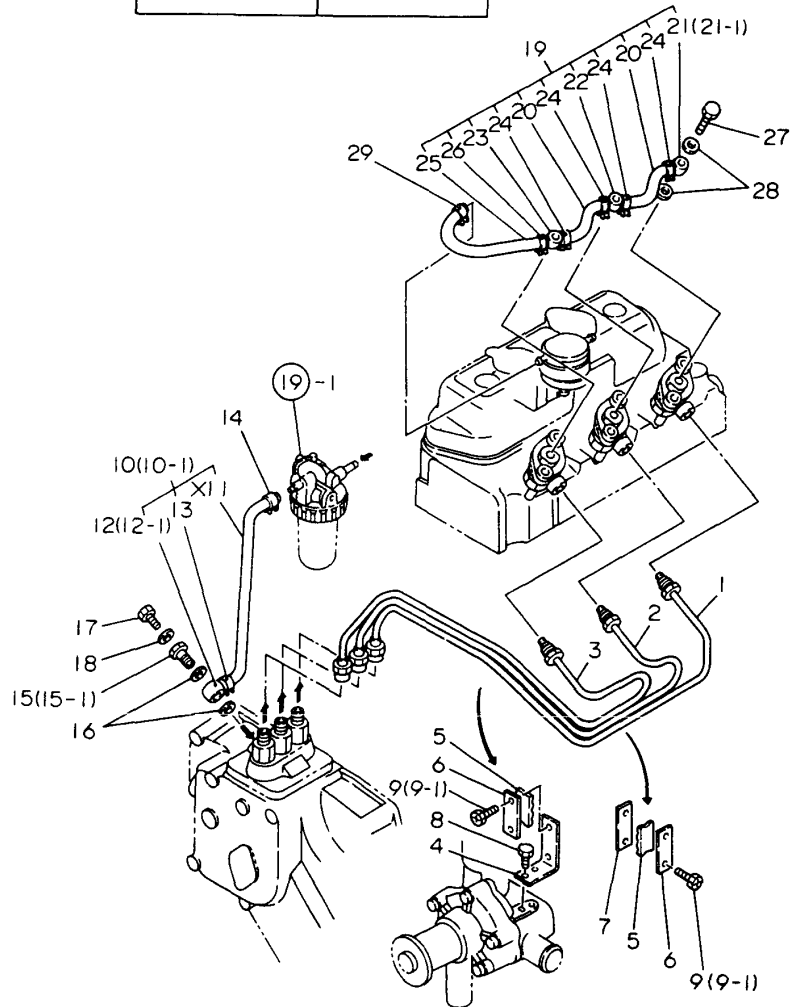
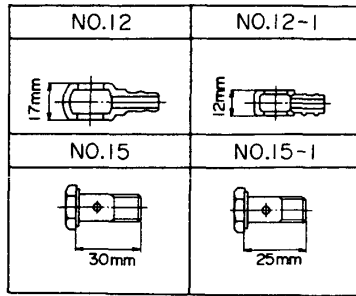
(A)=3T84HA (D)=  
 (B)=3T84HA-F (E)=  
 (C)=3T84HA-S (F)=



REF.	LEV.	PARTS NO.	DESCRIPTION	QTY						I	R
				(A)	(B)	(C)	(D)	(E)	(F)		
1	1	121254-55600	STRAINER ASSY, FUEL	1	1	1					
2	2	721250-55540	COCK ASSY, FUEL	1	1	1					
4	3	24311-240100	O-RING 1A P-10A	1	1	1					
5	3	101720-55750	PLUG 6	2	2	2					
6	3	104200-55321	VALVE, TAPER	1	1	1					
7	3	104200-55341	HANDLE, COCK	1	1	1					
8	3	104200-55750	SCREW M 4	1	1	1					
9	3	104200-55330	SPRING, TAPER VALVE	1	1	1					
10	2	23418-060000	GASKET 6, NYLON	2	2	2					
11	2	124550-55700	ELEMENT, FUEL	1	1	1					
12	2	121254-55510	CUP, STRAINER	1	1	1					
13	2	102103-55520	O-RING	1	1	1					
14	2	110250-55610	RING, RETAINING	1	1	1					
15	2	121250-55620	SPRING	1	1	1					
16	1	26116-080652	BOLT M 8X 65 PLATED	1	1						
16-1	1	26106-080602	BOLT M 8X 60 PLATED	1	1	1					N
		(A=*1982.10)	(B=*1982.10)								
17	1	22117-080000	WASHER 8	1	1						Z
		(A=*1982.10)	(B=*1982.10)								
18	1	22217-080000	SPRING WASHER 8	1	1						Z
		(A=*1982.10)	(B=*1982.10)								

Fig. 20 FUEL LINES

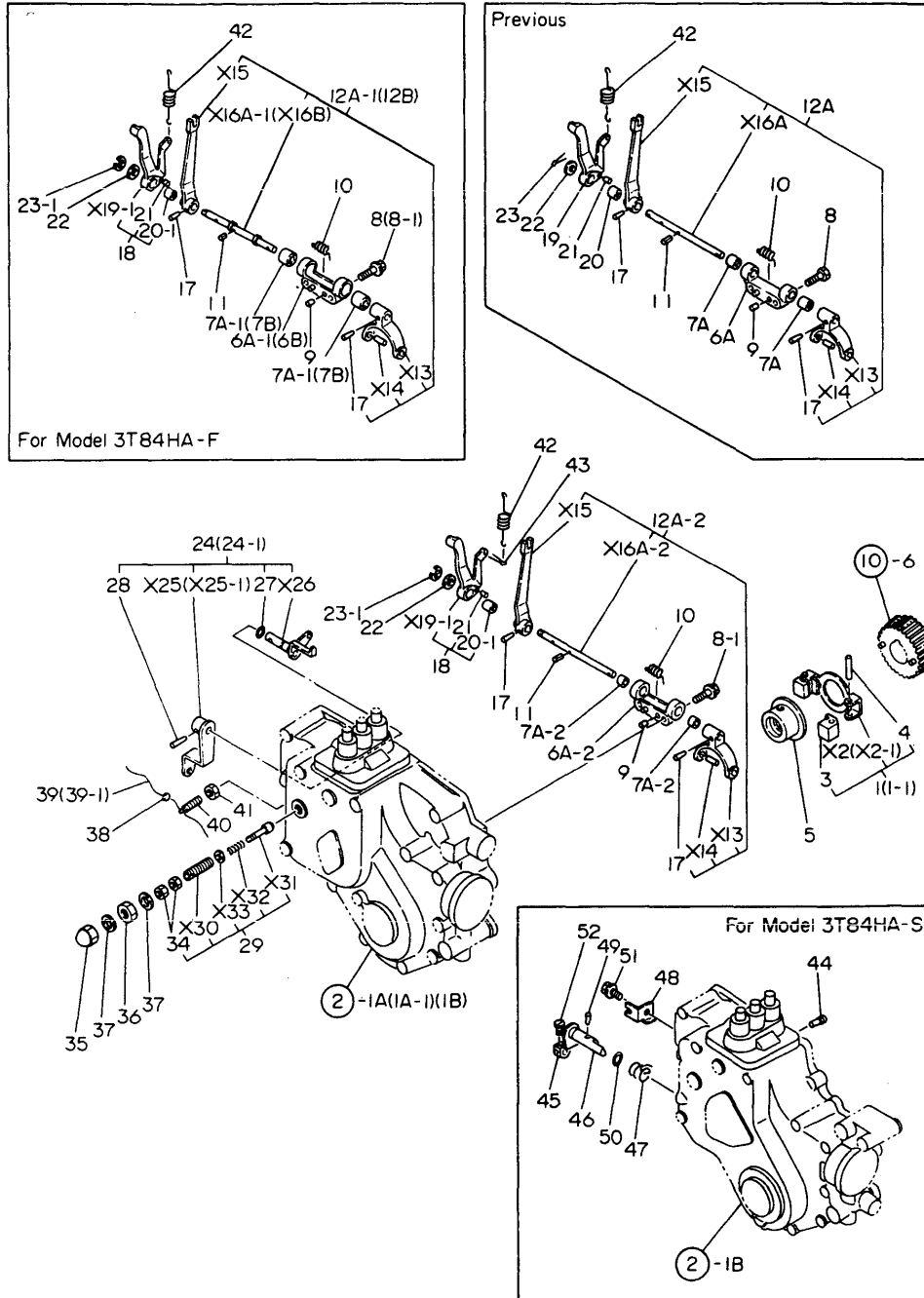
(A)=3T84HA (D)=  
 (B)=3T84HA-F (E)=  
 (C)=3T84HA-S (F)=



REF.	LEV.	PARTS NO.	DESCRIPTION	QTY						I	R
				(A)	(B)	(C)	(D)	(E)	(F)		
1	1	129350-59810	PIPE (A), F. INJECT.	1	1	1					
2	1	129354-59820	PIPE (2), F. INJECT.	1	1	1					
3	1	129350-59830	PIPE (C), F. INJECT.	1	1	1					
4	1	121450-59850	BRACKET (A)	1	1	1					
5	1	123325-59100	RETAINER	2	2	2					
6	1	123325-59110	COVER	2	2	2					
7	1	121250-59860	RETAINER (B)	1	1	1					
8	1	26116-060102	BOLT M 6X 10 PLATED	2	2	2					
9	1	26116-060162	BOLT M 6X 16 PLATED	4	4						
9-1	1	121465-59950	BOLT M 6X 16, PLATED	4	4	4					S
		(A=E/# 95454) (B=E/# 95454)									
10	1	129354-59010	PIPE ASSY, FUEL	1	1						
10-1	1	129354-59011	PIPE ASSY, FUEL	1	1	1					S
		(A=E/#200448) (B=E/#200448)									
12	2	124250-59260	JOINT, PIPE	1	1						
12-1	2	101304-59020	JOINT 12, PIPE	1	1	1					S
		(A=E/#200448) (B=E/#200448)									
13	2	124766-59050	CLAMP 12	1	1	1					
14	1	124766-59050	CLAMP 12	1	1	1					
15	1	124060-59391	BOLT, JOINT	1	1						
15-1	1	103854-59201	BOLT, JOINT	1	1	1					S
		(A=E/#200448) (B=E/#200448)									
16	1	104200-59170	GASKET 12	2	2	2					
17	1	124060-59380	PLUG	1	1	1					
18	1	43400-500390	SEAL WASHER 6	1	1	1					
19	1	129350-59500	PIPE, FUEL RETURN	1	1	1					
20	2	129350-59550	PIPE, FUEL	2	2	2					
21	2	124450-59030	JOINT, PIPE	1							
21-1	2	124550-59030	JOINT 8, PIPE	1	1	1					N
		(A=*)									
22	2	124550-59090	JOINT, PIPE	1	1	1					
23	2	121750-59090	JOINT 8, PIPE	1	1	1					
24	2	124066-59100	CLAMP 8	4	4	4					
25	2	121420-77700	PIPE, FUEL	1	1	1					
26	2	124060-77680	CLAMP 10	1	1	1					
27	1	101147-59810	BOLT, PIPE JOINT	3	3	3					
28	1	23414-080012	GASKET 8	6	6	6					
29	1	124060-77680	CLAMP 10	1	1	1					

Fig. 21 GOVERNOR MECHANISM

(A)=3T84HA (D)=  
 (B)=3T84HA-F (E)=  
 (C)=3T84HA-S (F)=



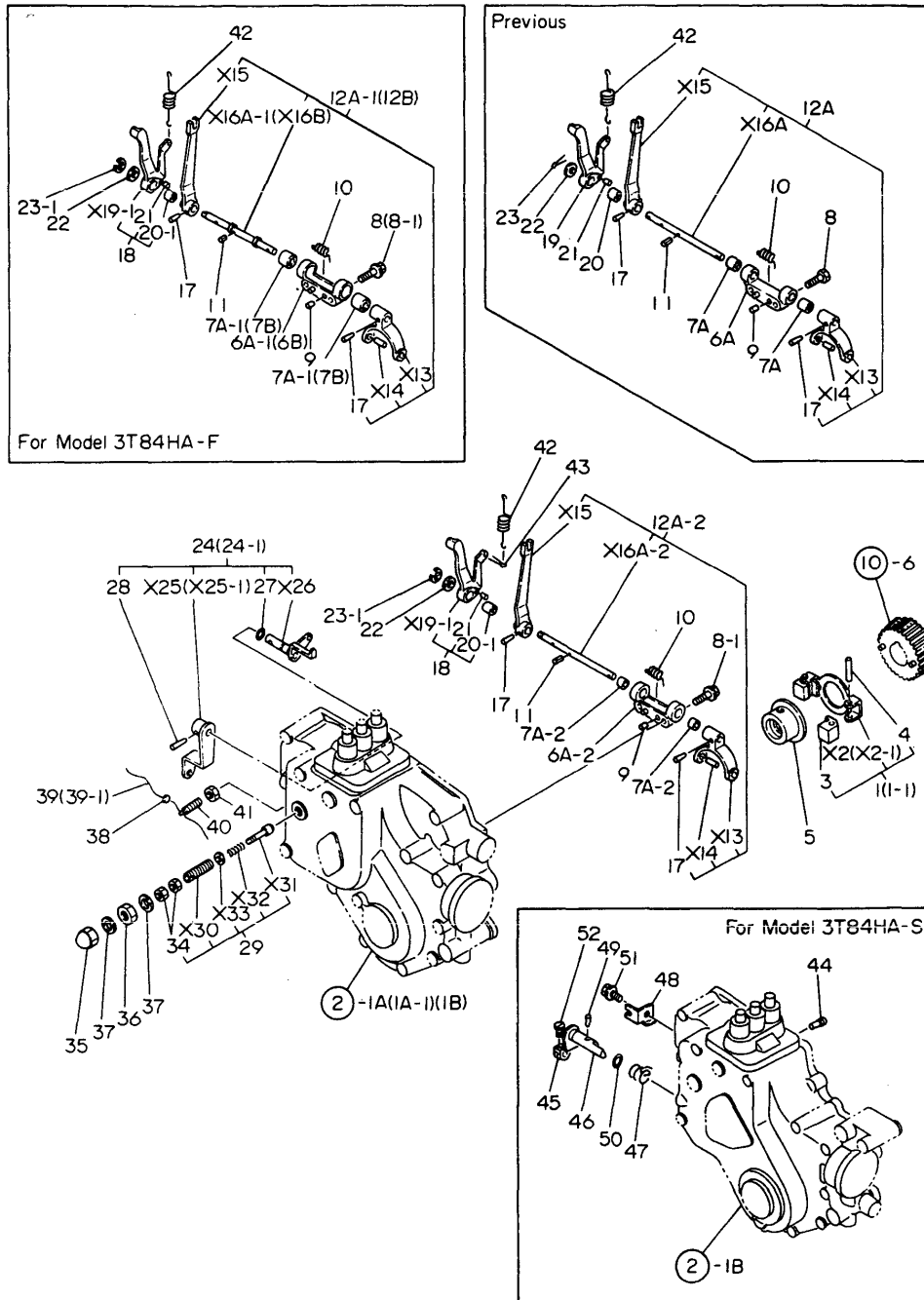
REF.	LEV.	PARTS NO.	DESCRIPTION	QTY						I	R
				(A)	(B)	(C)	(D)	(E)	(F)		
1	1	121450-61100	SUPPORT ASSY, GOV.	1	1						
1-1	1	121450-61101	SUPPORT ASSY, GOV.	1	1	1					S 1
		(A=*1982.06) (B=*1982.06)									
3	2	104200-61200	WEIGHT, GOVERNOR	2	2	2					
4	2	172200-61220	PIN, GOVERNOR WEIGHT	2	2	2					
4-1	2	119660-61220	PIN, GOVERNOR WEIGHT	2	2	2					N
		(A=E/# A3393) (B=E/# A3393) (C=E/# A3393)									
4A	1	22351-04008	SPRING PIN 4X 8		2						
5	1	129350-61600	SLEEVE, GOVERNOR	1	1	1					
6A	1	121450-61620	SUPPORT	1							S
6A-1	1	121520-61620	SUPPORT, LEVER SHAFT	1							
		(A=*)									
6A-2	1	121567-61620	SUPPORT, LEVER SHAFT	1	1						S 2
		(A=E/# 95898)									
6B	1	121520-61620	SUPPORT, LEVER SHAFT		1						
7A	1	121450-61520	NEEDLE BEARING FJ810	2							S
7A-1	1	121520-61520	BEARING, NEEDLE	2							
		(A=*)									
7A-2	1	121567-61640	BUSH, GOV.SHAFT	2	2						S 2
		(A=E/# 95898)									
7B	1	121520-61520	BEARING, NEEDLE		2						
8	1	26116-060222	BOLT M 6X 22 PLATED	2	2						
8-1	1	26106-060222	BOLT M 6X 22 PLATED	2	2	2					N
		(A=*1982.10) (B=*1982.10)									
9	1	22312-040080	PIN 4X8, STRAIGHT	2	2	2					
10	1	121450-61631	SPRING	1	1	1					
11	1	22351-030010	SPRING PIN 3X10	1	1	1					
12A	1	121450-61000	LEVER ASSY, GOVERNOR	1							
12A-1	1	121450-61001	LEVER ASSY, GOVERNOR	1							N
		(A=*1981.)									
12A-2	1	121567-61000	LEVER ASSY, GOVERNOR	1	1						S 2
		(A=E/# 95898)									
12B	1	121450-61001	LEVER ASSY, GOVERNOR		1						
17	2	22322-030180	TAPER PIN 3X18	2	2	2					
18	1	121450-66180	LEVER ASSY, LIMIT	1	1	1					
19	2	121450-66160	LEVER, LIMIT FUEL OIL	1							
20	2	121450-61520	NEEDLE BEARING FJ810	1							
20-1	2	121450-66170	BUSH, GOV. SHAFT	1	1	1					S
		(A=*1982.10)									
21	2	22312-030080	PARALLEL PIN 3X 8	1	1	1					
22	1	22137-080000	WASHER 8, POLISHED	1	1	1					
23	1	22417-300150	COTTER PIN 3.0X15	1	1	1					
23-1	1	22272-000060	CIRCLIP E- 6		1						S
		(B=*)									
24	1	121520-66000	LEVER ASSY,REGULATOR	1	1						
24-1	1	121454-66002	LEVER ASSY,REGULATOR	1	1	1					S
		(A=E/# 98873) (B=E/# 98873)									
27	2	24311-000070	O-RING 1A P-7.0	1	1	1					
28	2	22322-030200	TAPER PIN 3X20	1	1	1					
29	1	121520-66550	TORQUE SPRING ASSY	1	1	1					
34	2	26756-050002	LOCK NUT M 5 PLATED	2	2	2					
35	1	26687-120002	CAP NUT M12	1	1	1					
36	1	26736-120002	NUT M12	1	1	1					
37	1	43400-500450	SEAL WASHER 12	2	2	2					

++ CONTINUE ++



Fig. 21 GOVERNOR MECHANISM

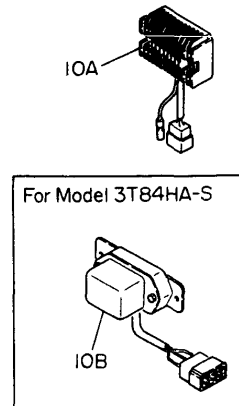
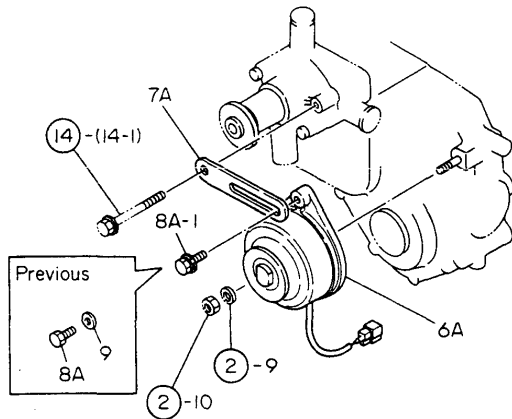
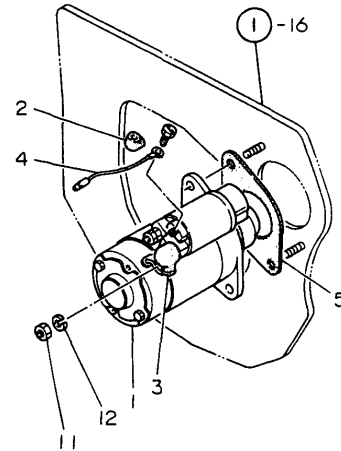
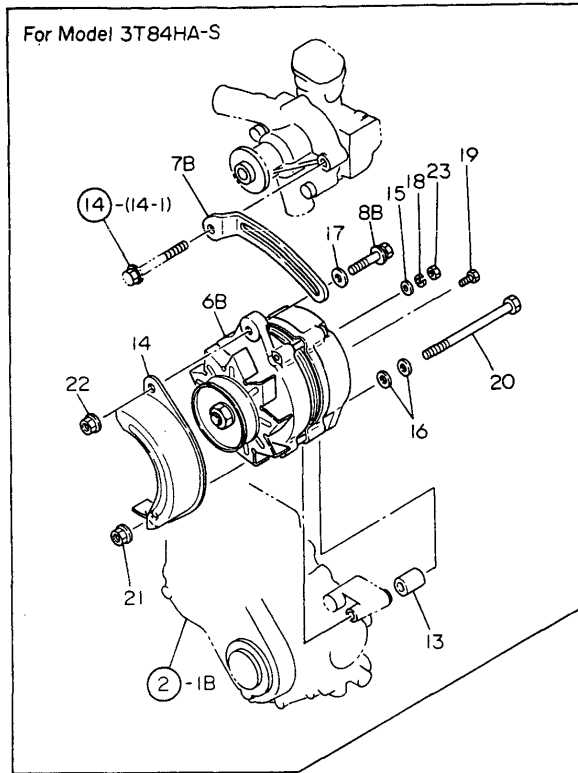
(A)=3T84HA (D)=  
 (B)=3T84HA-F (E)=  
 (C)=3T84HA-S (F)=



REF.	LEV.	PARTS NO.	DESCRIPTION	QTY						I	R
				(A)	(B)	(C)	(D)	(E)	(F)		
38	1	135210-61090	LEAD	1	1	1					
39	1	22451-100000	WIRE 1.0	1	1						
39-1	1	22451-060000	WIRE 0.6	1	1	1					N
		(A="1981.09)	(B="1981.09)								
40	1	121454-66420	ADJUSTER	1	1	1					
41	1	124550-66370	LOCK NUT M 6	1	1	1					
42	1	121520-66010	SPRING, REGULATOR	1	1	1					
43	1	22417-300150	COTTER PIN 3.0X15	1	1						W
		(A=")									
44	1	124250-03640	SCREW, STOP			1					
45	1	104211-03770	PLATE			1					
46	1	121551-66520	LEVER, ENG. STOP			1					
47	1	121551-66580	SPRING, RETURN			1					
48	1	121551-66900	SUPPORT, STOP WIRE			1					
49	1	22322-030160	TAPER PIN 3X16			1					
50	1	24311-000090	O-RING 1A P-9.0			1					
51	1	26106-060122	BOLT M 6X 12 PLATED			1					
52	1	26116-050128	BOLT M 5X 12 PLATED			1					

Fig. 22 ELECTRIC EQUIPMENT

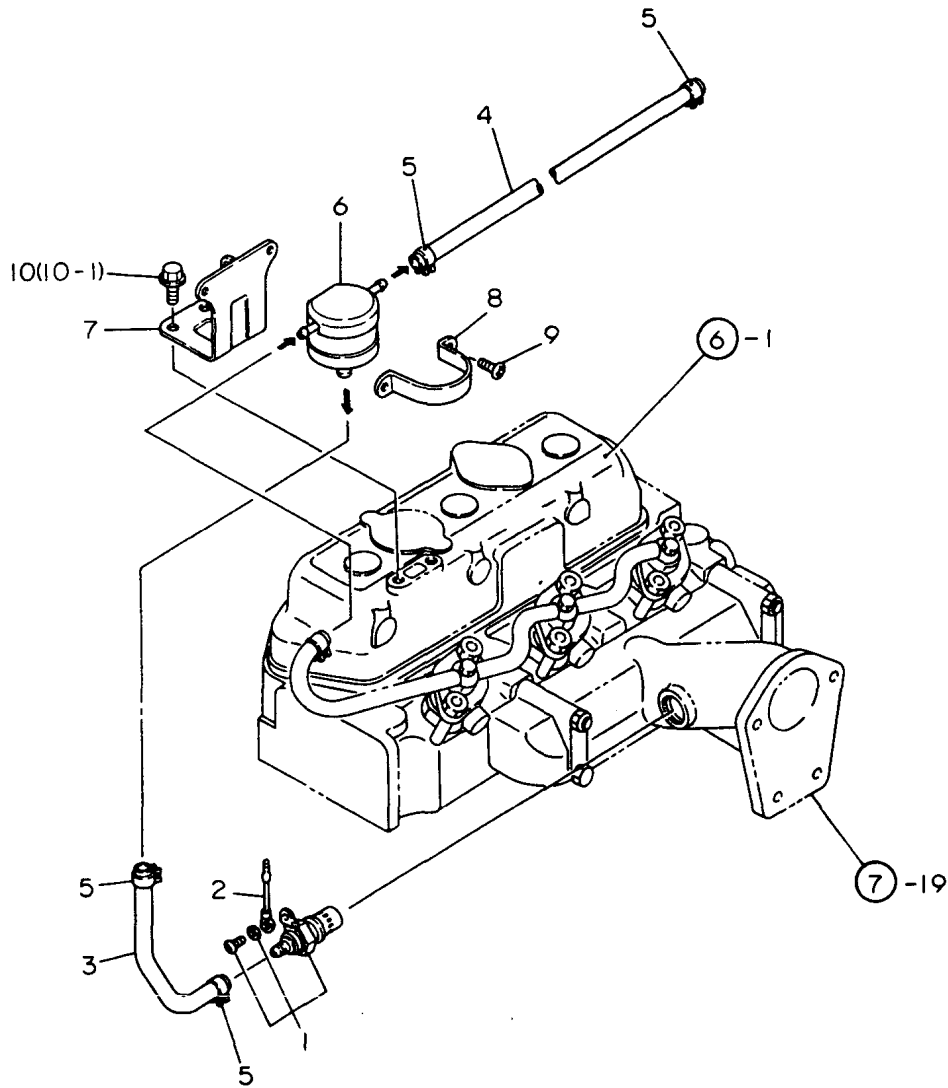
(A)=3T84HA (D)=  
 (B)=3T84HA-F (E)=  
 (C)=3T84HA-S (F)=



REF.	LEV.	PARTS NO.	DESCRIPTION	QTY						I	R
				(A)	(B)	(C)	(D)	(E)	(F)		
1	1	124250-77012	STARTER (S12-77A)	1	1	1					
2	1	124550-77020	COVER, TERMINAL	1	1	1					
3	1	124550-77030	COVER, TERMINAL	1	1	1					
4	1	124764-77090	WIRE	1	1	1					
5	1	129350-77050	GASKET, STARTER	1	1						Z
		(A=*) (B=*)									
6A	1	121450-77200	GENERATOR 12V-180W	1	1						
6B	1	121492-77200	GENERATOR (LT135-54)			1					
7A	1	121850-77330	ADJUSTER, BELT	1	1						
7B	1	129354-77330	ADJUSTER, BELT					1			
8A	1	26116-080252	BOLT M 8X 25 PLATED	1	1						
8A-1	1	26014-080252	BOLT M 8X 25	1	1						N
		(A=E/# 95454) (B=E/# 95454)									
8B	1	26014-080352	BOLT M 8X 35					1			
9	1	22137-080000	WASHER 8, POLISHED	1	1						Z
		(A=*) (B=*)									
10A	1	121450-77711	LIMITER, CURRENT	1	1						
10A-1	1	121520-77710	LIMITER, CURRENT	1	1						N
		(A=E/# A5021) (B=E/# A5021)									
10B	1	124550-77710	REGULATOR (TL1Z-86)					1			
11	1	26756-080002	LOCK NUT M 8 PLATED	1	1	1					
12	1	22217-080000	SPRING WASHER 8	1	1	1					
13	1	124950-55900	SPACER					1			
14	1	124610-77210	COVER, GENERATOR					1			
15	1	22117-050000	WASHER 5					1			
16	1	22117-080000	WASHER 8					2			
17	1	22137-080000	WASHER 8, POLISHED					1			
18	1	22217-050000	SPRING WASHER 5					1			
19	1	26116-050142	BOLT M 5X 14 PLATED					1			
20	1	26116-081202	BOLT M 8X120 PLATED					1			
21	1	26366-080002	NUT M 8					2			
22	1	26366-080002	NUT M 8					1			
23	1	26756-050002	LOCK NUT M 5 PLATED					1			

Fig. 23 THERMOSTART

(A)=3T84HA (D)=  
 (B)=3T84HA-F (E)=  
 (C)=3T84HA-S (F)=

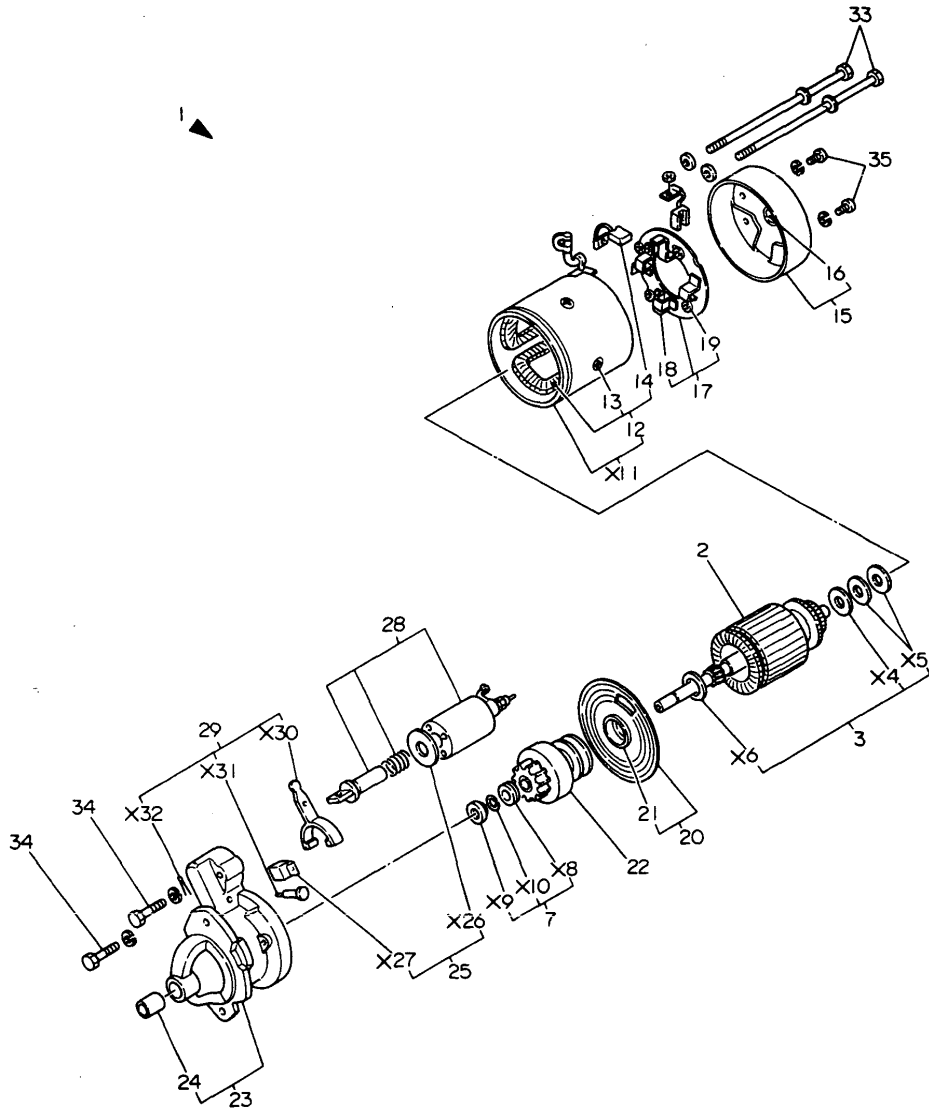


REF.	LEV.	PARTS NO.	DESCRIPTION	QTY						I	R
				(A)	(B)	(C)	(D)	(E)	(F)		
1	1	121023-77910	PLUG, THERMOSTAT	1	1	1					
2	1	121120-77920	WIRE, THERMOSTAT	1	1	1					
3	1	121400-77701	PIPE, FUEL	1	1	1					
4	1	124736-77700	PIPE, FUEL	1	1	1					
5	1	124060-77680	CLAMP 10	4	4	4					
6	1	121750-77800	TANK, HEADER	1	1	1					
7	1	121550-77810	BRACKET	1	1	1					
8	1	124460-77820	BRACKET(B), TANK	1	1	1					
9	1	26557-060082	SCREW M 6X 8	2	2	2					
10	1	26116-080122	BOLT M 8X 12 PLATED	2	2						
10-1	1	26106-080122	BOLT M 8X 12 PLATED	2	2	2					N
(A=*1982.) (B=*1982.10)											

Fig. 24 STARTER 12V-1.8KW (TYPE S12-77)

Y00T2321 24. STARTER 12V-1.8KW(TYPE S12-77)

(A)=3T84HA (D)=  
 (B)=3T84HA-F (E)=  
 (C)=3T84HA-S (F)=



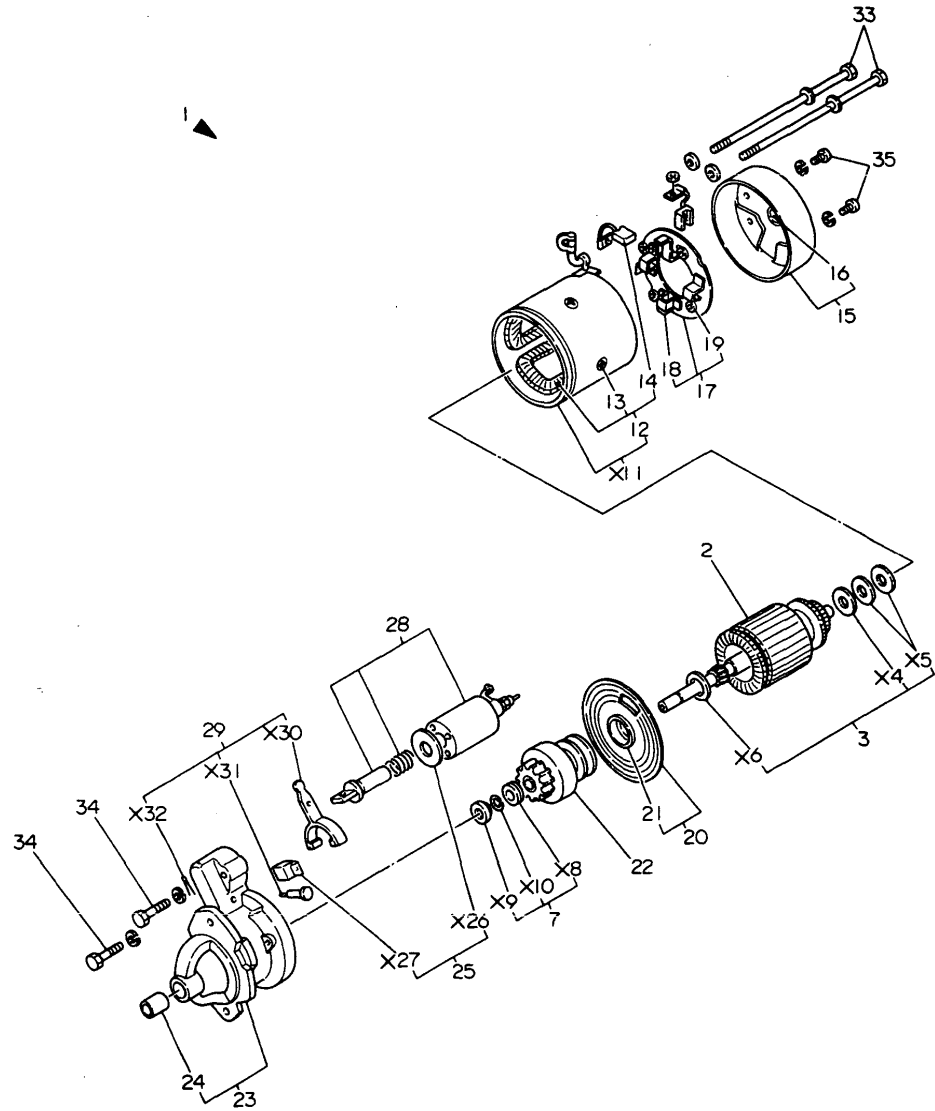
REF.	LEV.	PARTS NO.	DESCRIPTION	QTY						I	R
				(A)	(B)	(C)	(D)	(E)	(F)		
1	1	124250-77012	STARTER (S12-77A)	1	1	1					
2	2	X21207100	ARMATURE ASSY	1	1	1					
2-1	2	124250-77500	ARMATURE ASSY	1	1	1					R
		(A=E/# A4275) (B=E/# A4275) (C=E/# A4275)									
3	2	X21201115	WASHER SET, THRUST	1	1	1					
3-1	2	124250-77510	WASHER KIT	1	1	1					R
		(A=E/# A4275) (B=E/# A4275) (C=E/# A4275)									
7	2	X21201110	STOPPER SET	1	1	1					
7-1	2	124250-77070	STOPPER SET, PINION	1	1	1					R
		(A=E/# A4275) (B=E/# A4275) (C=E/# A4275)									
12	3	X21204259	COIL ASSY	1	1	1					
12-1	3	124250-77110	COIL ASSY, FIELD	1	1	1					R
		(A=E/# A4275) (B=E/# A4275) (C=E/# A4275)									
13	4	X21142215	SCREW	4	4	4					
13-1	4	124250-77120	SCREW SET, PORE CORE	4	4	4					R
		(A=E/# A4275) (B=E/# A4275) (C=E/# A4275)									
14	4	X21209311	BRUSH (+)	2	2	2					
14-1	4	124250-77130	BRUSH (+)	2	2	2					R
		(A=E/# A4275) (B=E/# A4275) (C=E/# A4275)									
15	2	X22501300	COVER ASSY, REAR	1	1	1					
15-1	2	124250-77140	COVER ASSY, REAR	1	1	1					R
		(A=E/# A4275) (B=E/# A4275) (C=E/# A4275)									
16	3	X21204302	METAL, COVER BEARING	1	1	1					
16-1	3	124250-77150	METAL, REAR COVER	1	1	1					R
		(A=E/# A4275) (B=E/# A4275) (C=E/# A4275)									
17	2	X21205310	HOLDER ASSY, BRUSH	1	1	1					
17-1	2	124250-77160	HOLDER ASSY, BRUSH	1	1	1					R
		(A=E/# A4275) (B=E/# A4275) (C=E/# A4275)									
18	3	X21207312	BRUSH	1	1	1					
18-1	3	124250-77170	BRUSH (-)	2	2	2					R
		(A=E/# A4275) (B=E/# A4275) (C=E/# A4275)									
19	3	X21201313	SPRING, BRUSH	4	4	4					
19-1	3	124250-77180	SPRING, BRUSH	4	4	4					R
		(A=E/# A4275) (B=E/# A4275) (C=E/# A4275)									
20	2	X21205400	BEARING ASSY	1	1	1					
20-1	2	124250-77190	BEARING ASSY, CENTER	1	1	1					R
		(A=E/# A4275) (B=E/# A4275) (C=E/# A4275)									
21	3	X21204401	METAL, CENTER BERG.	1	1	1					
21-1	3	124250-77520	BEARING	1	1	1					R
		(A=E/# A4275) (B=E/# A4275) (C=E/# A4275)									
22	2	X212045001	PINION ASSY	1	1	1					
22-1	2	124250-77210	PINION ASSY	1	1	1					R
		(A=E/# A4275) (B=E/# A4275) (C=E/# A4275)									
23	2	X21205650	CASE ASSY, GEAR	1	1	1					
23-1	2	124250-77220	CASE ASSY, GEAR	1	1	1					R
		(A=E/# A4275) (B=E/# A4275) (C=E/# A4275)									
24	3	X21202601	METAL, GEAR CASE	1	1	1					
24-1	3	124250-77230	METAL, GEAR CASE	1	1	1					R
		(A=E/# A4275) (B=E/# A4275) (C=E/# A4275)									
25	2	X21202602	COVER SET	1	1	1					
25-1	2	124250-77240	COVER SET, DUST	1	1	1					R
		(A=E/# A4275) (B=E/# A4275) (C=E/# A4275)									
28	2	X212037002	SWITCH ASSY, MAGNET.	1	1	1					
28-1	2	124250-77310	SWITCH, MAGNETIC	1	1	1					R

++ CONTINUE ++

Fig. 24 STARTER 12V-1.8KW (TYPE S12-77)

Y00T2321 24. STARTER 12V-1.8KW(TYPE S12-77)

(A)=3T84HA (D)=  
 (B)=3T84HA-F (E)=  
 (C)=3T84HA-S (F)=

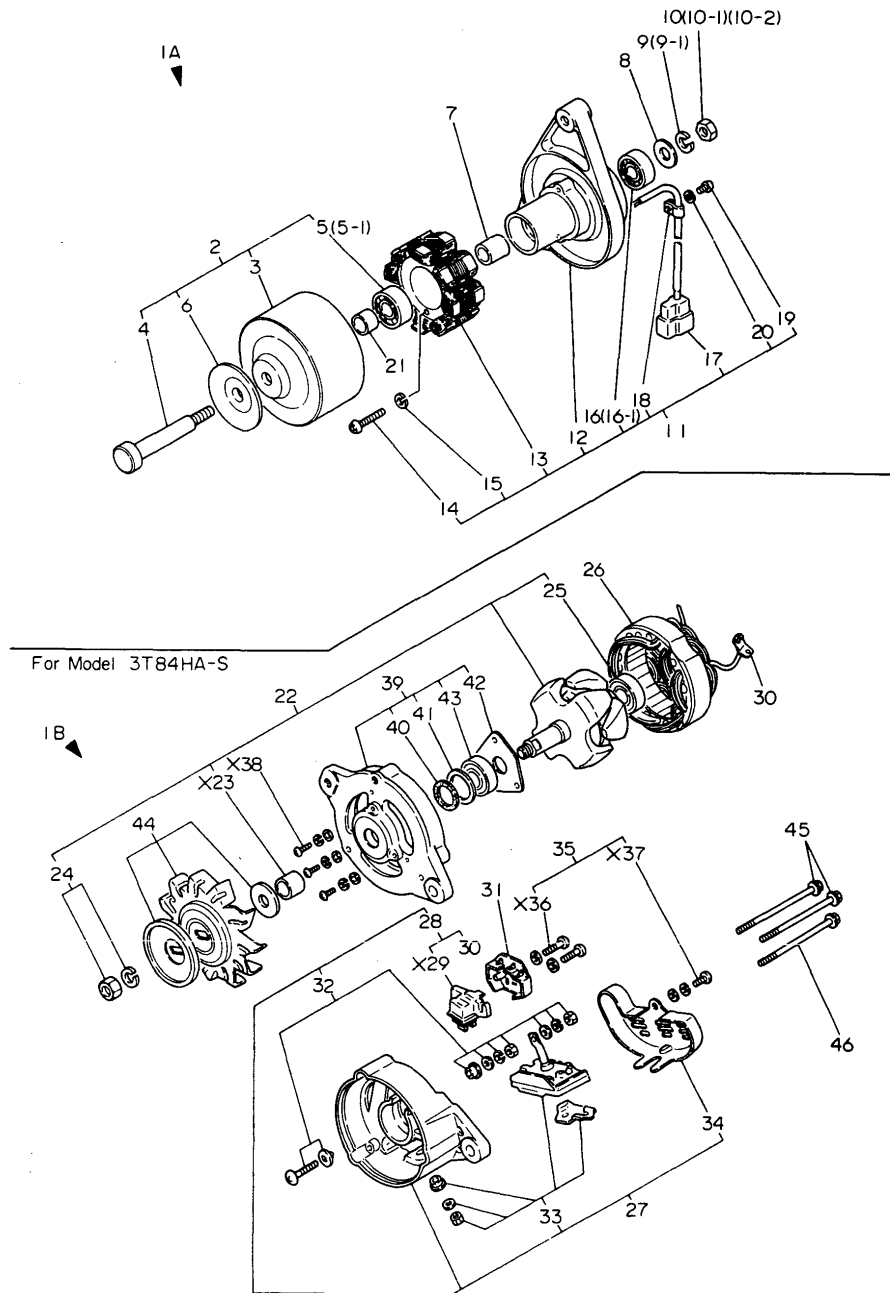


REF.	LEV.	PARTS NO.	DESCRIPTION	QTY						I	R
				(A)	(B)	(C)	(D)	(E)	(F)		
		(A=E/# A4275) (B=E/# A4275) (C=E/# A4275)									
29	2	X21201605	LEVER SET	1	1	1					
29-1	2	124250-77270	LEVER SET, SHIFT	1	1	1					R
		(A=E/# A4275) (B=E/# A4275) (C=E/# A4275)									
33	2	X21204810	BOLT, THROUGH	2	2	2					
33-1	2	124250-77320	BOLT, THROUGH	2	2	2					R
		(A=E/# A4275) (B=E/# A4275) (C=E/# A4275)									
34	2	X21145866	BOLT	2	2	2					
34-1	2	26106-060322	BOLT M 6X 32 PLATED	2	2	2					R
		(A=E/# A4275) (B=E/# A4275) (C=E/# A4275)									
35	2	26557-040122	SCREW M 4X 12,PAN HD	2	2	2					

Fig. 25 GENERATOR

Y00T2321 25. GENERATOR

(A)=3T84HA (D)=  
 (B)=3T84HA-F (E)=  
 (C)=3T84HA-S (F)=

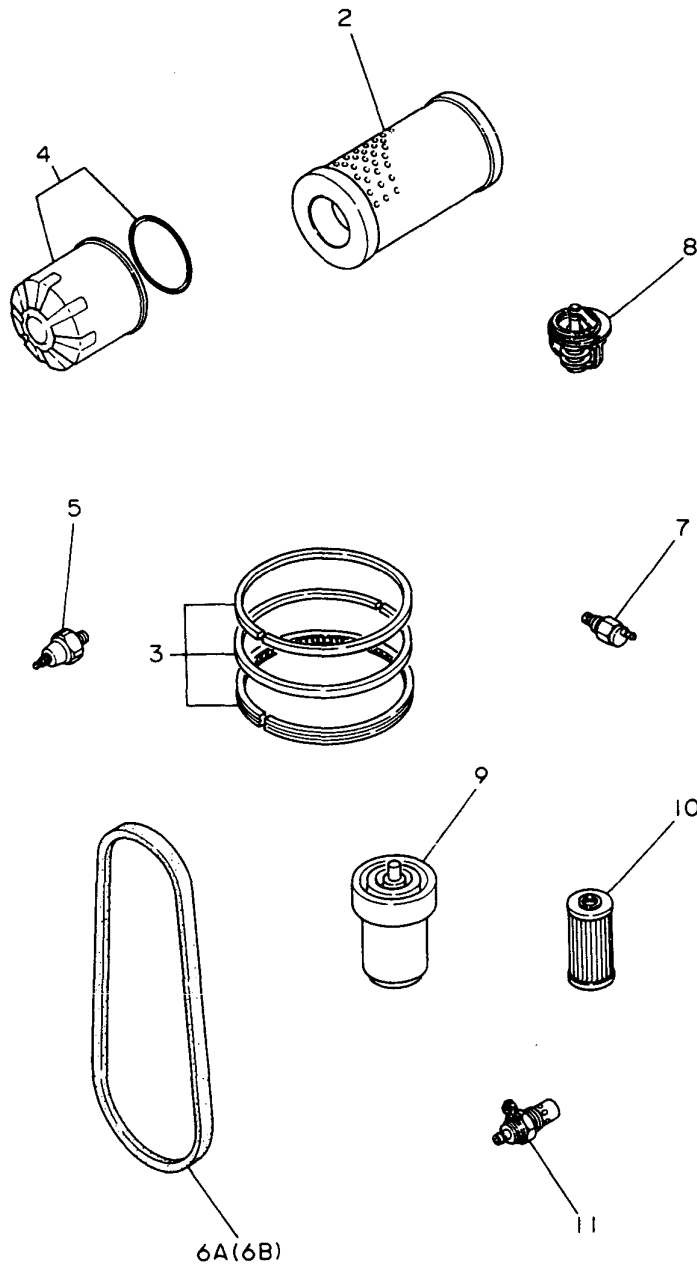


REF.	LEV.	PARTS NO.	DESCRIPTION	QTY						I	R
				(A)	(B)	(C)	(D)	(E)	(F)		
1A	1	121450-77200	GENERATOR 12V-180W	1	1						
1B	1	121492-77200	GENERATOR (LT135-54)			1					
2	2	94210M-42875	FLYWHEEL ASSY	1	1						
3	2	XM622270000	FLYWHEEL	1	1						
4	2	XM429270000	SHAFT	1	1						
5	2	XM861240000	B.BEARING #6201ZZC3	1	1						
5-1	2	24107-062010	BALL BEARING	1	1						R
	(A=*)	(B=*)									
6	2	XM429290000	PLATE, PULLEY	1	1						
7	2	XM329830000	COLLAR	1	1						
8	2	XM860250000	WASHER 10	1	1						
9	2	94210M-21932	WASHER, SPRING	1	1						
9-1	2	22217-100000	SPRING WASHER 10	1	1						R
	(A=*)	(B=*)									
10	2	94210M-86372	NUT	1	1						
10-1	2	26716-100002	NUT M10	1	1						R
	(A=*)	(B=*)									
10-2	2	26706-100002	NUT M10	1	1						R
	(A=*1982.10)	(B=*1982.10)									
11	2	XM514160000	PLATE ASSY	1	1						
12	3	XM514170000	PLATE	1	1						
13	3	XM514180000	STATOR	1	1						
14	3	26557-040252	SCREW M 4X 25	2	2						
15	3	22217-040000	SPRING WASHER 4	2	2						
16	3	XM861240000	B.BEARING #6201ZZC3	1	1						
16-1	3	24107-062010	BALL BEARING	1	1						R
	(A=*)	(B=*)									
17	3	XM967170000	COUPLER	1	1						
18	3	XM069000000	CLAMP	1	1						
19	3	26557-040082	SCREW M 4X 8	1	1						
20	3	22217-040000	SPRING WASHER 4	1	1						
21	2	XM428020000	COLLAR	1	1						
22	2	XLT135N1100	ROTOR ASSY								1
24	3	XB444001A	NUT SET, PULLEY								1
25	3	X6201SD	BALL BEARING								1
26	2	XL135N2200	STATOR ASSY								1
27	2	XL135N1300	COVER ASSY								1
28	3	XL135N1301	BRUSH ASSY								1
30	4	XL135N1302	N-TERMINAL								1
31	3	XL135N1303	COVER								1
32	3	XL1255310A	BOLT ASSY, TERMINAL								1
33	3	XL1258320	DIODE								1
34	3	XL1256338	COVER								1
35	2	XL14010001	SCREW KIT								1
39	2	XL1255400	COVER ASSY, FRONT								1
40	3	XL1151402	GASKET								1
41	3	XL1151403	RETAINER, GASKET								1
42	3	XL1307404Y	RETAINER								1
43	3	X6202SD	BALL BEARING #6202SD								1
44	2	XL1151552	PULLEY ASSY								1
45	2	XL1251801	BOLT, THROUGH								2
46	2	XL1251802	BOLT, THROUGH								1

Fig. 26 REPAIR KIT (FOR ENGINE)

(A)=3T84HA (D)=  
 (B)=3T84HA-F (E)=  
 (C)=3T84HA-S (F)=

1A(1B)

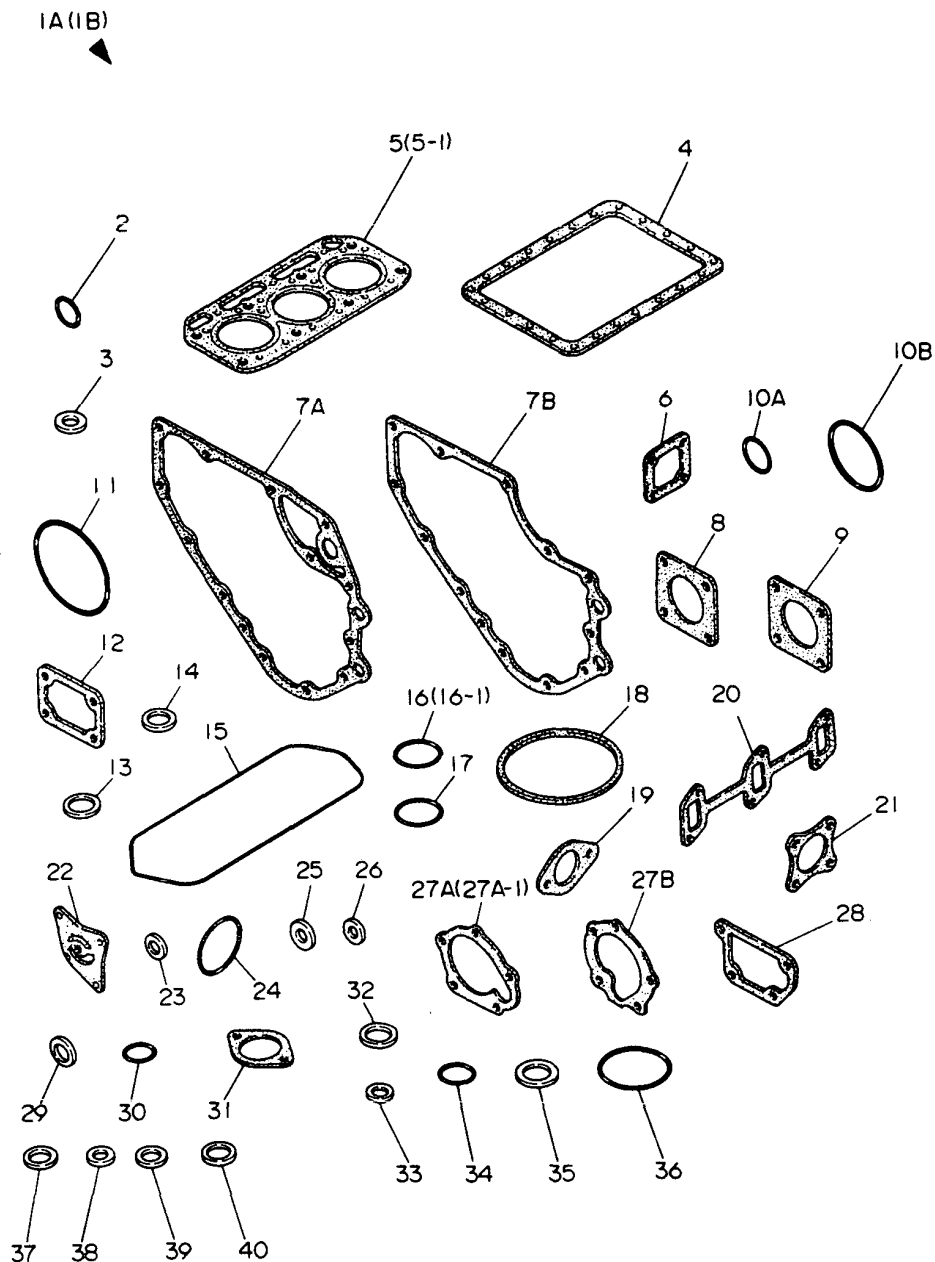


REF.	LEV.	PARTS NO.	DESCRIPTION	QTY						I	R
				(A)	(B)	(C)	(D)	(E)	(F)		
1A	1	729354-92500	REPAIR SET	1	1						1
1B	1	729354-92730	REPAIR KIT(A),ENGINE				1				1
2	2	121253-12510	ELEMENT, AIR CLEANER	1	1	1					
3	2	729350-22500	RING SET	1	1	1					
4	2	124550-35110	ELEMENT, LUB. OIL	1	1	1					
5	2	124160-39450	SWITCH, OIL PRESSURE	1	1	1					
6A	2	124732-42290	V-BELT (A-37)	1	1						
6B	2	121492-42290	V-BELT (A-38)						1		
7	2	121250-44901	SWITCH, THERMO(110 C	1	1	1					
8	2	129350-49800	THERMOSTAT (71 C	1	1	1					
9	2	124770-53000	NOZZLE ASSY,F.INJECT	3	3	3					
10	2	124550-55700	ELEMENT, FUEL	1	1	1					
11	2	121023-77910	PLUG, THERMOSTAT	1	1	1					

Fig. 27 GASKET KIT (FOR ENGINE)

Y00T2321 27. GASKET KIT (FOR ENGINE)

(A)=3T84HA (D)=  
 (B)=3T84HA-F (E)=  
 (C)=3T84HA-S (F)=



REF.	LEV.	PARTS NO.	DESCRIPTION	QTY						I	R
				(A)	(B)	(C)	(D)	(E)	(F)		
1A	1	729354-92600	GASKET SET	1	1						1
1B	1	729354-92620	GASKET, SET				1				1
2	2	24311-000100	O-RING 1A P-10.0	2	2	2					
3	2	43400-500450	SEAL WASHER 12	1	1	1					
4	2	121575-01750	GASKET, OIL SUMP	1	1	1					
5	2	129350-01330	GASKET, CYL. HEAD	1	1						
5-1	2	129350-01331	GASKET, HEAD	1	1	1					N
		(A=*1982.) (B=*1982.)									
6	2	121450-01531	GASKET, COVER	1	1	1					
7A	2	121450-01511	GASKET, GEAR HOUSING	1	1						
7B	2	121575-01510	GASKET, GEAR HOUSING						1		
8	2	124240-01882	GASKET, HO-P	1	1	1					
8-1	2	124240-01883	GASKET, (NON ASB.)	1	1	1					N
		(A=E/# A7791) (B=E/# A7791) (C=E/# A7791)									
9	2	124950-26021	GASKET	1	1	1					
10A	2	24341-000260	O-RING 1A S-26.0	1	1						
10B	2	24341-000460	O-RING 1A S-46.0				1				
11	2	24341-001350	O-RING 1A S-135.0	1	1	1					
12	2	121450-11680	GASKET, COVER	1	1	1					
13	2	101704-11450	GASKET, CHAMBER	6	6	6					
14	2	103854-11490	INSULATOR	3	3	3					
15	2	129350-11310	GASKET, BONNET	1	1	1					
16	2	121420-01760	O-RING	1	1						
16-1	2	24311-000320	O-RING 1A P-32.0	1	1	1					N
		(A=E/# 99460) (B=E/# 99460)									
17	2	24341-000400	O-RING 1A S-40.0	1	1	1					
18	2	124064-12430	GASKET, CLEANER	2	2	2					
19	2	124767-12050	GASKET	1	1	1					
20	2	129350-13250	GASKET	1	1	1					
20-1	2	129322-13520	GASKET	1	1	1					N
		(A=E/# A6080) (B=E/# A6080) (C=E/# A6080)									
21	2	121450-13200	GASKET, SILENCER	1	1	1					
22	2	121450-32021	GASKET, L.O.PUMP	1	1	1					
23	2	121550-35110	GASKET 18	1	1	1					
24	2	124450-35110	O-RING, L.O.STRAINER	1	1	1					
25	2	23414-100000	GASKET 10, ROUND	2	2	2					
26	2	23414-080000	GASKET 8, ROUND	6	6	6					
27A	2	121450-42050	GASKET	1	1	1					
27A-1	2	121023-42051	GASKET	1	1						N
		(A=*1981.) (B=*1981.)									
27B	2	121000-42051	GASKET, C.W.PUMP						1		
28	2	121450-44410	GASKET, BRACKET	1	1	1					
29	2	124465-44950	GASKET 16	1	1	1					
30	2	24311-000120	O-RING 1A P 12.0	1	1	1					
31	2	129350-49540	GASKET, THERMO.COVER	1	1	1					
31-1	2	129350-49541	GASKET, (NON ASB.)	1	1	1					N
		(A=E/# A7791) (B=E/# A7791) (C=E/# A7791)									
32	2	124950-51270	GASKET	3	3	3					
33	2	124550-51350	GASKET, DELIVERY	3	3	3					
34	2	124550-51370	O-RING, DELIVERY	3	3	3					
35	2	172100-53200	GASKET	3	3	3					
36	2	102103-55520	O-RING	1	1	1					
37	2	104200-59170	GASKET 12	2	2	2					
38	2	43400-500390	SEAL WASHER 6	1	1	1					

++ CONTINUE ++



Fig. 27 GASKET KIT (FOR ENGINE)

Y00T2321 27. GASKET KIT (FOR ENGINE)

(A)=3T84HA (D)=  
 (B)=3T84HA-F (E)=  
 (C)=3T84HA-S (F)=

REF.	LEV.	PARTS NO.	DESCRIPTION	QTY					
				(A)	(B)	(C)	(D)	(E)	(F)
39	2	23414-080012	GASKET 8	6	6	6			
40	2	43400-500450	SEAL WASHER 12	2	2	2			

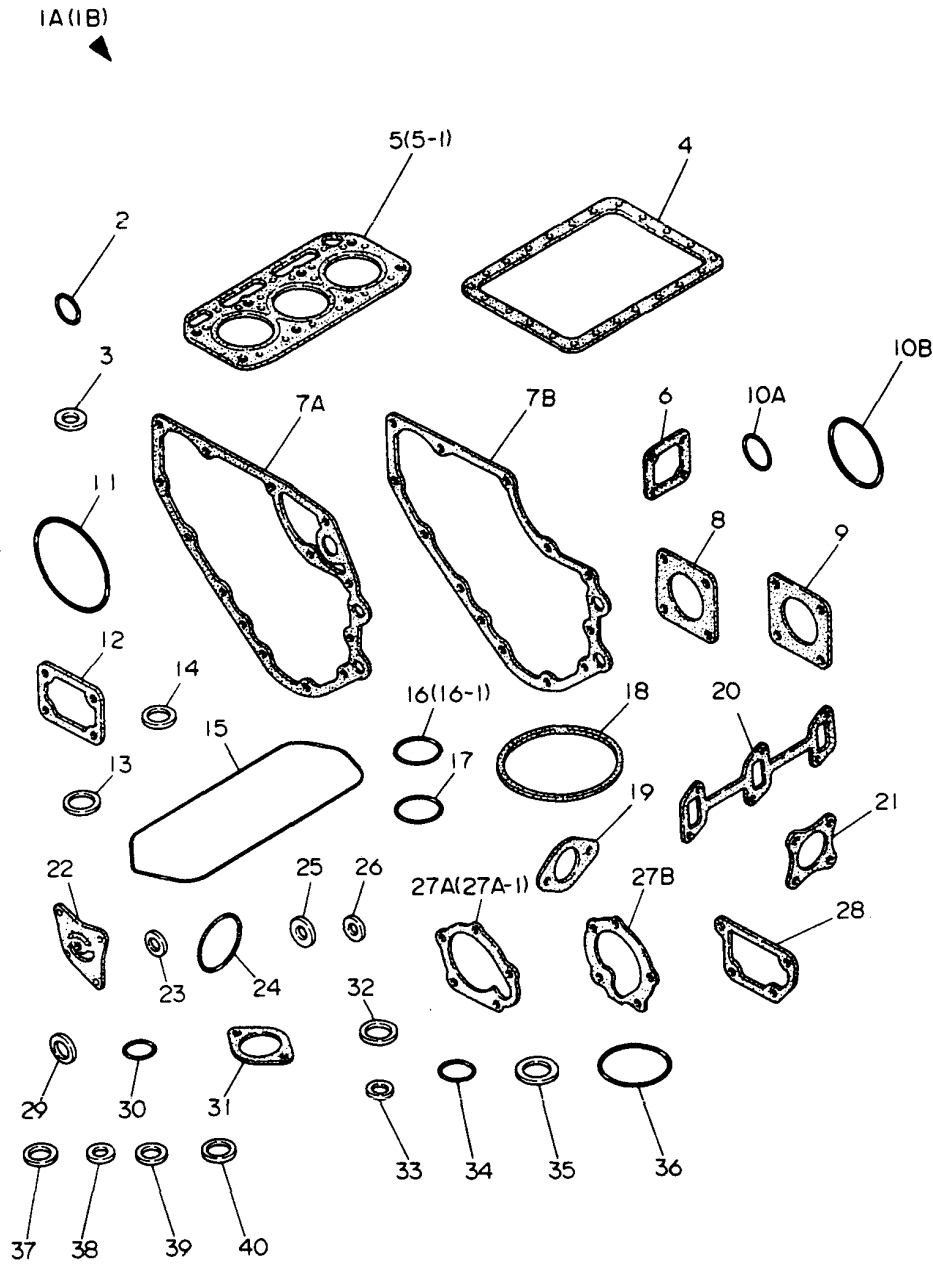
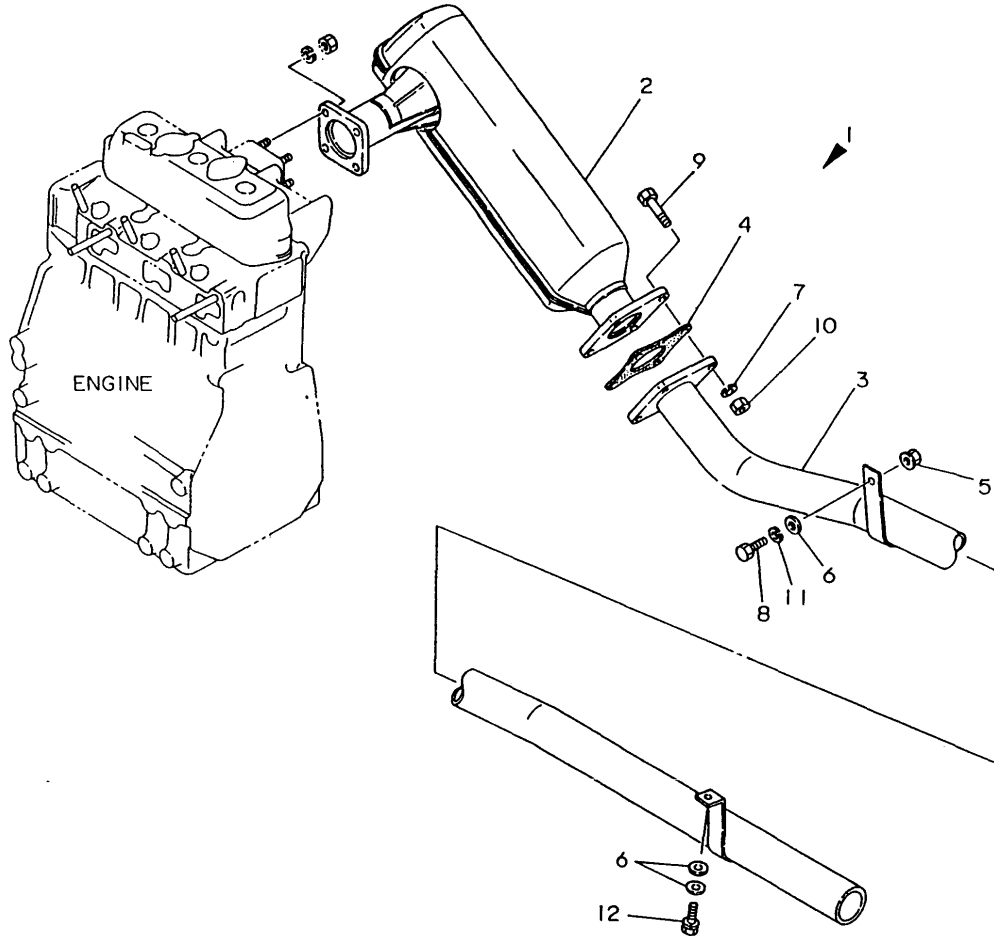


Fig. 28 UNDERSLUNG EXHAUST SILENCER

(A)=YM276 (D)=  
 (B)=YM276D (E)=  
 (C)= (F)=

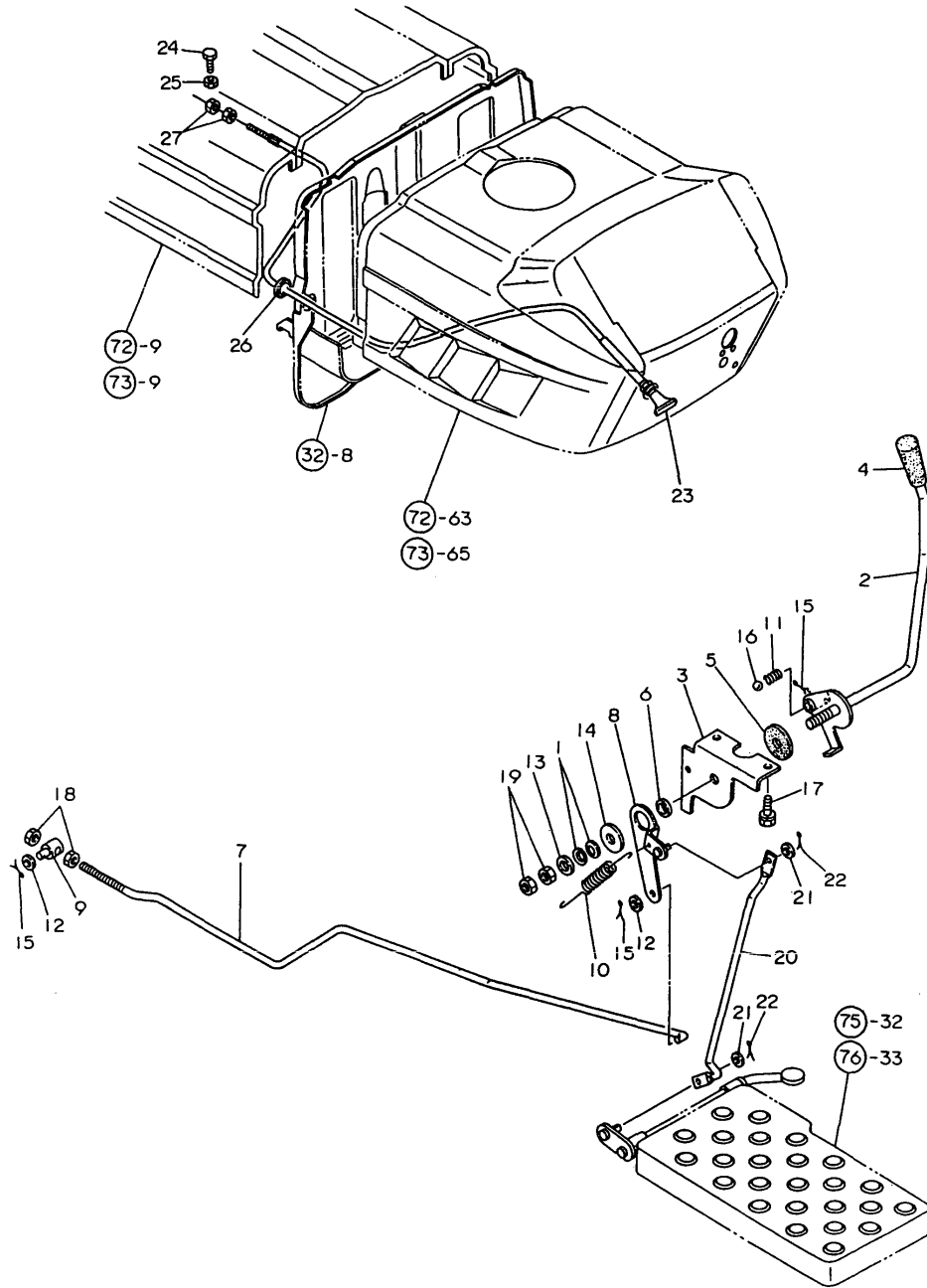


REF.	LEV.	PARTS NO.	DESCRIPTION	QTY						I	R
				(A)	(B)	(C)	(D)	(E)	(F)		
1	1	794170-03410	SILENCER ASSY,EXH.	1	1						
2	2	194170-03410	SILENCER,EXH.	1	1						
3	2	194170-03420-Z	PIPE, EXHAUST	1	1						
4	2	121450-13200	GASKET, SILENCER	1	1						
5	2	194990-22140	NUT W/WASHER 8	1	1						
6	2	22137-080000	WASHER 8, POLISHED	3	3						
7	2	22217-080000	SPRING WASHER 8	4	4						
8	2	26116-080202	BOLT M 8X 20 PLATED	1	1						
8-1	1	26106-080202	BOLT M 8X 20 PLATED	1	1						N
(A=T/# 20648) (B=T/# 41690)											
9	2	26116-080302	BOLT M 8X 30 PLATED	4	4						
9-1	1	26106-080302	BOLT M 8X 30 PLATED	4	4						N
(A=T/# 20648) (B=T/# 41690)											
10	2	26716-080002	NUT M 8	4	4						
11	2	22217-080000	SPRING WASHER 8	1	1						
11-1	2	22217-080000	SPRING WASHER 8	1	1						Z
(A=T/# 20648) (B=T/# 41690)											
12	2	26013-080202	BOLT W/WASHER M8X20	1	1						
12-1	1	26106-080202	BOLT M 8X 20 PLATED	1	1						N
(A=T/# 20648) (B=T/# 41690)											

Fig. 29 THROTTLE (STANDARD)

Y00T2321 29. THROTTLE(STANDARD)

(A)=YM276 (D)=  
 (B)=YM276D (E)=  
 (C)= (F)=

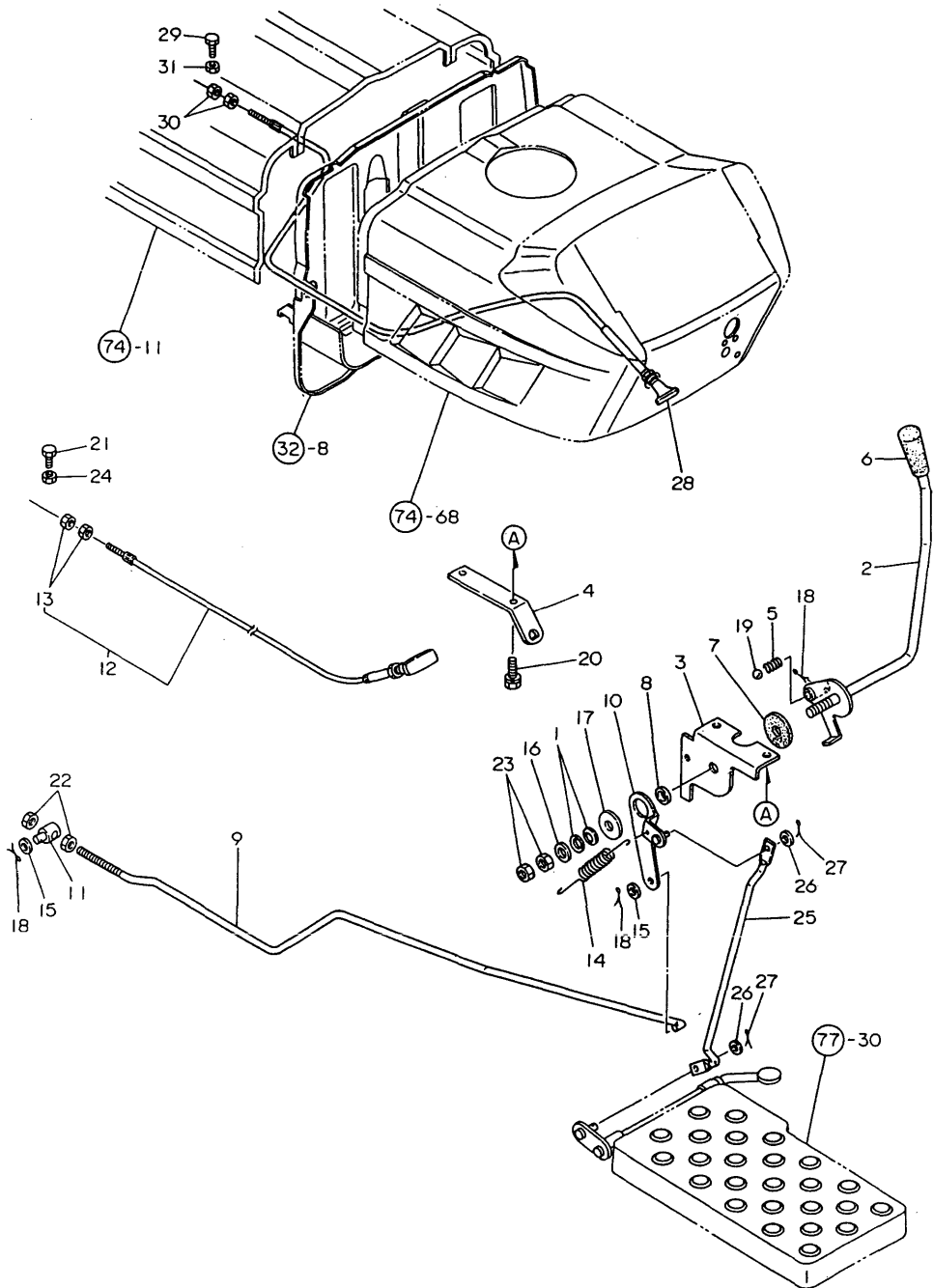


REF.	LEV.	PARTS NO.	DESCRIPTION	QTY						I	R
				(A)	(B)	(C)	(D)	(E)	(F)		
1	1	194740-00160	WASHER 10, CONICAL	2	2						
2-1	1	194170-01110	LEVER, THROTTLE	1	1						
3	1	194275-01140-U	BRACKET, THRTL LEVER	1	1						
4	1	194464-01190	KNOB, THROTTLE LEVER	1	1						
5	1	194145-01260	PLATE, FRICTION	1	1						
5-1	1	198220-01261	PLATE, FRICTION	1	1						N
(A=T/# 20648) (B=T/# 41689)											
6	1	194150-01270	SPACER 20	1	1						
7	1	194170-01320	ROD, THROTTLE LINK	1	1						
8	1	194322-01350	LEVER, THROTTLE LINK	1	1						
9	1	194150-01370	ADJUSTER	1	1						
10	1	194322-04400	SPRING, RETURN	1	1						
11	1	194197-01160	SPRING	1	1						
12	1	22137-080000	WASHER 8, POLISHED	2	2						
13	1	22137-100000	WASHER 10, POLISHED	1	1						
14	1	22157-100000	WASHER 10	1	1						
15	1	22417-160180	COTTER PIN 1.6X18	3	3						
16	1	24190-110001	BALL 11/32, STEEL	1	1						
17	1	26013-080162	BOLT W/WASHER M8X16	2	2						
18	1	26716-080002	NUT M 8	2	2						
19	1	26716-100002	NUT M10	2	2						
20	1	194170-01440-U	ROD, THROTTLE LINK	1	1						
21	1	22137-060000	WASHER 6, POLISHED	2	2						
22	1	22417-160180	COTTER PIN 1.6X18	2	2						
23	1	194145-01501	CABLE ASSY, DECOMP.	1	1						
24	1	26116-050142	BOLT M 5X 14 PLATED	1	1						
25	1	26756-050002	LOCK NUT M 5 PLATED	1	1						
26	1	194440-01150	GROMMET	1	1						Z
(A=FXXXXX) (B=FXXXXX)											
27	1	26716-060002	NUT M 6	2	2						W
(A=T/# 20558) (B=T/# 41292)											

Fig. 30 THROTTLE (ENGLAND)

Y00T2321 30. THROTTLE(ENGLAND)

(A)=YM276 (D)=  
 (B)=YM276D (E)=  
 (C)= (F)=

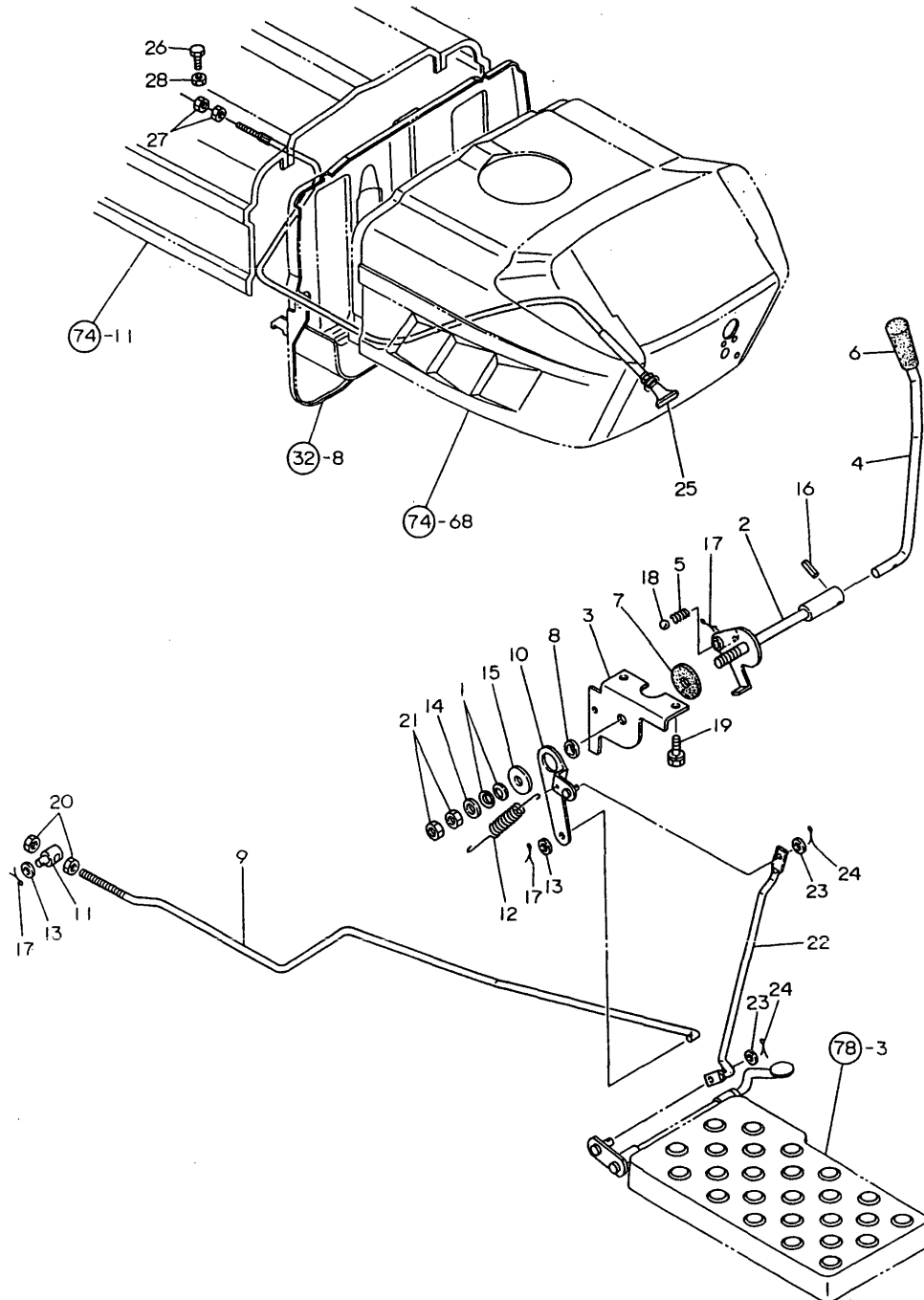


REF.	LEV.	PARTS NO.	DESCRIPTION	QTY						I	R
				(A)	(B)	(C)	(D)	(E)	(F)		
1	1	194740-00160	WASHER 10, CONICAL	2	2						
2	1	194170-01110	LEVER, THROTTLE	1	1						
3	1	194275-01140-U	BRACKET, THRTL LEVER	1	1						
4	1	194172-01150	STAY, STOP LEVER	1	1						
5	1	194197-01160	SPRING	1	1						
6	1	194464-01190	KNOB, THROTTLE LEVER	1	1						
7	1	194145-01260	PLATE, FRICTION	1	1						
7-1	1	198220-01261	PLATE, FRICTION	1	1						N
(A=T/# 20648) (B=T/# 41689)											
8	1	194150-01270	SPACER 20	1	1						
9	1	194170-01320	ROD, THROTTLE LINK	1	1						
10	1	194322-01350	LEVER, THROTTLE LINK	1	1						
11	1	194150-01370	ADJUSTER	1	1						
12	1	194172-01500	WIRE ASSY, STOP	1	1						
13	2	26716-060002	NUT M 6	2	2						
14	1	194322-04400	SPRING, RETURN	1	1						
15	1	22137-080000	WASHER 8, POLISHED	2	2						
16	1	22137-100000	WASHER 10, POLISHED	1	1						
17	1	22157-100000	WASHER 10	1	1						
18	1	22417-160180	COTTER PIN 1.6X18	3	3						
19	1	24190-110001	BALL 11/32, STEEL	1	1						
20	1	26013-080202	BOLT W/WASHER M8X20	2	2						
21	1	26116-050142	BOLT M 5X 14 PLATED	1	1						
22	1	26716-080002	NUT M 8	2	2						
23	1	26716-100002	NUT M10	2	2						
24	1	26756-050002	LOCK NUT M 5 PLATED	1	1						
25	1	194170-01440-U	ROD, THROTTLE LINK	1	1						
26	1	22137-060000	WASHER 6, POLISHED	2	2						
27	1	22417-160180	COTTER PIN 1.6X18	2	2						
28	1	194145-01501	CABLE ASSY, DECOMP.	1	1						
29	1	26116-050142	BOLT M 5X 14 PLATED	1	1						
30	1	26716-060002	NUT M 6	2	2						
31	1	26756-050002	LOCK NUT M 5 PLATED	1	1						

Fig. 31 THROTTLE (SCANDINAVIA)

Y00T2321 31. THROTTLE(SCANDINAVIA)

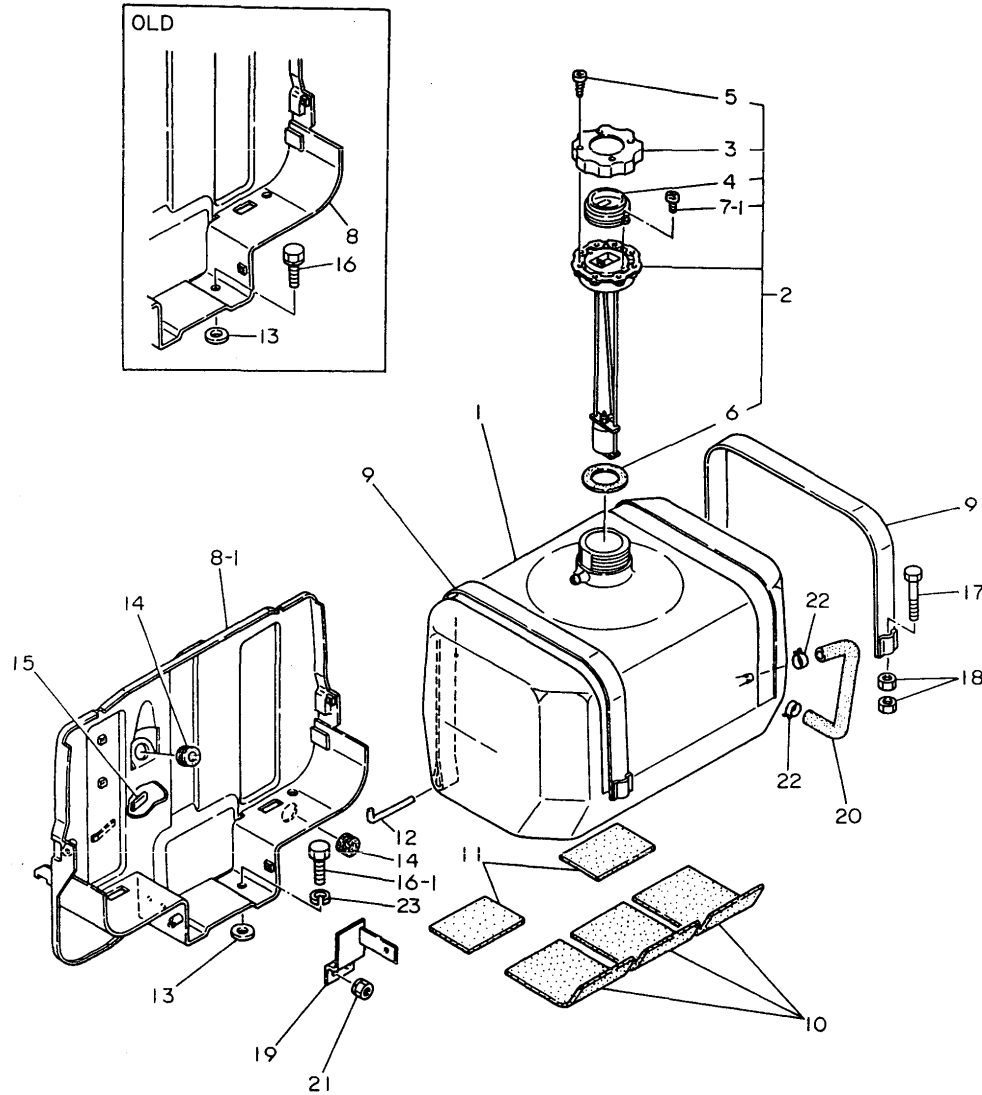
(A)=YM276 (D)=  
 (B)=YM276D (E)=  
 (C)= (F)=



REF.	LEV.	PARTS NO.	DESCRIPTION	QTY						I	R
				(A)	(B)	(C)	(D)	(E)	(F)		
1	1	194740-00160	WASHER 10, CONICAL	2	2						
2	1	194324-01120	LEVER LOWER, THROTTLE	1	1						
3	1	194275-01140-U	BRACKET, THRTL LEVER	1	1						
4	1	194324-01150	LEVER UPPER, THROTTLE	1	1						
5	1	194197-01160	SPRING	1	1						
6	1	194464-01190	KNOB, THROTTLE LEVER	1	1						
7	1	194145-01260	PLATE, FRICTION	1	1						
7-1	1	198220-01261	PLATE, FRICTION	1	1						N
(A=T/# 20648) (B=T/# 41689)											
8	1	194150-01270	SPACER 20	1	1						
9	1	194170-01320	ROD, THROTTLE LINK	1	1						
10	1	194322-01350	LEVER, THROTTLE LINK	1	1						
11	1	194150-01370	ADJUSTER	1	1						
12	1	194322-04400	SPRING, RETURN	1	1						
13	1	22137-080000	WASHER 8, POLISHED	2	2						
14	1	22137-100000	WASHER 10, POLISHED	1	1						
15	1	22157-100000	WASHER 10	1	1						
16	1	22351-040022	SPRING PIN 4X22	1	1						
17	1	22417-160180	COTTER PIN 1.6X18	3	3						
18	1	24190-110001	BALL 11/32, STEEL	1	1						
19	1	26013-080162	BOLT W/WASHER M8X16	2	2						
20	1	26716-080002	NUT M 8	2	2						
21	1	26716-100002	NUT M10	2	2						
22	1	194170-01440-U	ROD, THROTTLE LINK	1	1						
23	1	22137-060000	WASHER 6, POLISHED	2	2						
24	1	22417-160180	COTTER PIN 1.6X18	2	2						
25	1	194145-01501	CABLE ASSY, DECOMP.	1	1						
26	1	26116-050142	BOLT M 5X 14 PLATED	1	1						
27	1	26716-060002	NUT M 6	2	2						
28	1	26756-050002	LOCK NUT M 5 PLATED	1	1						

Fig. 32 FUEL TANK

(A)=YM276 (D)=  
 (B)=YM276D (E)=  
 (C)= (F)=

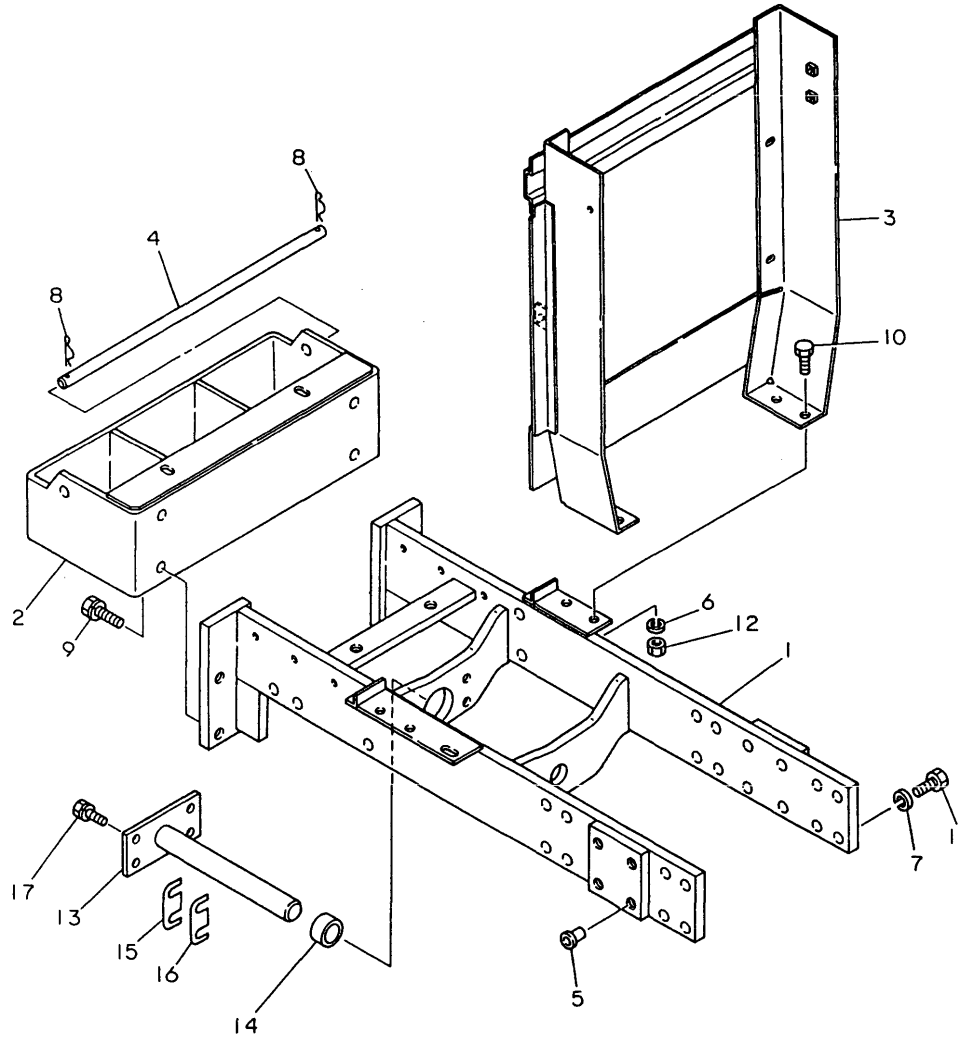


REF.	LEV.	PARTS NO.	DESCRIPTION	QTY						I	R
				(A)	(B)	(C)	(D)	(E)	(F)		
1	1	194145-04112	TANK (32L), FUEL	1	1						
2	1	194145-04302	CAP W/GAUGE, F. TANK	1	1						
3	2	194145-04311	CAP, FUEL TANK	1	1						
4	2	194145-04351	LENS	1	1						
5	2	194145-04460	SCREW 4X12	4	4						
6	2	194145-04521	GASKET	1	1						
7-1	2	26557-030062	SCREW M 3X 6	2	2						
8	1	194170-04210-X	BRACKET, FUEL TANK	1	1						
8-1	1	194170-04211-X	BRACKET	1	1						N
(A=T/# 20430) (B=T/# 40844)											
9	1	194275-04251-U	BAND	2	2						
10	1	194151-04260	GASKET, RUBBER	3	3						
11	1	194130-04271	GASKET, FO-TANK	2	2						
12	1	194275-04280	PIN	2	2						
12-1	1	194275-04281	PIN	2	2						N
(A=*1982.01) (B=*1982.01)											
13	1	194145-04810	WASHER 10	2	2						
14	1	194162-58830	GROMMET 20	2	2						
15	1	23061-070035	PIPE 7X 35	1	1						
16	1	26013-100202	BOLT W/WASHER M10X20	2	2						
16-1	1	26116-100202	BOLT M10X 20 PLATED	2	2						N
(A=*1981.11) (B=*1981.11)											
17	1	26116-080502	BOLT M 8X 50 PLATED	2	2						
18	1	26716-080002	NUT M 8	4	4						
19	1	194170-04710-X	BRACKET	1	1						
20	1	194151-04720	PIPE, FUEL	1	1						
21	1	194990-22050	NUT W/WASHER 8	2	2						
22	1	124766-59050	CLAMP 12	2	2						
22-1	1	23080-012000	CLAMP 12	2	2						N
(A=T/# 20590) (B=T/# 41431)											
23	1	22217-100000	SPRING WASHER 10	2	2						W
(A=*1981.11) (B=*1981.11)											

Fig. 33 FRONT AXLE BRACKET (STANDARD)

Y00T2321 33. FRONT AXLE BRACKET(STANDARD)

(A)=YM276 (D)=  
 (B)=YM276D (E)=  
 (C)= (F)=

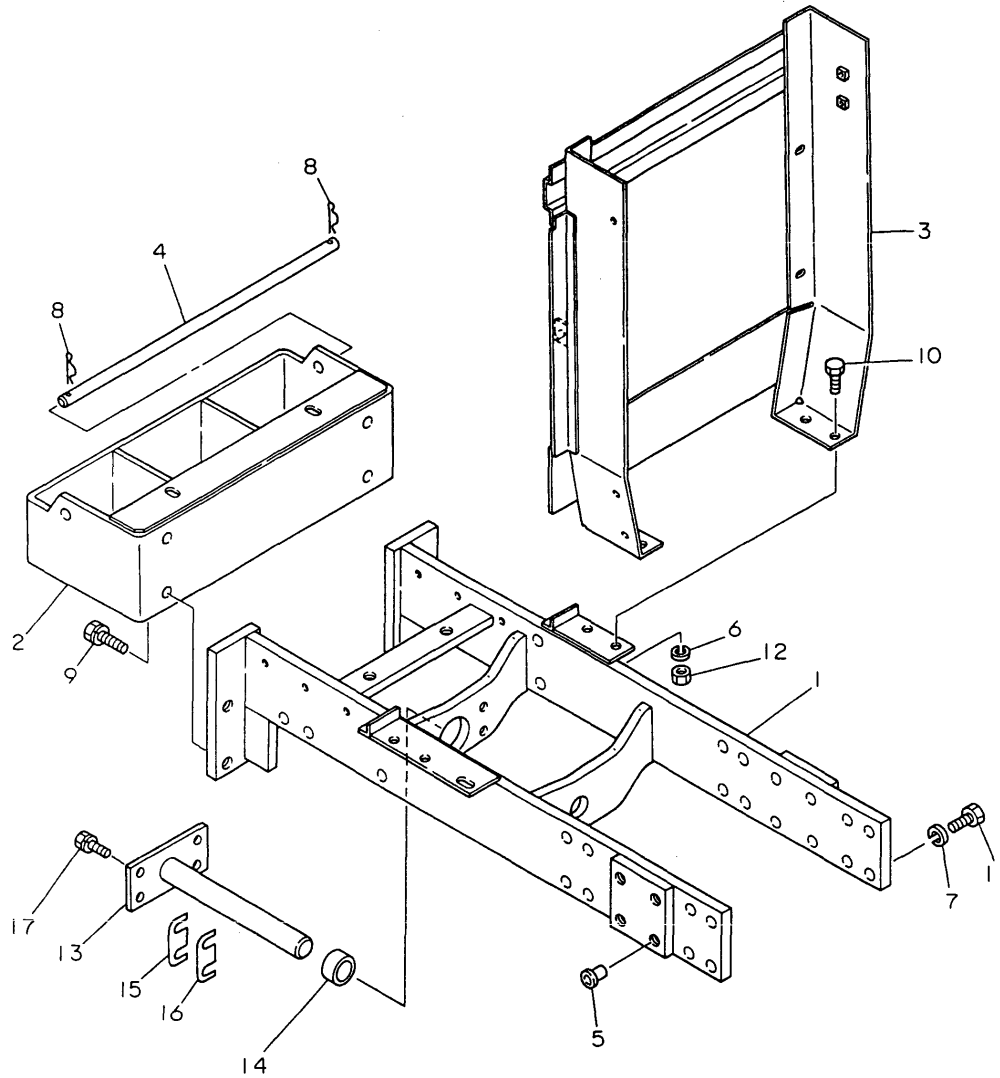


REF.	LEV.	PARTS NO.	DESCRIPTION	QTY						I	R
				(A)	(B)	(C)	(D)	(E)	(F)		
1	1	194170-11110-X	BRACKET, FRONT AXLE	1	1						
2	1	194322-11120-X	HITCH, FRONT	1	1						
3	1	194170-11130-X	BRACKET, RADIATOR	1	1						
4	1	194145-11140	PIN, LOCK	1	1						
5	1	194150-21910	PLUG 11.2	8	8						
6	1	22217-100000	SPRING WASHER 10	4	4						
7	1	22217-120000	WASHER 12,SPRING	16	16						
8	1	22360-160000	SNAP PIN 16	2	2						
9	1	26013-140302	BOLT M14X 30	4	4						
10	1	26116-100252	BOLT M10X 25 PLATED	4	4						
11	1	26116-120322	BOLT M12X 32 PLATED	16	16						
12	1	26716-100002	NUT M10	4	4						
13	1	194311-11510-X	PIN, CENTER	1	1						
14	1	194311-11520	SPACER 30X55X18	1	1						
15	1	194191-13232	SHIM (T=0.5)	4	4						1
16	1	194191-13240	SHIM (T=0.25)	4	4						1
17	1	26013-120302	BOLT W/WASHER M12X30	4	4						

Fig. 34 FRONT AXLE BRACKET (ENGLAND)

Y00T2321 34. FRONT AXLE BRACKET(ENGLAND)

(A)=YM276 (D)=  
 (B)=YM276D (E)=  
 (C)= (F)=



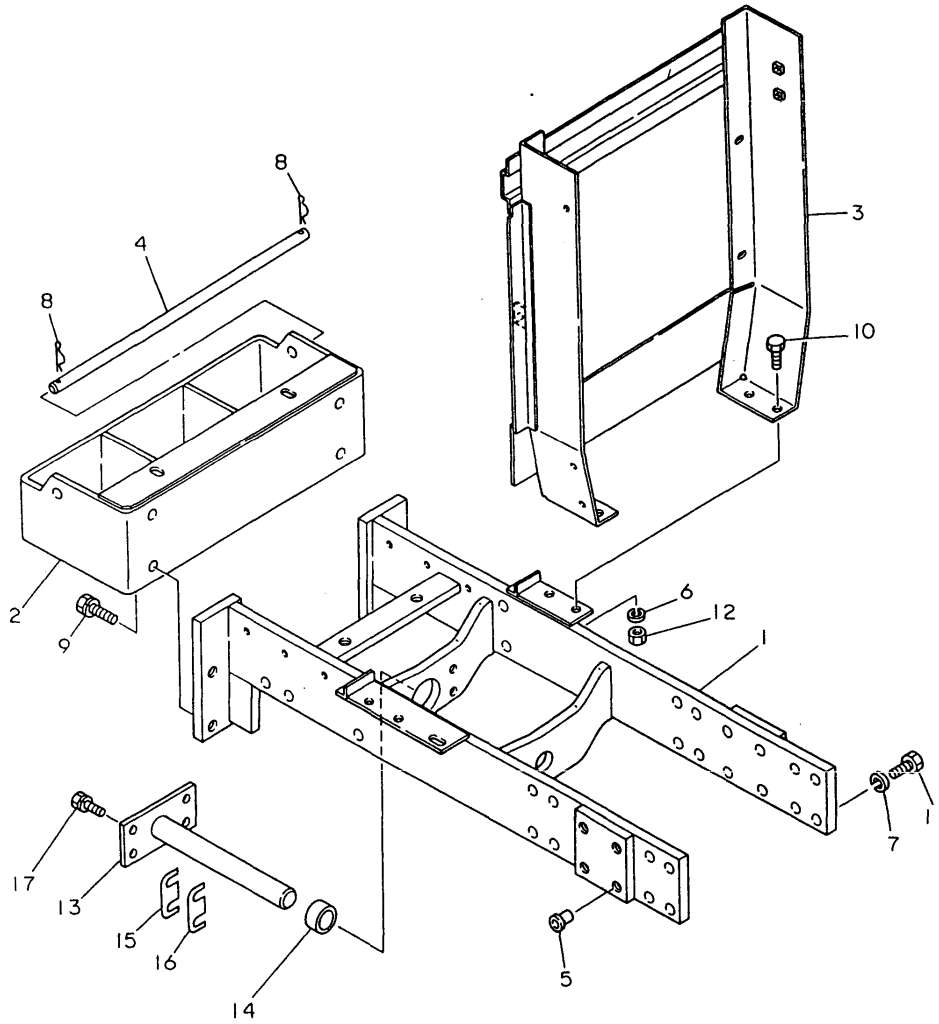
REF.	LEV.	PARTS NO.	DESCRIPTION	QTY						I	R
				(A)	(B)	(C)	(D)	(E)	(F)		
1	1	194170-11110-X	BRACKET, FRONT AXLE	1	1						
2	1	194322-11120-X	HITCH, FRONT	1	1						
3	1	194172-11130-X	BRACKET,RADIATOR	1	1						
4	1	194145-11140	PIN, LOCK	1	1						
5	1	194150-21910	PLUG 11.2	8	8						
6	1	22217-100000	SPRING WASHER 10	4	4						
7	1	22217-120000	WASHER 12,SPRING	16	16						
8	1	22360-160000	SNAP PIN 16	2	2						
9	1	26013-140302	BOLT M14X 30	4	4						
10	1	26116-100252	BOLT M10X 25 PLATED	4	4						
11	1	26116-120322	BOLT M12X 32 PLATED	16	16						
12	1	26716-100002	NUT M10	4	4						
13	1	194311-11510-X	PIN, CENTER	1	1						1
14	1	194311-11520	SPACER 30X55X18	1	1						
15	1	194191-13232	SHIM (T=0.5)	4	4						1
16	1	194191-13240	SHIM (T=0.25)	4	4						1
17	1	26013-120302	BOLT W/WASHER M12X30	4	4						
18	1	194172-05070	STAY,COVER	1	1						
19	1	194172-05100	COVER(L), SAFETY	1	1						
20	1	194172-05150	COVER(R), SAFETY	1	1						
21	1	194172-05220	COVER(B), SAFETY	1	1						
22	1	194172-05310	COVER(C), SAFETY	1	1						
23	1	26013-080162	BOLT W/WASHER M8X16	2	2						
24	1	26014-080162	BOLT M 8X 16	4	4						
25	1	26014-080162	BOLT M 8X 16	4	4						
26	1	26014-080162	BOLT M 8X 16	3	3						
27	1	26014-080162	BOLT M 8X 16	4	4						
28	1	26716-080002	NUT M 8	1	1						



Fig. 35 FRONT AXLE BRACKET (SCANDINAVIA)

Y00T2321 35. FRONT AXLE BRACKET(SCANDINAVIA)

(A)=YM276 (D)=  
 (B)=YM276D (E)=  
 (C)= (F)=

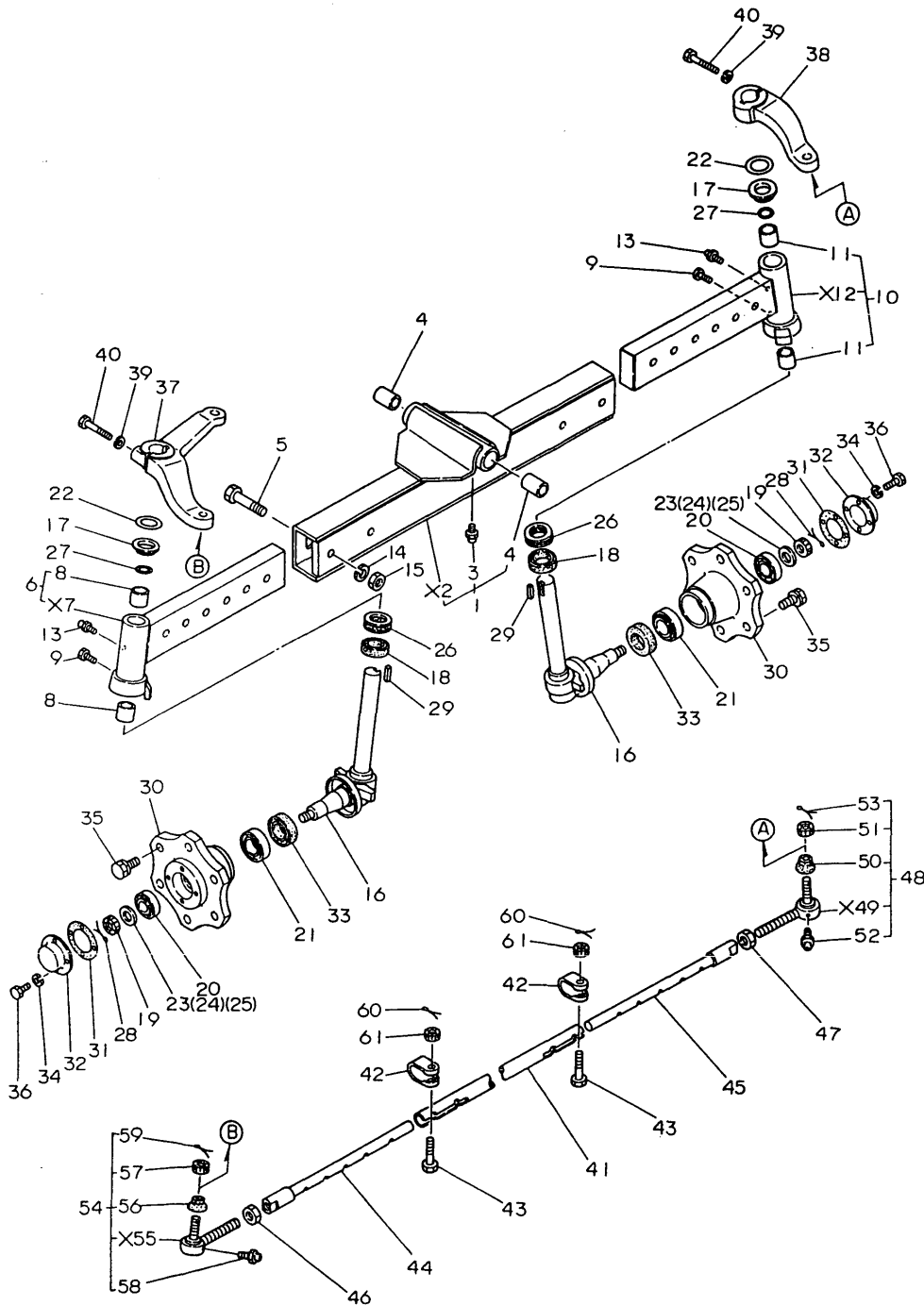


REF.	LEV.	PARTS NO.	DESCRIPTION	QTY						I	R
				(A)	(B)	(C)	(D)	(E)	(F)		
1	1	194170-11110-X	BRACKET, FRONT AXLE	1	1						
2	1	194322-11120-X	HITCH, FRONT	1	1						
3	1	194172-11130-X	BRACKET,RADIATOR	1	1						
4	1	194145-11140	PIN, LOCK	1	1						
5	1	194150-21910	PLUG 11.2	8	8						
6	1	22217-100000	SPRING WASHER 10	4	4						
7	1	22217-120000	WASHER 12,SPRING	16	16						
8	1	22360-160000	SNAP PIN 16	2	2						
9	1	26013-140302	BOLT M14X 30	4	4						
10	1	26116-100252	BOLT M10X 25 PLATED	4	4						
11	1	26116-120322	BOLT M12X 32 PLATED	16	16						
12	1	26716-100002	NUT M10	4	4						
13	1	194311-11510-X	PIN, CENTER	1	1						1
14	1	194311-11520	SPACER 30X55X18	1	1						
15	1	194191-13232	SHIM (T=0.5)	4	4						1
16	1	194191-13240	SHIM (T=0.25)	4	4						1
17	1	26013-120302	BOLT W/WASHER M12X30	4	4						

Fig. 36 FRONT AXLE [For Model YM276]

Y00T2321 36. FRONT AXLE (FOR YM276)

(A)=YM276 (D)=  
 (B)=YM276D (E)=  
 (C)= (F)=



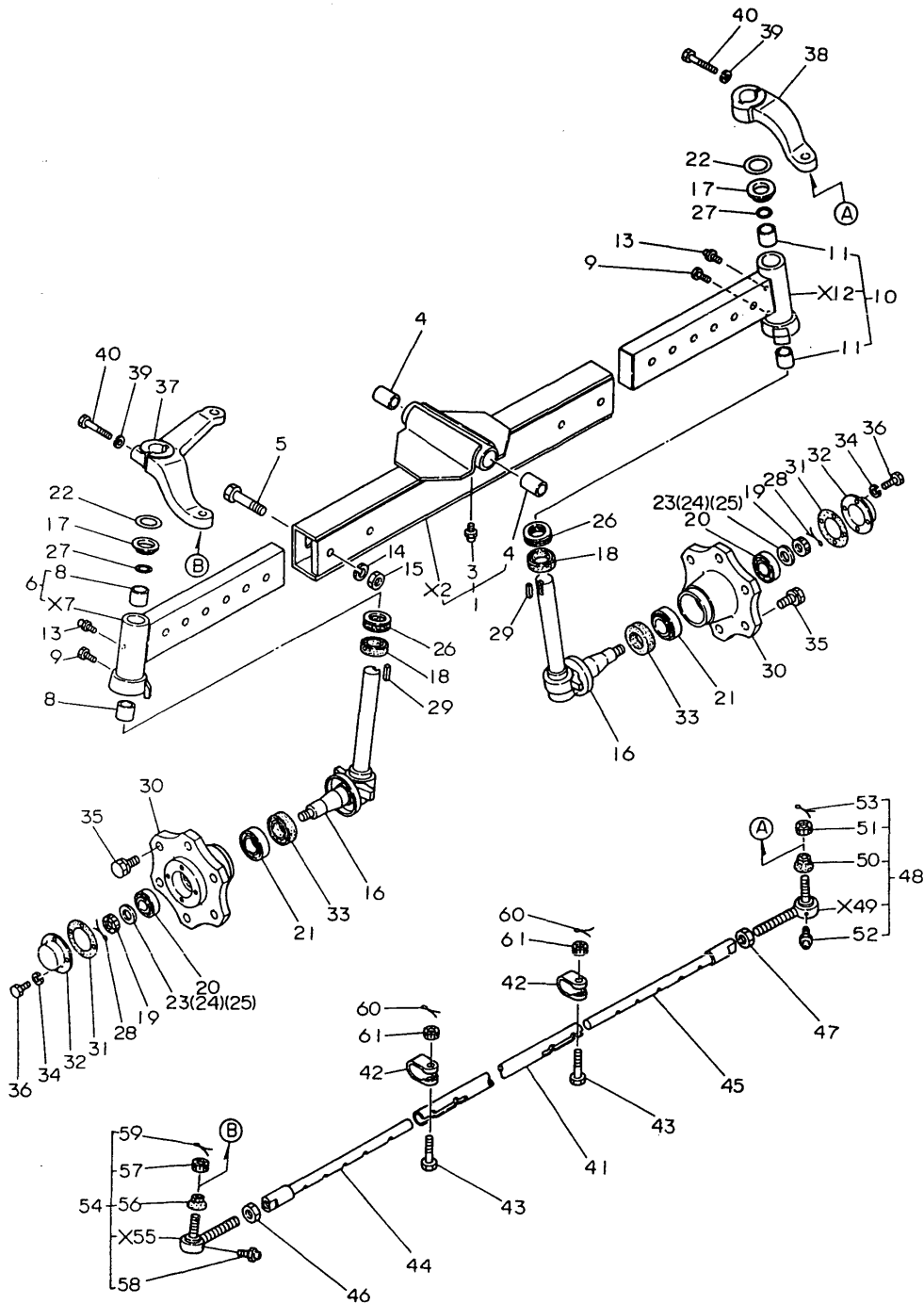
REF.	LEV.	PARTS NO.	DESCRIPTION	QTY						I	R
				(A)	(B)	(C)	(D)	(E)	(F)		
1	1	194170-11200-X	AXLE ASSY, FRONT	1							
3	2	194151-11480	GREASE NIPPLE A	1							
3-1	2	24761-060000	NIPPLE MT6X1, GREASE	1							N
(A=*1982.05)											
4	2	194312-11520	BUSH 30X34X25	2							
5	1	194145-11240	BOLT M16X 70	4							
6	1	194170-11300-X	EXTENSION	1							
8	2	194464-11340	BUSH 30X34X32	2							
9	1	194145-11350	BOLT M 6X 5	2							
10	1	194170-11400-X	EXTENSION	1							
11	2	194464-11340	BUSH 30X34X32	2							
13	1	194151-11480	GREASE NIPPLE A	2							
13-1	1	24761-060000	NIPPLE MT6X1, GREASE	2							N
(A=*1982.05)											
14	1	22217-160000	SPRING WASHER 16	4							
15	1	26716-160002	NUT M16	4							
16	1	194145-11801-X	PIN ASSY, KING	2							
17	1	194145-11820	COVER, KING PIN	2							
18	1	194145-11860	SEAL TC 385209, OIL	2							
19	1	194145-11870	CASTLE NUT	2							
20	1	194145-11910	ROLLER BEARING	2							
20-1	1	24141-302050	ROLLER BEARING	2							N
(A=T/# 20646)											
21	1	194145-11920	ROLLER BEARING	2							
22	1	194145-11930	SHIM	2							
23	1	194145-11970	WASHER T=3	2							1
24	1	194145-11980	WASHER T=3	2							1
25	1	194145-11990	WASHER T=3	2							1
26	1	1A1030-12200	BALL BEARING	2							
27	1	194990-57740	O-RING 30X2.4	2							
28	1	22417-400450	COTTER PIN 4.0X45	2							
29	1	22512-100340	KEY 10X 34	2							
30	1	194145-12611-X	HUB, FRONT WHEEL	2							
31	1	194145-12630	GASKET	2							
32	1	194145-12640-X	CAP, FRONT WHEEL HUB	2							
33	1	194130-12720	SEAL TC6 406219, OIL	2							
34	1	22217-060000	SPRING WASHER 6	8							
35	1	26013-140252	BOLT M14X 25	12							
35-1	1	194180-12650	BOLT M14X 25	12							N
(A=*1982.10)											
35-2	1	194278-12650	BOLT W/WASHER M14X25	12							N
(A=T/# 20611)											
36	1	26116-060122	BOLT M 6X 12	8							
36-1	1	26106-060102	BOLT M 6X 10 PLATED	8							N
(A=T/# 20648)											
37	1	194312-12110-X	ARM, KNUCKLE	1							
38	1	194240-14210-X	ARM, KNUCKLE	1							
39	1	22217-120000	WASHER 12,SPRING	2							
40	1	26116-120602	BOLT M12X 60 PLATED	2							
41	1	194170-12310-X	TIE-ROD	1							
42	1	194145-12322-X	CLAMP	4							
43	1	194145-12331	BOLT M10X 50	4							
44	1	194145-12340-X	EXTENSION(L),TIE-ROD	1							
45	1	194145-12350-X	EXTENSION(R),TIE-ROD	1							

++ CONTINUE ++

Fig. 36 FRONT AXLE [For Model YM276]

Y00T2321 36. FRONT AXLE (FOR YM276)

(A)=YM276 (D)=  
 (B)=YM276D (E)=  
 (C)= (F)=

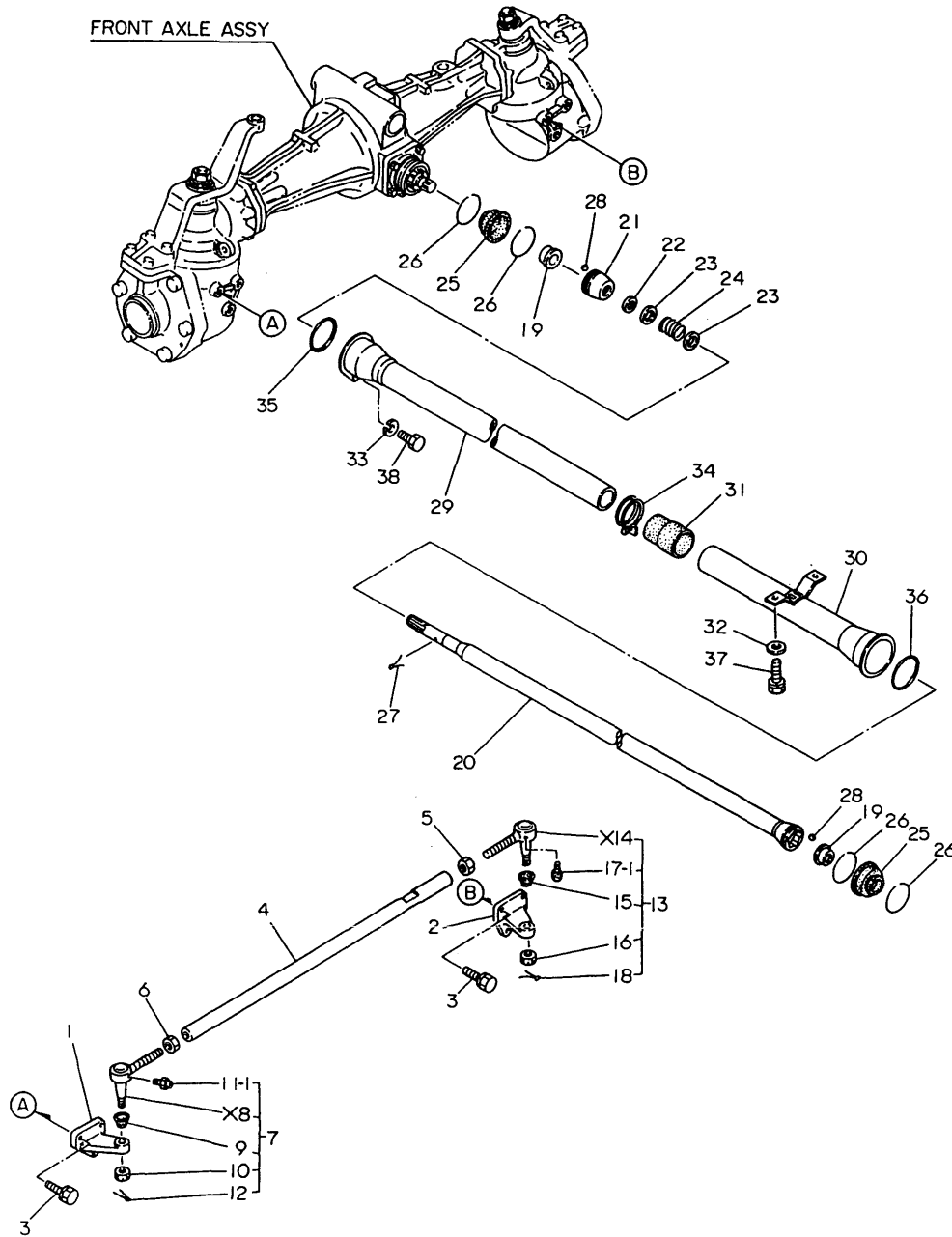


REF.	LEV.	PARTS NO.	DESCRIPTION	QTY						I	R
				(A)	(B)	(C)	(D)	(E)	(F)		
46	1	194990-22830	NUT M17	1							
47	1	194990-22840	NUT M17	1							
48	1	794730-57122-X	END(RL) ASSY,TIE-ROD	1							
48-1	1	194730-57120-X	END(RL)ASSY, TIE-ROD	1							N
		(A=T/# 20586)									
50	2	194730-57220	COVER, DUST	1							
51	2	194730-57241	NUT M12	1							
52	2	194730-57411	GREASE NIPPLE A	1							
52-1	2	24761-060000	NIPPLE MT6X1, GREASE	1							N
		(A=*1982.05)									
53	2	22417-300250	COTTER PIN 3.0X 25	1							
54	1	794730-57132-X	END ASSY, TIE-ROD	1							
54-1	1	194730-57130-X	ROD END ASSY (LR)	1							N
		(A=T/# 20586)									
56	2	194730-57220	COVER, DUST	1							
57	2	194730-57241	NUT M12	1							
58	2	194730-57411	GREASE NIPPLE A	1							
58-1	2	24761-060000	NIPPLE MT6X1, GREASE	1							N
		(A=*1982.05)									
59	2	22417-300250	COTTER PIN 3.0X 25	1							
60	1	22417-250250	COTTER PIN 2.5X25	4							
61	1	26837-100002	CASTLE NUT M10	4							

Fig. 37 PROPELLER SHAFT OF FRONT AXLE [For Model YM276D]

Y00T2321 37. PROPELLER SHAFT (FOR YM276D)

(A)=YM276 (D)=  
 (B)=YM276D (E)=  
 (C)= (F)=

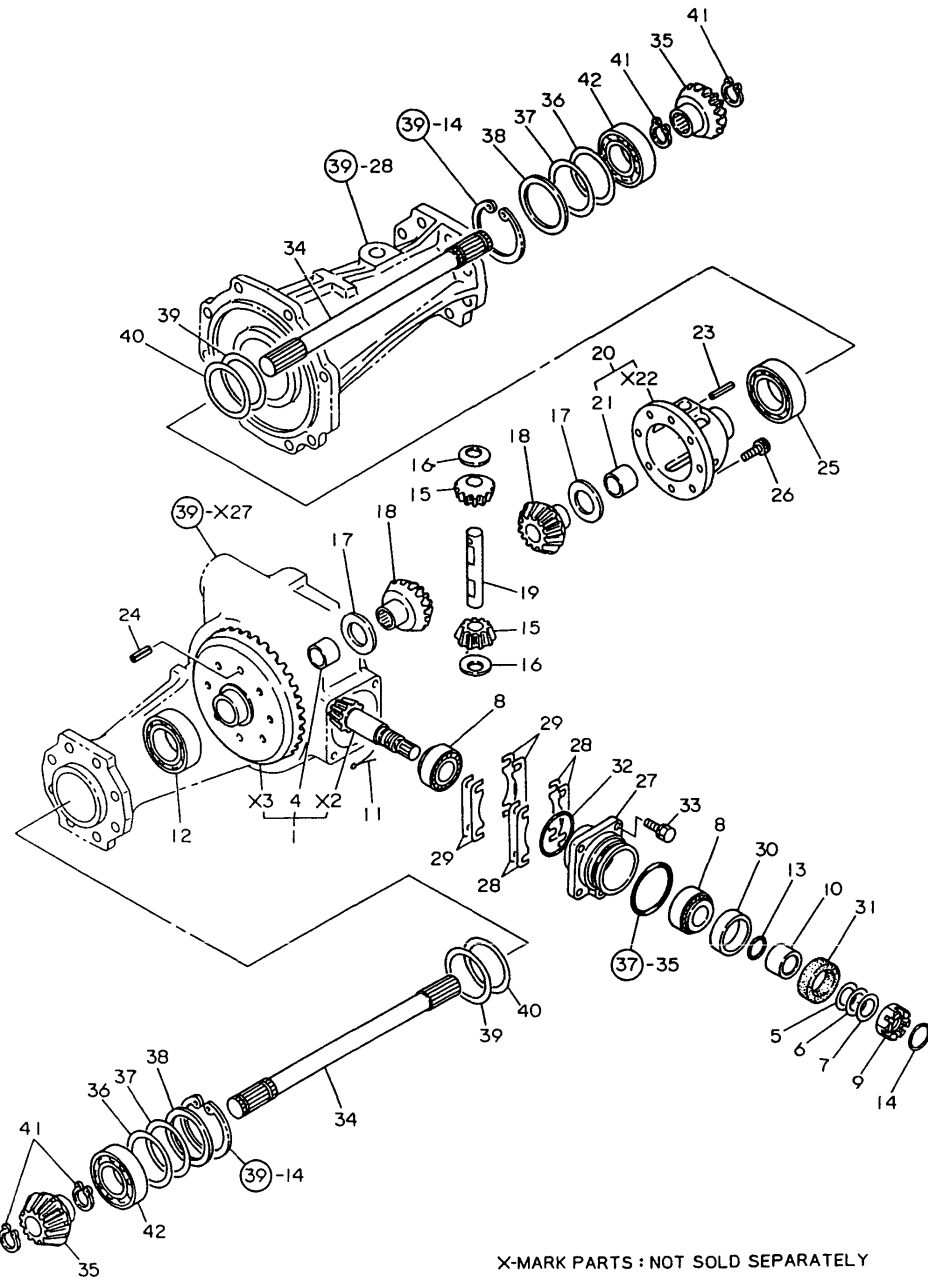


REF.	LEV.	PARTS NO.	DESCRIPTION	QTY						I	R
				(A)	(B)	(C)	(D)	(E)	(F)		
1	1	194311-12110-X	ARM, KNUCKLE		1						
2	1	194311-12210-X	ARM, KNUCKLE		1						
3	1	26013-100282	BOLT M10X 28		6						
3-1	1	26013-100302 (B=*1982.11)	BOLT M10X 30		6						N
4	1	194313-12310-X	TIE-ROD		1						
5	1	194990-22830	NUT M17		1						
6	1	194990-22840	NUT M17		1						
7	1	794730-57122-X	END(RL) ASSY,TIE-ROD		1						
7-1	1	194730-57120-X (B=T/# 41391)	ROD END ASSY (RL)		1						N
9	2	194730-57220	COVER, DUST		1						
10	2	194730-57241	NUT M12		1						
11-1	2	24761-060000	NIPPLE MT6X1, GREASE		1						
12	2	22417-300250	COTTER PIN 3.0X 25		1						
13	1	794730-57132-X	END(LR) ASSY,TIE-ROD		1						
13-1	1	194730-57130-X (B=T/# 41391)	ROD END ASSY (LR)		1						N
15	2	194730-57220	COVER, DUST		1						
16	2	194730-57241	NUT M12		1						
17-1	2	24761-060000	NIPPLE MT6X1, GREASE		1						
18	2	22417-300250	COTTER PIN 3.0X 25		1						
19	1	194191-13270	SLEEVE		2						
20	1	194171-13300-X	SHAFT ASSY,PROPELLER		1						
21	1	194191-13331-X	COUPLING		1						
22	1	194191-13340	SEAL, SPLINE SHAFT		1						
23	1	194191-13350	SPACER 20X30X1.6		2						
24	1	194311-13360	SPRING, TENSION		1						
25	1	194191-13370	BOOT (RUBBER)		2						
25-1	1	194640-13340 (B=T/# 41391)	BOOT, RUBBER		2						N
26	1	194150-51620 (B=T/# 41391)	CLAMP, WIRE HARNESS		4						Z
27	1	22417-400400	COTTER PIN 4.0X40		1						
28	1	24190-100001	BALL 5/16, STEEL		12						
29	1	194362-14610-X	COVER, FRONT SHAFT		1						
30	1	194171-14640-X	COVER, REAR SHAFT		1						
31	1	194362-14650	BOOT, RUBBER		1						
32	1	22137-080000	WASHER 8, POLISHED		2						
33	1	22217-100000	SPRING WASHER 10		1						
34	1	23010-060000	CLAMP 60		1						
35	1	24321-000600	O-RING 1A G-60.0		1						
36	1	24321-000600	O-RING 1A G-60.0		1						
37	1	26013-080162	BOLT W/WASHER M8X16		2						
38	1	26126-100162	BOLT M10X 16 PLATED		1						
38-1	1	26116-100162 (B=T/# 40866)	BOLT M10X 16 PLATED		1						N

Fig. 38 1st SHAFT & RING GEAR OF FRONT AXLE [For Model YM276D]

Y00T2321 38. 1ST SHAFT & RING GEAR (YM276D)

(A)=YM276 (D)=  
 (B)=YM276D (E)=  
 (C)= (F)=



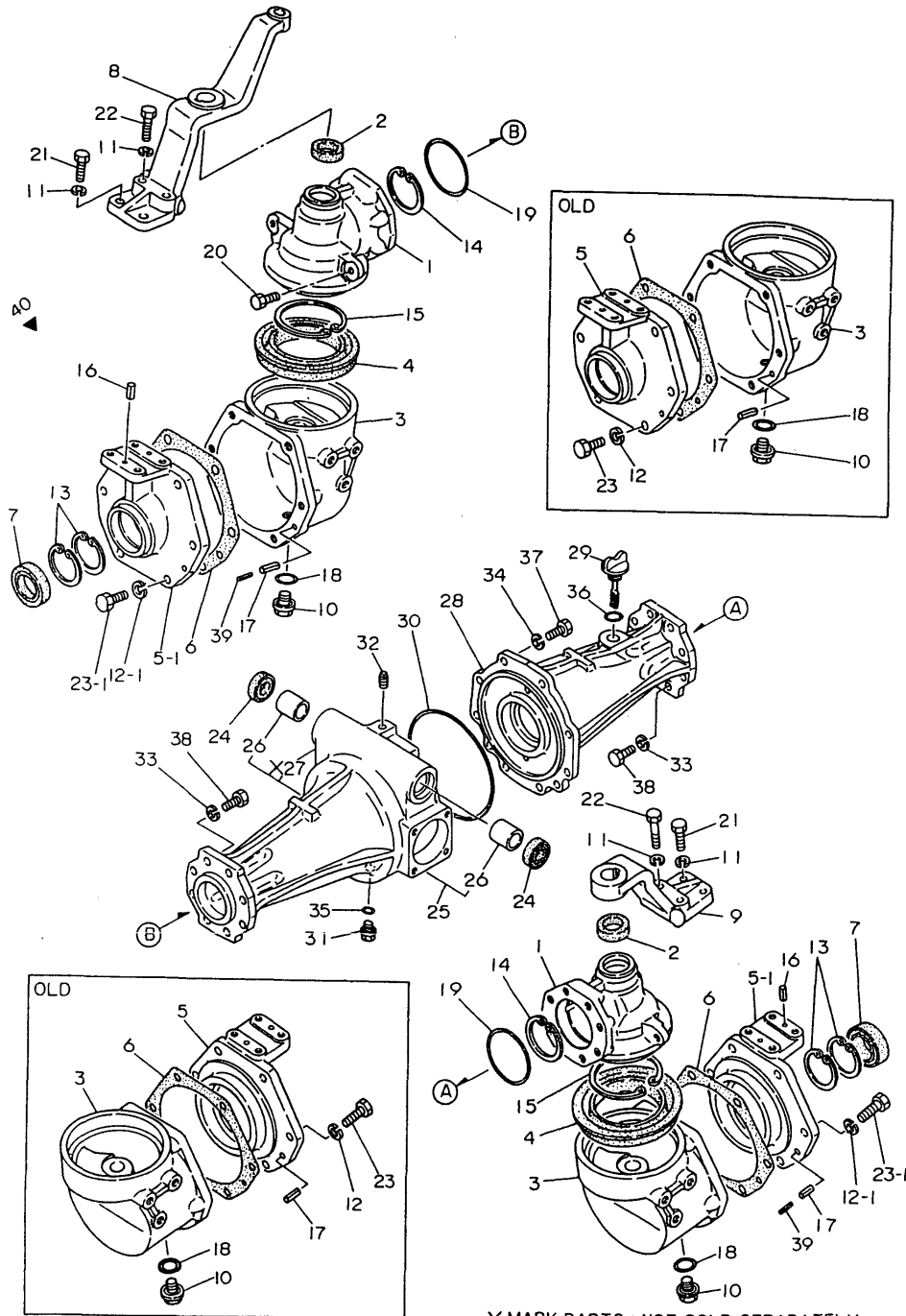
X-MARK PARTS : NOT SOLD SEPARATELY

REF.	LEV.	PARTS NO.	DESCRIPTION	QTY						I	R
				(A)	(B)	(C)	(D)	(E)	(F)		
1	1	194311-13101	GEAR ASSY, RING		1						
4	2	194190-31490	BUSH 32X36X20		1						
5	1	194311-13130	SHIM (A)		1						1
6	1	194311-13140	SHIM (B)		1						1
7	1	194311-13150	SHIM (C)		1						1
8	1	194191-13530	ROLLER BEARING		2						
9	1	194191-13540	CASTLE NUT M28X1.5		1						
10	1	194191-13671	COLLAR 28X40X12		1						
11	1	22417-250400	COTTER PIN 2.5X40		1						
12	1	24101-060094	BALL BEARING		1						
13	1	24311-000210	O-RING 1A P-21.0		1						
14	1	24341-000250	O-RING 1A S-25.0		1						
15	1	194740-10850	PINION, DIFFERENTIAL		2						
16	1	194740-10870	SHIM		2						
17	1	194740-10880	SPACER		2						
18	1	194190-31510	GEAR, DIFFERENTIAL		2						
19	1	194420-31820	SHAFT, DIFFERENTIAL		1						
20	1	194190-32100	HOUSING ASSY, DIFF.		1						
21	2	194190-31490	BUSH 32X36X20		1						
23	1	22351-040025	PIN 4X25,SPRING		1						
24	1	22351-080018	SPRING PIN 8X18		2						
25	1	24101-060094	BALL BEARING		1						
26	1	26450-080182	BOLT M 8X 18		6						
27	1	194311-13450-X	CAP		1						
28	1	194311-13460	SHIM(A) T=0.3		4						2
29	1	194311-13470	SHIM(B) T=0.2		4						2
30	1	194191-13662	COLLAR 52.4X55X6		1						
31	1	194191-13681	SEAL TC40 55 8, OIL		1						
31-1	1	24421-405508	SEAL TC40 55 08, OIL		1						
32	1	24341-000630	O-RING 1A S-63.0		1						
33	1	26013-080222	BOLT M 8X 22		4						
33-1	1	26013-080252 (B=*1982.11)	BOLT M 8X 25		4						N
34	1	194313-13510	SHAFT, FRONT AXLE		2						
34-1	1	194313-13511 (B=T/# 41182)	SHAFT, FRONT AXLE		2						N
35	1	194311-13520	PINION, DRIVE SHAFT		2						
36	1	194311-13530	SHIM(A) L=0.2		4						3
37	1	194311-13540	SHIM(B) L=0.3		4						3
38	1	194311-13550	SPACER		2						
39	1	194190-31120	SHIM(A) L=0.3		2						4
40	1	194190-31130	SHIM(B) L=0.2		2						4
41	1	22242-000240	CIRCLIP 24		4						
42	1	24101-062074	BALL BEARING		2						

Fig. 39 CASING OF FRONT AXLE [For Model YM276D]

Y00T2321 39. CASING OF FRONT AXLE (YM276D)

(A)=YM276 (D)=  
 (B)=YM276D (E)=  
 (C)= (F)=



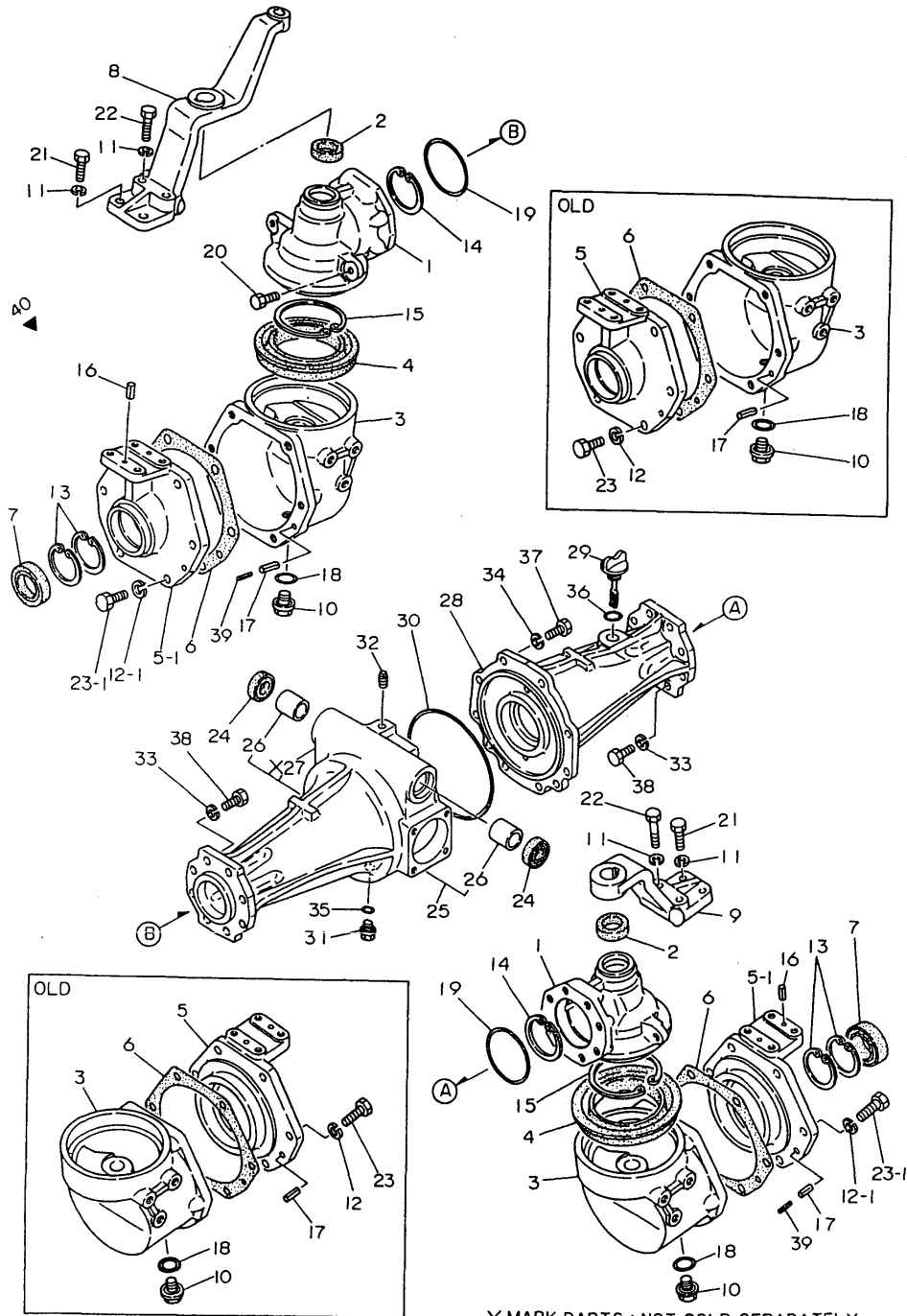
X-MARK PARTS : NOT SOLD SEPARATELY

REF.	LEV.	PARTS NO.	DESCRIPTION	QTY						I	R
				(A)	(B)	(C)	(D)	(E)	(F)		
1	1	194313-13710-X	CASE, SIDE GEAR		2						
2	1	194311-13720	SEAL TCX6 25 40 7		2						
3	1	194311-13751-X	BOX, FRONT GEAR		2						
4	1	194311-13760	SEAL TCS115 145 13.5		2						
5	1	194311-13771-X	CASE, FRONT BEARING		2						
5-1	1	194311-13772-X	CASE, FRONT BEARING		2						N
		(B=T/# 41193)									
5-2	1	194171-13770-X	CASE, FRONT BEARING		2						S 1
		(B=T/# 41681)									
6	1	194362-13780	GASKET		2						
7	1	194313-13790	SEAL TC6Y50 68 12.5		2						
7-1	1	194171-13870	SEAL TC6Y689013		2						S 1
		(B=T/# 41681)									
8	1	194313-13810-X	SUPPORT, KING PIN		1						
9	1	194313-13820-X	SUPPORT, KING PIN		1						
10	1	194151-24770	PLUG 14, OIL		2						
10-1	1	23491-140002	PLUG 14		2						N
		(B=T/# 41534)									
11	1	22217-100000	SPRING WASHER 10		8						
12	1	22217-120000	WASHER 12,SPRING		12						
12-1	1	194274-13580	SPRING WASHER 12		12						N
		(B=T/# 40464)									
13	1	22252-000680	CIRCLIP 68		4						
13-1	1	22252-000900	CIRCLIP 90		4						S 1
		(B=T/# 41681)									
14	1	22252-000720	CIRCLIP 72		2						
15	1	22252-001000	CIRCLIP 100(H)		2						
16	1	22351-080020	SPRING PIN 8X20		4						
17	1	22351-080020	SPRING PIN 8X20		4						
18	1	24311-000160	O-RING 1A P-16.0		2						
19	1	24321-000700	O-RING 1A G70		2						
20	1	26116-100162	BOLT M10X 16 PLATED		2						
21	1	26116-100302	BOLT M10X 30 PLATED		4						
22	1	26116-100452	BOLT M10X 45 PLATED		4						
23	1	26116-120352	BOLT M12X 35 PLATED		12						
23-1	1	194171-13710	BOLT M12X35		12						N
		(B=T/# 40464)									
24	1	194311-13430	SEAL KC30 42 7, OIL		2						
25	1	194313-13600-X	HOUSING ASSY, AXLE		1						
26	2	194312-11520	BUSH 30X34X25		2						
28	1	194313-13620-X	HOUSING, FRONT AXLE		1						
29	1	194313-13630	PLUG 20		1						
30	1	194313-13640	O-RING 159.3-S		1						
31	1	194151-24770	PLUG 14, OIL		1						
31-1	1	23491-140002	PLUG 14		1						N
		(B=T/# 41534)									
32	1	194151-36670	PLUG PT02		1						Z
		(B=T/# 40503)									
33	1	22217-100000	SPRING WASHER 10		16						
34	1	22217-100000	SPRING WASHER 10		10						
35	1	24311-000160	O-RING 1A P-16.0		1						
36	1	24311-000220	O-RING 1A P-22.0		1						
37	1	26116-100252	BOLT M10X 25 PLATED		10						
38	1	26116-100302	BOLT M10X 30 PLATED		16						

++ CONTINUE ++

Fig. 39 CASING OF FRONT AXLE [For Model YM276D]

(A)=YM276 (D)=  
 (B)=YM276D (E)=  
 (C)= (F)=



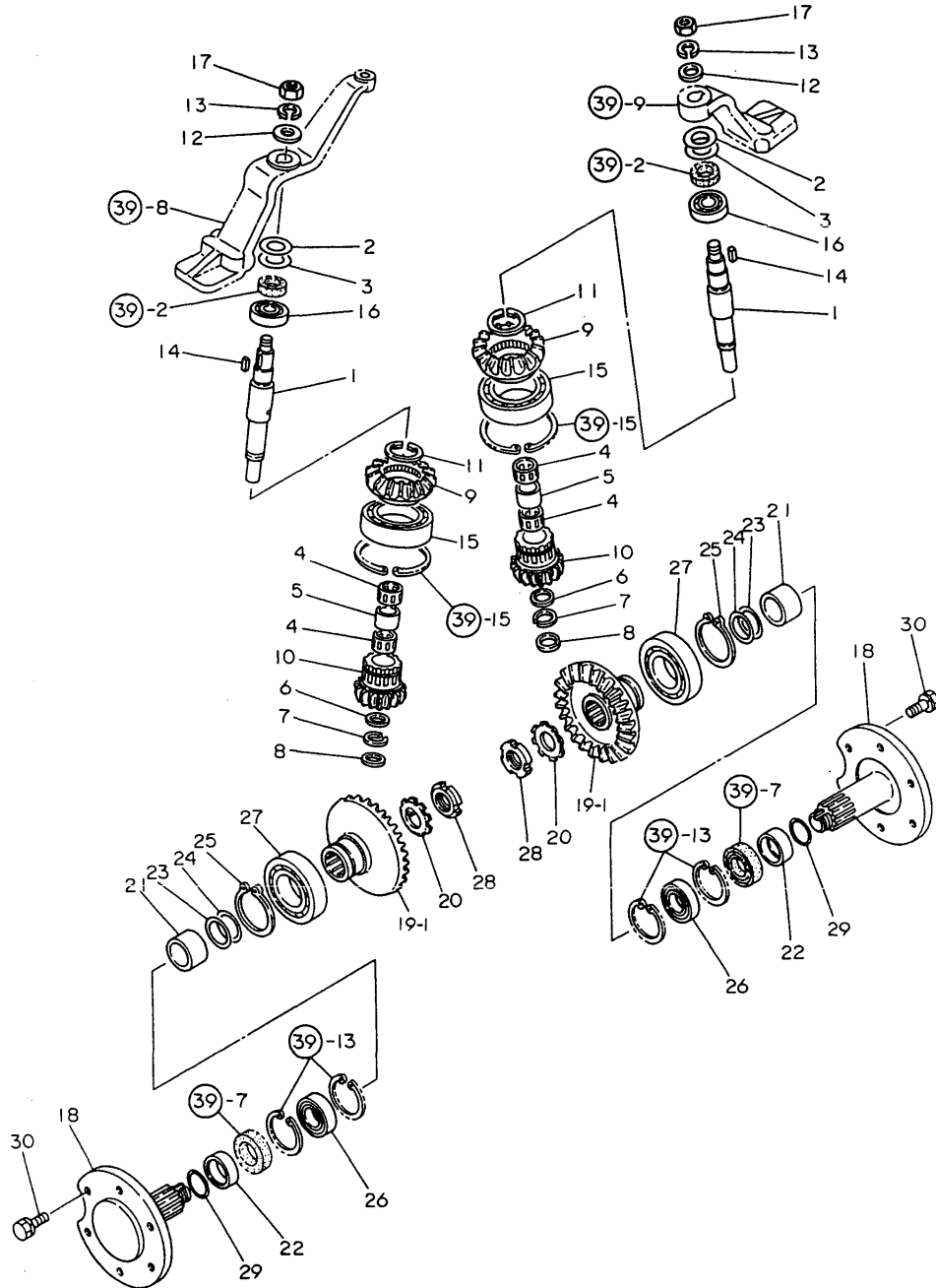
X-MARK PARTS : NOT SOLD SEPARATELY

REF.	LEV.	PARTS NO.	DESCRIPTION	QTY						I	R
				(A)	(B)	(C)	(D)	(E)	(F)		
39	1	22351-050020 (B=T/# 40464)	SPRING PIN 5X20		4						W
40	1	794171-14100-X (B=T/# 41681)	SPINDLE KIT, FRONT		1						W 1
41	2	*REF.40=30- 2	BOLT W/WASHER 14* 25		6						
42	2	*REF.39=12- 1	WASHER,LOCK 12		6						
43	2	*REF.39=23- 1	BOLT 12* 35		6						
44	2	*REF.39= 5- 2	CASE,BEARING,FRONT		1						
45	2	*REF.39= 6	GASKET,BARING CASE		1						
46	2	*REF.39= 7- 1	SEAL		1						
47	2	*REF.40=18- 1	SHAFT,FRONT AXLE		1						
48	2	*REF.40=19- 2	GEAR, FRONT FINAL		1						
49	2	*REF.40=21- 1	COLLAR 60.5*26.5		1						
50	2	*REF.40=22- 1	COLLAR,SEAL		1						
51	2	*REF.40=23- 1	SHIM		2						
52	2	*REF.40=24- 1	SHIM		2						
53	2	*REF.40=28- 1	NUT 30 SET		1						
54	2	*REF.39=11	WASHER 10		4						
55	2	*REF.40=25	RING 55		1						
56	2	*REF.39=13- 1	RING 90		2						
57	2	*REF.39=16	PIN,ROLL 8* 20		4						
58	2	*REF.40=26- 1	BEARING 6210		1						
59	2	*REF.40=27	BEARING 6211		1						
60	2	*REF.40=29- 1	O-RING 1A G 50.0		1						
61	2	*REF.39=21	BOLT 10* 30		2						
62	2	*REF.39=22	BOLT 10* 45		2						

Fig. 40 2nd SHAFT & SPINDLE OF FRONT AXLE [For Model YM276D]

Y00T2321 40. SPINDLE OF FRONT AXLE (YM276D)

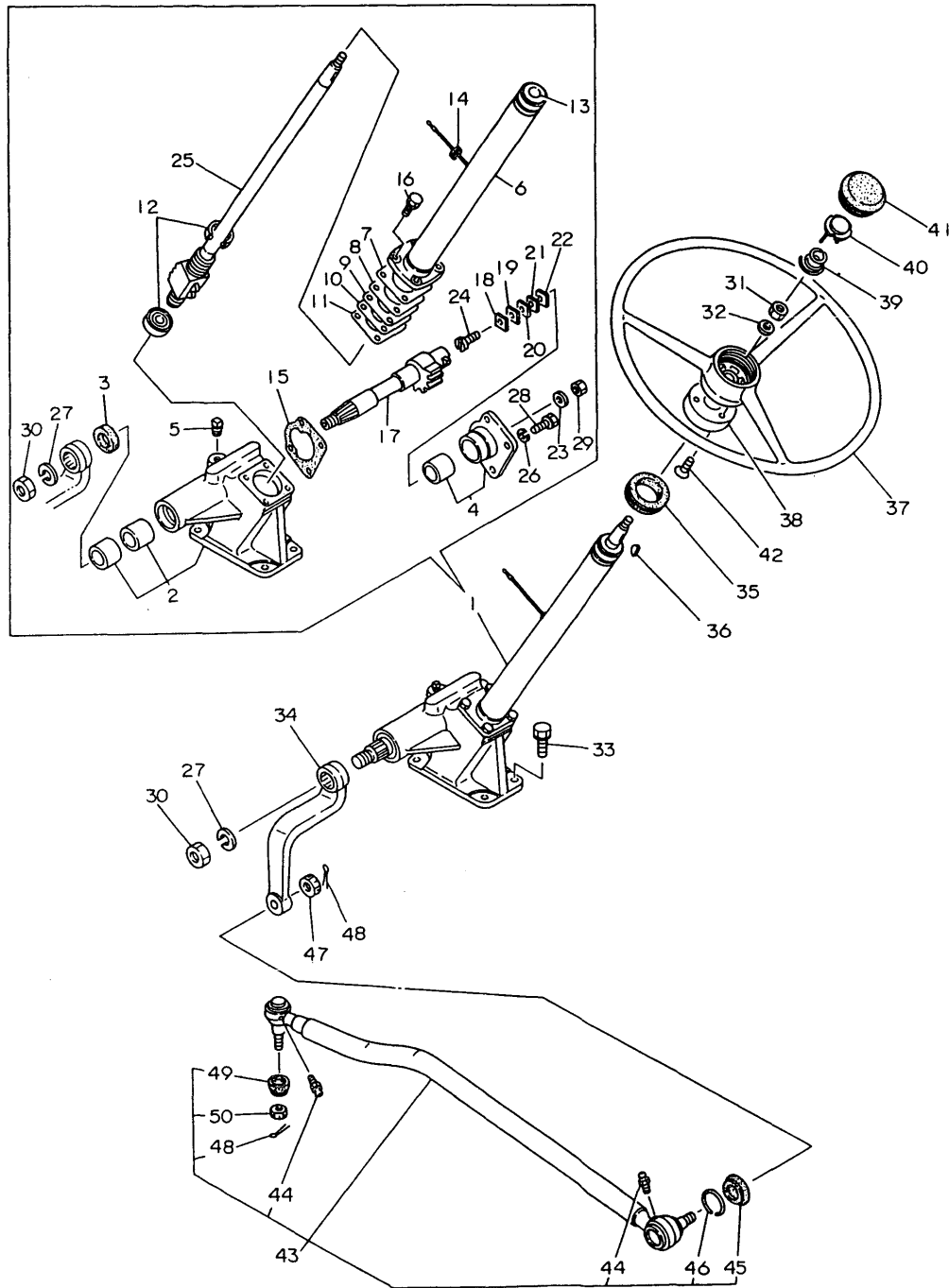
(A)=YM276 (D)=  
 (B)=YM276D (E)=  
 (C)= (F)=



REF.	LEV.	PARTS NO.	DESCRIPTION	QTY						I	R
				(A)	(B)	(C)	(D)	(E)	(F)		
1	1	194311-13850	SHAFT (2ND), FRONT		2						
2	1	194311-13860	SHIM(A) T=1.0		2						2
3	1	194311-13870	SHIM(B) T=1.2		2						2
4	1	194311-13880	NEEDLE BEARING		4						
5	1	194311-13890	COLLAR 28X33.5X22.5		2						
6	1	194311-13910	WASHER 28X33.5X2		2						
7	1	194311-13920	CIRCLIP WR28		2						
8	1	194311-13930	SPACER 25X35X5		2						
9	1	194311-13940	GEAR, FRONT DRIVE		2						
10	1	194311-13950	PINION, FINAL		2						
11	1	194311-13960	CIRCLIP 50-S		2						
12	1	22137-160000	WASHER 16,POLISHED		2						
13	1	22217-160000	SPRING WASHER 16		2						
14	1	22512-070220	KEY 7X22,FEATHER		2						
15	1	24101-060134	BALL BEARING		2						
16	1	24101-062054	BEARING #6205		2						
17	1	26716-160002	NUT M16		2						
18	1	194241-14101-X	SPINDLE ASSY, FRONT		2						
18-1	1	194171-14110-X (B=T/# 41681)	SPINDLE, FRONT		2						S 1
19-1	1	194311-14121	GEAR, FRONT FINAL		2						
19-2	1	194311-14122 (B=T/# 41681)	GEAR, FRONT FINAL		2						N
20	1	194311-14130 (B=T/# 41681)	WASHER 35		2						Z
21	1	194311-14161	COLLAR 48.6X41.6		2						
21-1	1	194171-14160 (B=T/# 41681)	COLLAR 60.5X26.5		2						S 1
22	1	194311-14172	SEAL COLLAR 40X50X21		2						
22-1	1	194171-14170 (B=T/# 41681)	COLLAR 50X68X17.5		2						S 1
23	1	194311-14180	SHIM(A) L=0.2		4						2
23-1	1	194171-14180 (B=T/# 41681)	SHIM (A), FRONT		4						S 1
24	1	194311-14190	SHIM(B) L=0.3		4						2
24-1	1	194171-14190 (B=T/# 41681)	SHIM (B), FRONT FINA		4						S 1
25	1	22242-000550	CIRCLIP 55		2						
26	1	24101-060084	BALL BEARING		2						
26-1	1	24101-062104 (B=T/# 41681)	BALL BEARING		2						S 1
27	1	24101-062114	BALL BEARING		2						
28	1	24211-035002	LOCK NUT M35		2						
28-1	1	194491-14190 (B=T/# 41681)	NUT M30 SET		2						S 1
29	1	24321-000400	O-RING 1A G-40.0		2						
29-1	1	24321-000500 (B=T/# 41681)	O-RING 1A G-50.0		2						S 1
30	1	26013-140252	BOLT M14X 25		12						
30-1	1	194180-12650 (B=*1982.10)	BOLT M14X 25		12						N
30-2	1	194278-12650 (B=T/# 41517)	BOLT W/WASHER M14X25		12						N



Fig. 41 STEERING (STANDARD)



Y00T2321 41. STEERING(STANDARD)

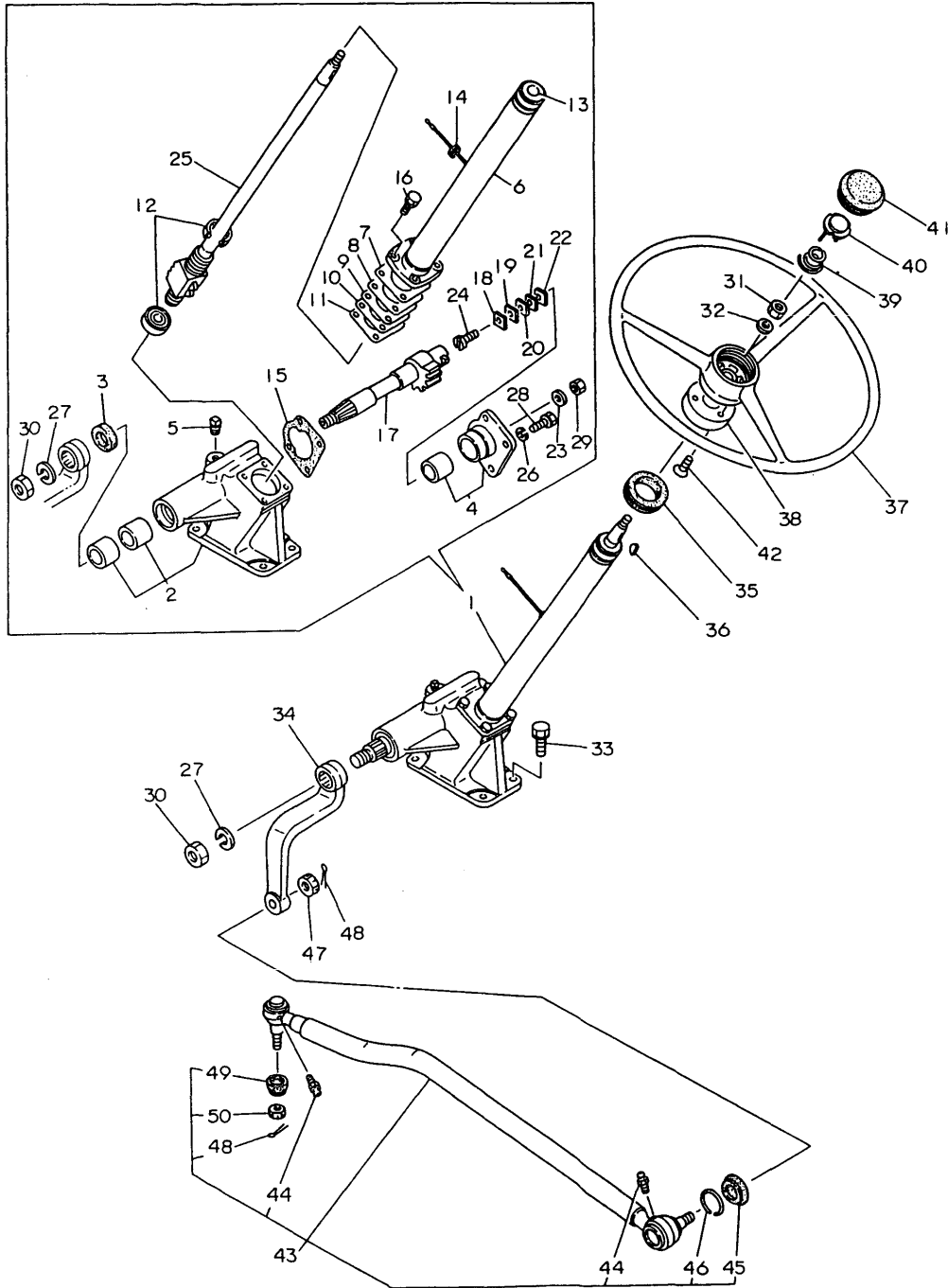
(A)=YM276 (D)=  
 (B)=YM276D (E)=  
 (C)= (F)=

REF.	LEV.	PARTS NO.	DESCRIPTION	QTY						I	R
				(A)	(B)	(C)	(D)	(E)	(F)		
1	1	194145-15100-X	GEAR ASSY, STEERING	1	1						
2	2	194145-15110-X	BOX W/BUSH, GEAR	1	1						
3	2	194080-15140	SEAL D28.6 40 8, OIL	1	1						
4	2	194145-15150	COVER, SIDE	1	1						
5	2	194130-15170	PLUG PT1/4	1	1						
6	2	194145-15200-X	COLUMN, STEERING	1	1						
7	2	194080-15250	SHIM T=0.05	1	1						1
8	2	194080-15260	SHIM T=0.07	1	1						1
9	2	194080-15270	SHIM T=0.08	1	1						1
10	2	194080-15280	SHIM T=0.1	1	1						1
11	2	194080-15290	SHIM T=0.2	1	1						1
12	2	194145-15310	BALL BEARING	2	2						
13	2	194750-15310	BUSH, COLUMN	1	1						
14	2	194080-15320	GROMMET	1	1						
15	2	194145-15320	GASKET, SIDE COVER	1	1						
16	2	194145-15330	BOLT	4	4						
16-1	2	26013-080202	BOLT W/WASHER M8X20	4	4						N
		(A=*1982.10) (B=*1982.10)									
17	2	194145-15410	SHAFT, SECTOR	1	1						
17-1	2	194274-15410	SHAFT, SECTOR	1	1						N
		(A=T/# 20627) (B=T/# 41578)									
18	2	194080-15420	SHIM (A) (T=1.525)	1	1						2
19	2	194080-15430	SHIM (B) (T=1.555)	1	1						2
20	2	194080-15440	SHIM (C) (T=1.585)	1	1						2
21	2	194080-15450	SHIM (D) (T=1.615)	1	1						2
22	2	194080-15460	SHIM (E) (T=1.645)	1	1						2
23	2	194464-15450	SEAL WASHER	1	1						
24	2	194080-15470	SCREW M10X34	1	1						
25	2	194145-15500	NUT ASSY, BALL	1	1						
26	2	22217-080000	SPRING WASHER 8	4	4						
27	2	22217-220000	SPRING WASHER 22	1	1						
28	2	26116-080222	BOLT M 8X 22 PLATED	4	4						
28-1	2	26116-080202	BOLT M 8X 20 PLATED	4	4						N
		(A=*1982.12) (B=*1982.12)									
29	2	26736-100002	NUT M10	1	1						
30	2	26736-220002	NUT M22	1	1						
30-1	2	26776-220002	LOCK NUT M22 PLATED	1	1						N
		(A=T/# 20590) (B=T/# 41456)									
31	1	194130-15530	LOCK NUT 12	1	1						
32	1	194080-15550	WASHER 12	1	1						
33	1	194145-15560	BOLT M12X 33	4	4						
34	1	194170-15610-X	ARM, PITMAN	1	1						
35	1	194145-15651	GROMMET 42	1	1						
36	1	22522-050190	WOODRUFF KEY 5X19	1	1						
36-1	1	144626-51090	KEY 5X19	1	1						N
		(A=T/# 20472) (B=T/# 40961)									
37	1	194130-15710	WHEEL, STEERING	1	1						
38	1	194130-15720	COVER (400), COLUMN	1	1						
39	1	194130-15740	SPRING	1	1						
40	1	194130-15750	SWITCH, HORN	1	1						
41	1	194130-15770	BUTTON, HORN	1	1						
42	1	26577-040102	SCREW M 4X 10	3	3						
43	1	194171-16100-X	ROD ASSY,DRAG	1	1						
43-1	1	194171-16101-X	ROD ASSY, DRAG	1	1						N

++ CONTINUE ++

Fig. 41 STEERING (STANDARD)

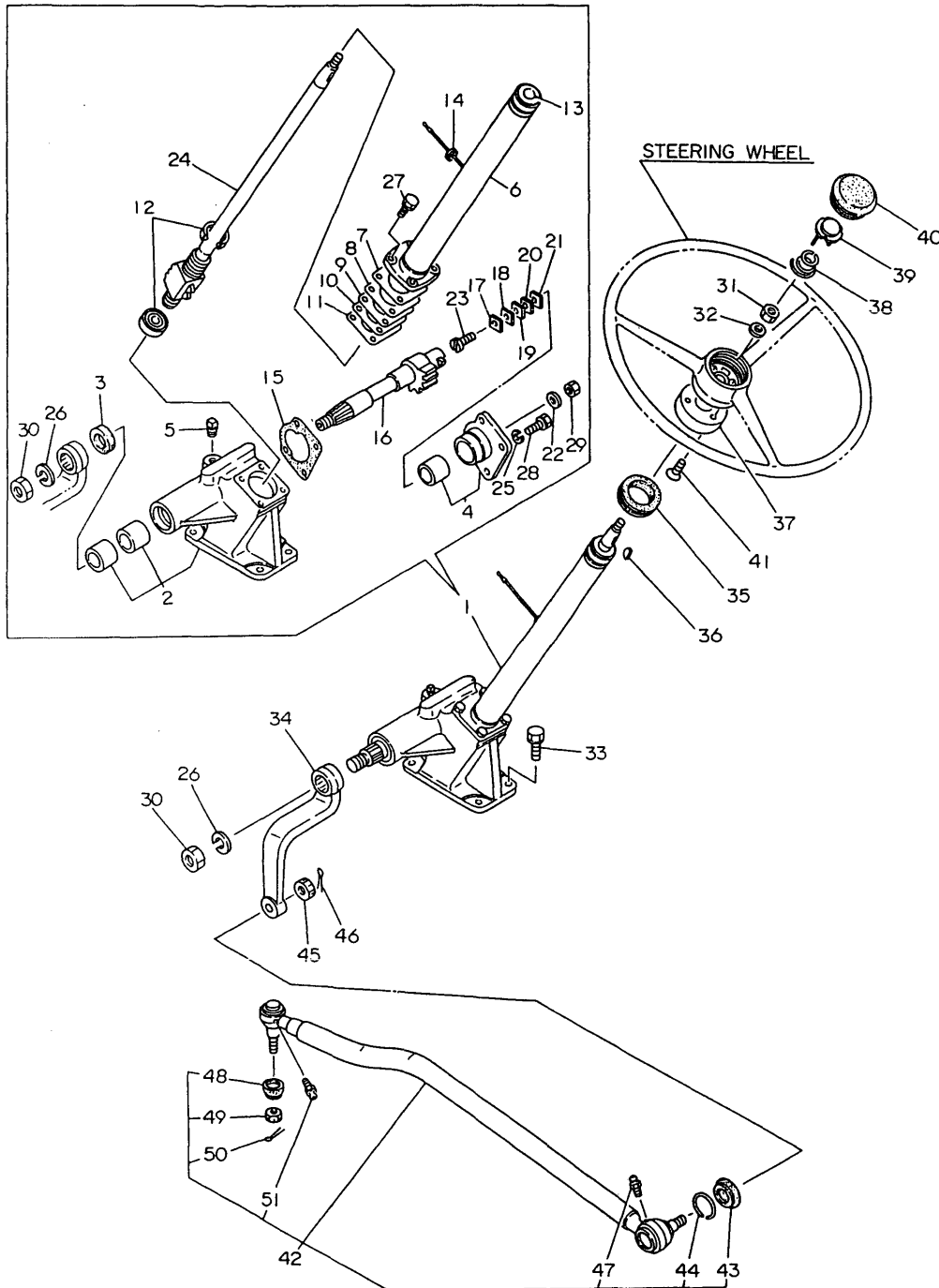
(A)=YM276 (D)=  
 (B)=YM276D (E)=  
 (C)= (F)=



REF.	LEV.	PARTS NO.	DESCRIPTION	QTY						I	R
				(A)	(B)	(C)	(D)	(E)	(F)		
			(B=*1981.01)								
43-2	1	194171-16102	ROD ASSY, DRAG	1	1						N
		(A=T/# 20586)	(B=T/# 41391)								
44	2	194150-11480	GREASE NIPPLE MT6X1	2	2						
44-1	2	24761-060000	NIPPLE MT6X1, GREASE	2	2						N
		(A=*1982.05)	(B=*1982.05)								
45	2	194450-12551	COVER, DUST	1	1						
46	2	194450-12560	RING, SET	1	1						
47	2	194450-16170	CASTLE NUT M16	1	1						
48	2	22417-300250	COTTER PIN 3.0X 25	2	2						
48-1	2	22417-300250	COTTER PIN 3.0X 25	1	1						K
		(A=T/# 20586)	(B=T/# 41391)								
48A	2	22417-300300	COTTER PIN 3.0X30	1	1						W
		(A=T/# 20586)	(B=T/# 41391)								
49	2	194730-57220	COVER, DUST	1	1						
50	2	194730-57241	NUT M12	1	1						

Fig. 42 STEERING (SCANDINAVIA)

(A)=YM276 (D)=  
 (B)=YM276D (E)=  
 (C)= (F)=

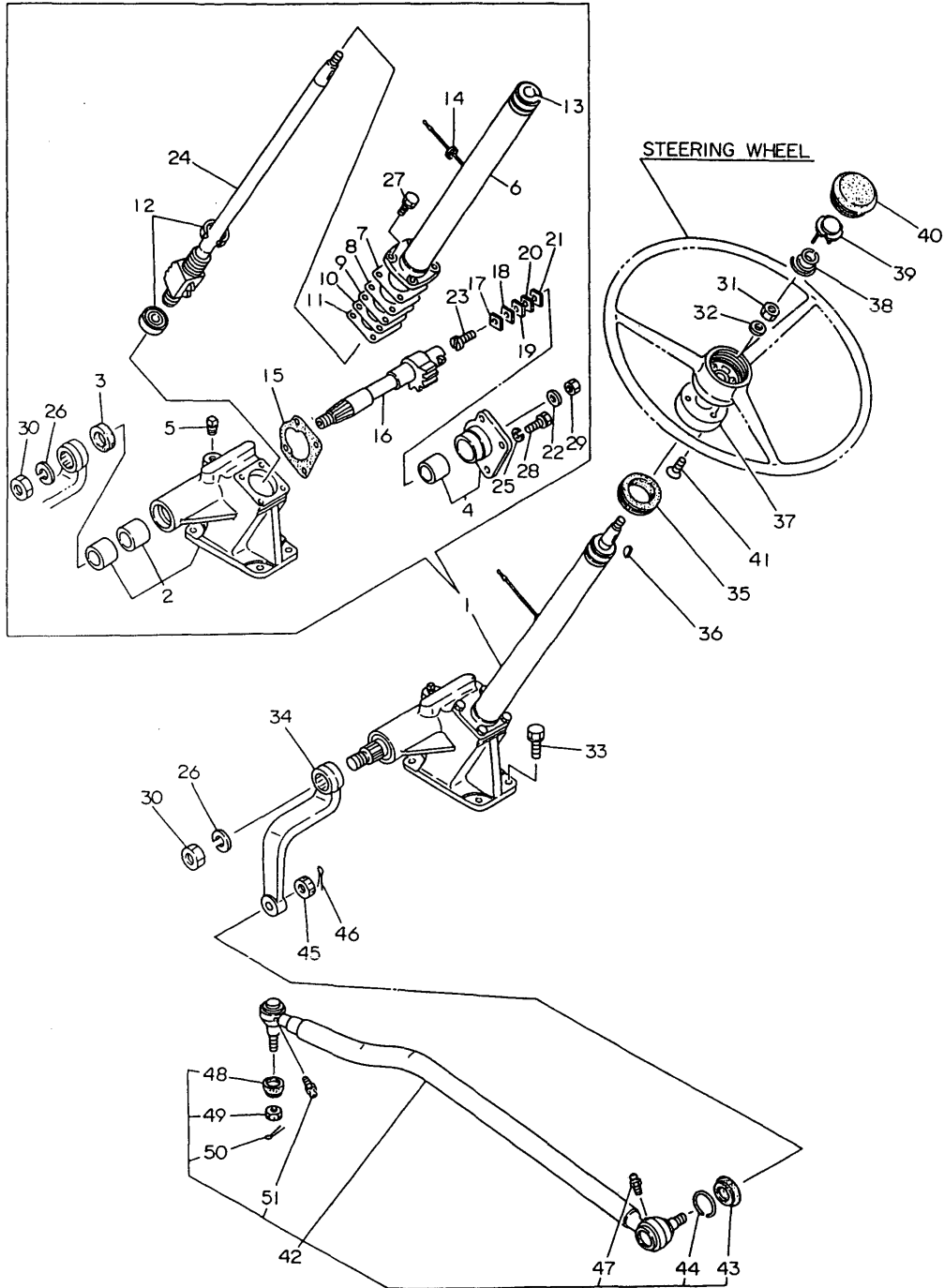


REF.	LEV.	PARTS NO.	DESCRIPTION	QTY						I	R
				(A)	(B)	(C)	(D)	(E)	(F)		
1	1	194145-15100	GEAR ASSY, STEERING	1	1						
2	2	194145-15110	BOX, GEAR	1	1						
3	2	194080-15140	SEAL D28.6 40 8, OIL	1	1						
4	2	194145-15150	COVER, SIDE	1	1						
5	2	194130-15170	PLUG PT1/4	1	1						
6	2	194145-15200	COLUMN	1	1						
7	2	194080-15250	SHIM T=0.05	1	1						1
8	2	194080-15260	SHIM T=0.07	1	1						1
9	2	194080-15270	SHIM T=0.08	1	1						1
10	2	194080-15280	SHIM T=0.1	1	1						1
11	2	194080-15290	SHIM T=0.2	1	1						1
12	2	194145-15310	BALL BEARING	2	2						
13	2	194750-15310	BUSH, COLUMN	1	1						
14	2	194080-15320	GROMMET	1	1						
15	2	194145-15320	GASKET, SIDE COVER	1	1						
16	2	194145-15410	SHAFT, SECTOR	1	1						
16-1	2	194274-15410	SHAFT, SECTOR	1	1						N
(A=T/# 20627) (B=T/# 41578)											
17	2	194080-15420	SHIM (A) (T=1.525)	1	1						2
18	2	194080-15430	SHIM (B) (T=1.555)	1	1						2
19	2	194080-15440	SHIM (C) (T=1.585)	1	1						2
20	2	194080-15450	SHIM (D) (T=1.615)	1	1						2
21	2	194080-15460	SHIM (E) (T=1.645)	1	1						2
22	2	194464-15450	SEAL WASHER	1	1						
23	2	194080-15470	SCREW M10X34	1	1						
24	2	194145-15500	NUT ASSY, BALL	1	1						
25	2	22217-080000	SPRING WASHER 8	4	4						
26	2	22217-220000	SPRING WASHER 22	1	1						
27	2	26013-080202	BOLT W/WASHER M8X20	4	4						
28	2	26116-080202	BOLT M 8X 20 PLATED	4	4						
29	2	26736-100002	NUT M10	1	1						
30	2	26736-220002	NUT M22	1	1						
30-1	2	26776-220002	LOCK NUT M22 PLATED	1	1						N
(A=T/# 20590) (B=T/# 41456)											
31	1	194130-15530	LOCK NUT 12	1	1						
32	1	194080-15550	WASHER 12	1	1						
33	1	194145-15560	BOLT M12X 33	4	4						
34	1	194170-15610-X	ARM, PITMAN	1	1						
35	1	194145-15651	GROMMET 42	1	1						
36	1	144626-51090	KEY 5X19	1	1						
37	1	194130-15720	COVER (400), COLUMN	1	1						
38	1	194130-15740	SPRING	1	1						
39	1	194130-15750	SWITCH, HORN	1	1						
40	1	194130-15770	BUTTON, HORN	1	1						
41	1	26577-040102	SCREW M 4X 10	3	3						
42	1	194171-16101-X	ROD ASSY, DRAG	1	1						
42-1	1	194171-16102	ROD ASSY, DRAG	1	1						N
(A=T/# 20586) (B=T/# 41391)											
43	2	194450-12551	COVER, DUST	1	1						
44	2	194450-12560	RING, SET	1	1						
45	2	194450-16170	CASTLE NUT M16	1	1						
46	2	22417-300250	COTTER PIN 3.0X 25	1	1						
46-1	2	22417-300300	COTTER PIN 3.0X30	1	1						N
(A=T/# 20586) (B=T/# 41391)											

++ CONTINUE ++

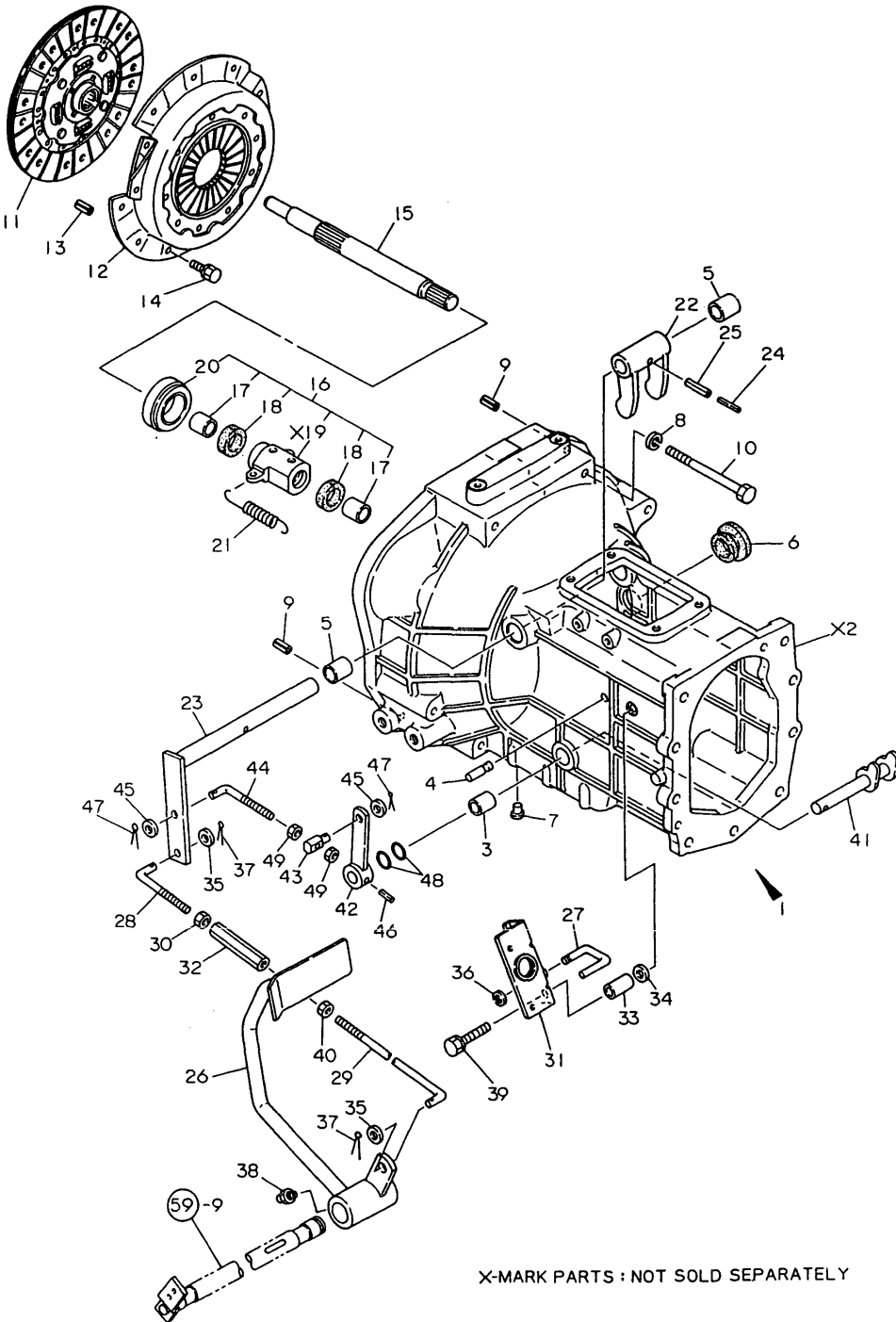
Fig. 42 STEERING (SCANDINAVIA)

(A)=YM276 (D)=  
 (B)=YM276D (E)=  
 (C)= (F)=



REF.	LEV.	PARTS NO.	DESCRIPTION	QTY							
				(A)	(B)	(C)	(D)	(E)	(F)		
47	2	24761-060000	NIPPLE MT6X1, GREASE	1	1						
48	2	194730-57220	COVER, DUST	1	1						
49	2	194730-57241	NUT M12	1	1						
50	2	22417-300250	COTTER PIN 3.0X 25	1	1						
51	2	24761-060000	NIPPLE MT6X1, GREASE	1	1						

Fig. 43 CLUTCH HOUSING (STANDARD)



X-MARK PARTS : NOT SOLD SEPARATELY

Y00T2321 43. CLUTCH HOUSING(STANDARD)

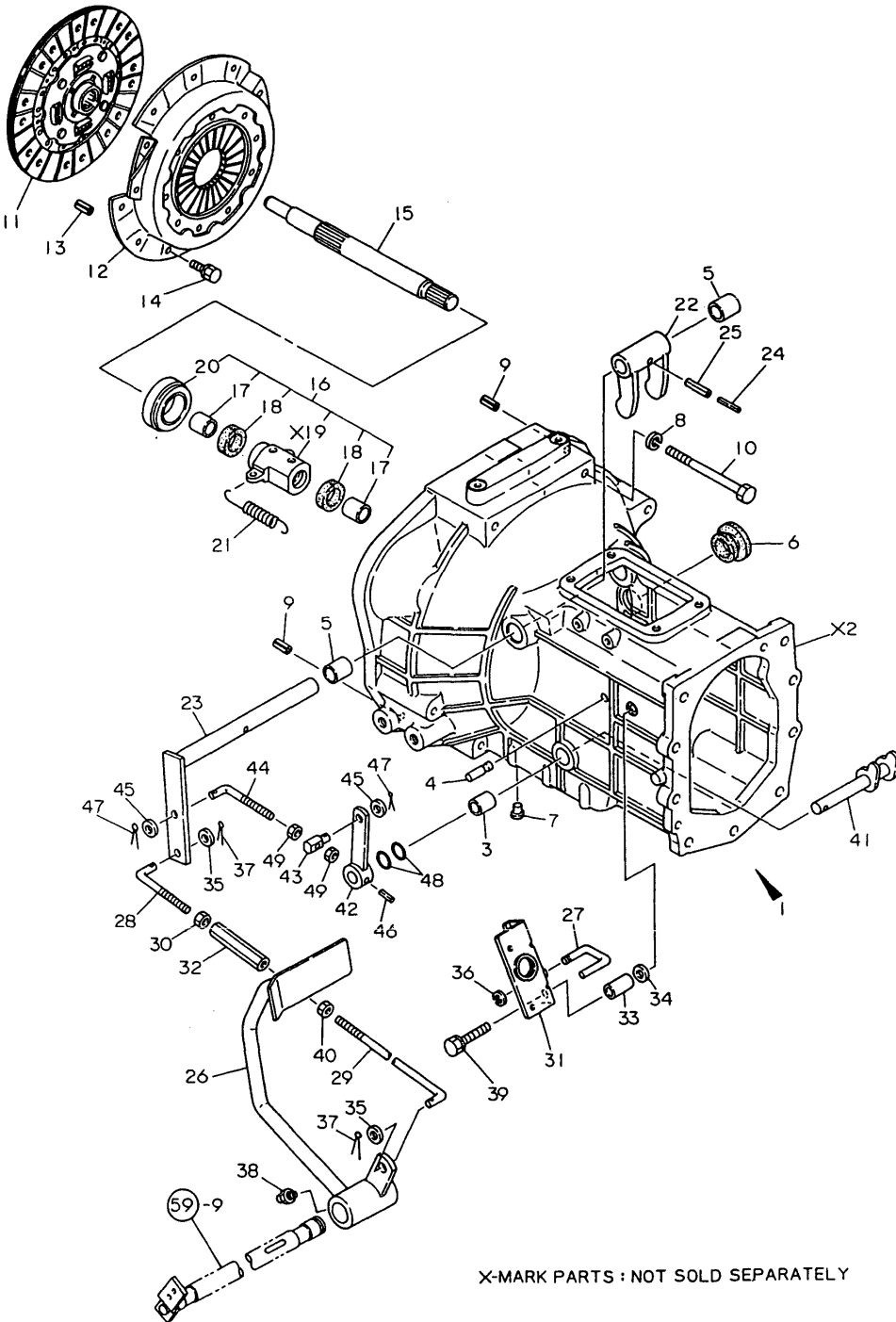
(A)=YM276 (D)=  
(B)=YM276D (E)=  
(C)= (F)=

REF.	LEV.	PARTS NO.	DESCRIPTION	QTY						I	R
				(A)	(B)	(C)	(D)	(E)	(F)		
1	1	194170-21100-X	HOUSING ASSY, CLUTCH	1	1						
1-1	1	194170-21101 (A=T/# 20596) (B=T/# 41517)	HOUSING ASSY, CLUTCH	1	1						N
3	2	194310-21210	BUSH 15X20X25	1	1						
4	2	194150-22250	PIN, HOOK	2	2						
5	2	194130-22280	BUSH 20X25X25	2	2						
6	1	194450-21150	CAP, HOUSING	1	1						
6-1	1	194450-21151 (A=T/# 20539) (B=T/# 41193)	CAP, HOUSING	1	1						N
7	1	194150-21910	PLUG 11.2	8	8						
8	1	22217-100000	SPRING WASHER 10	7	7						
9	1	22351-080018	SPRING PIN 8X18	2	2						
10	1	26116-101102	BOLT M10X110 PLATED	7	7						
11	1	194361-21400	DISC, CLUTCH	1	1						
11-1	1	194115-21400 (A=T/# 20648) (B=T/# 41690)	DISC, CLUTCH	1	1						N
12	1	794150-21700	PLATE, PRESSURE	1	1						
13	1	22351-080018	SPRING PIN 8X18	3	3						
14	1	26013-080162	BOLT W/WASHER M8X16	6	6						
15	1	194312-22110	SHAFT, MAIN DRIVE	1	1						
16	1	794150-22150	SLEEVE ASSY, BEARING	1	1						
17	2	194150-22160	BUSH 22X28X22	2	2						
18	2	194130-22170	FELT	2	2						
20	2	194990-42710	BEARING, CLUTCH	1	1						
21	1	194420-22240	SPRING, RETURN	2	2						
22	1	194150-22310	YOKE, CLUTCH SHIFT	1	1						
23	1	194420-22330-X	SHAFT, CLUTCH RELEASE	1	1						
24	1	22351-035032	SPRING PIN 3.5X32	1	1						
25	1	22351-060032	SPRING PIN 6X32	1	1						
26	1	194312-22410-X	PEDAL, CLUTCH	1	1						
27	1	194312-22441	LEVER, CLUTCH LOCK	1	1						
28	1	194150-22460	ROD, CLUTCH	1	1						
29	1	194312-22470	ROD, CLUTCH	1	1						
30	1	194150-22480	NUT M10	1	1						
31	1	194312-22491-X	STOPPER, CLUTCH PEDAL	1	1						
32	1	194130-37730	TURNBUCKLE M10X70	1	1						
33	1	194420-63190	COLLAR	1	1						
34	1	22137-080000 (A=FXXXXX) (B=FXXXXX)	WASHER 8, POLISHED	1	1						Z
35	1	22137-100000	WASHER 10, POLISHED	2	2						
36	1	22272-000040	CIRCLIP E- 4	1	1						
37	1	22417-200300	COTTER PIN 2.0X30	2	2						
38	1	24761-010000	NIPPLE M6F, GREASE	1	1						
39	1	26013-080452	BOLT M 8X 45	2	2						
39-1	1	26106-080452 (A=T/# 20648) (B=T/# 41690)	BOLT M 8X 45 PLATED	2	2						N
40	1	26716-100002	NUT M10	1	1						
41	1	194312-22510	FORK, RELEASE	1	1						
42	1	194312-22520-X	ARM, RELEASE	1	1						
43	1	194320-22530	ADJUSTER	1	1						
44	1	194312-22540	ROD, RELEASE	1	1						
45	1	22137-080000	WASHER 8, POLISHED	2	2						
46	1	22351-060025	SPRING PIN 6X25	1	1						
47	1	22417-200300	COTTER PIN 2.0X30	2	2						

++ CONTINUE ++

Fig. 43 CLUTCH HOUSING (STANDARD)

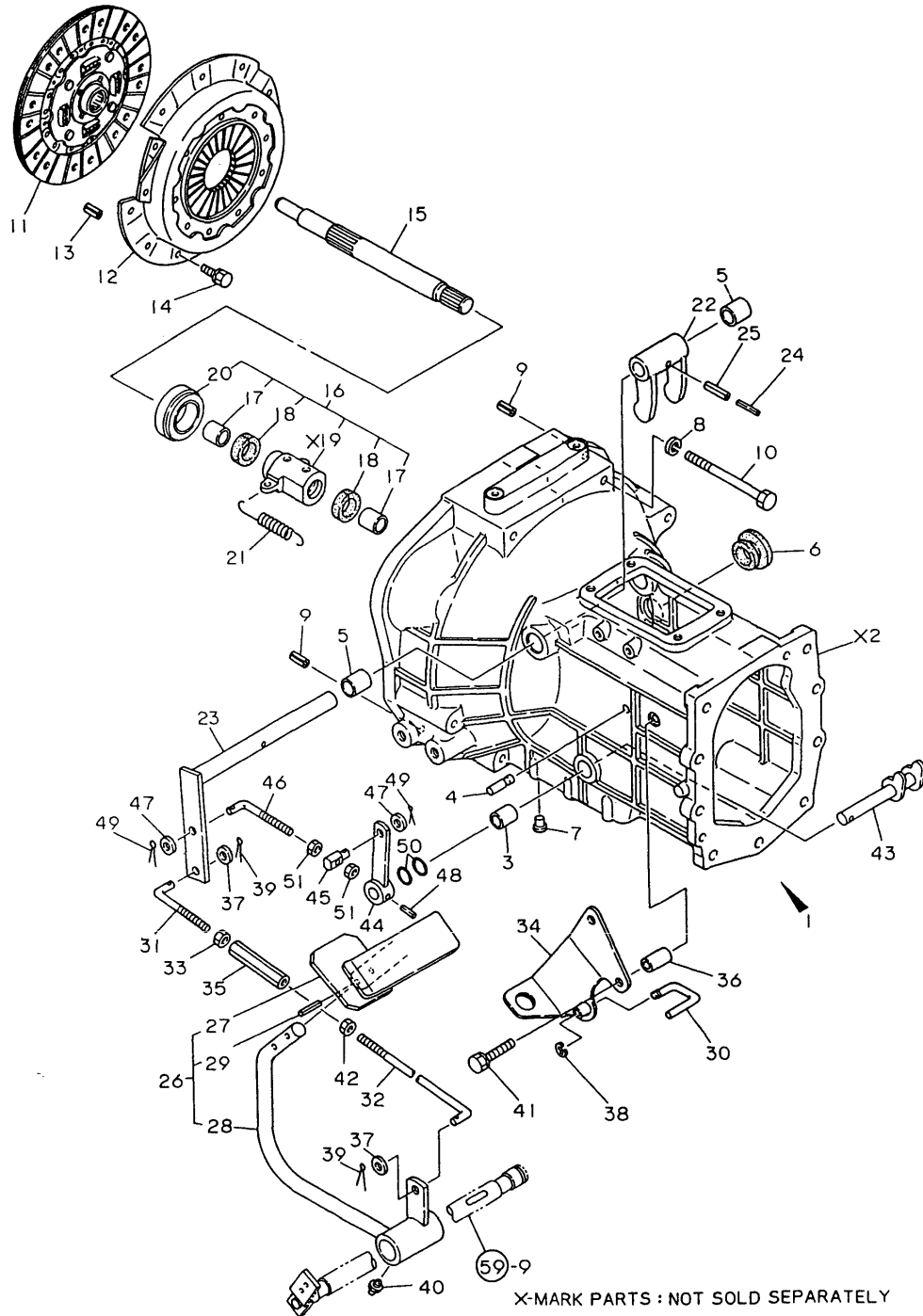
(A)=YM276 (D)=  
 (B)=YM276D (E)=  
 (C)= (F)=



X-MARK PARTS : NOT SOLD SEPARATELY

REF.	LEV.	PARTS NO.	DESCRIPTION	QTY						I	R	
				(A)	(B)	(C)	(D)	(E)	(F)			
48	1	24311-000150	O-RING 1A P-15.0	2	2							
49	1	26716-080002	NUT M 8	2	2							

Fig. 44 CLUTCH HOUSING (SCANDINAVIA)



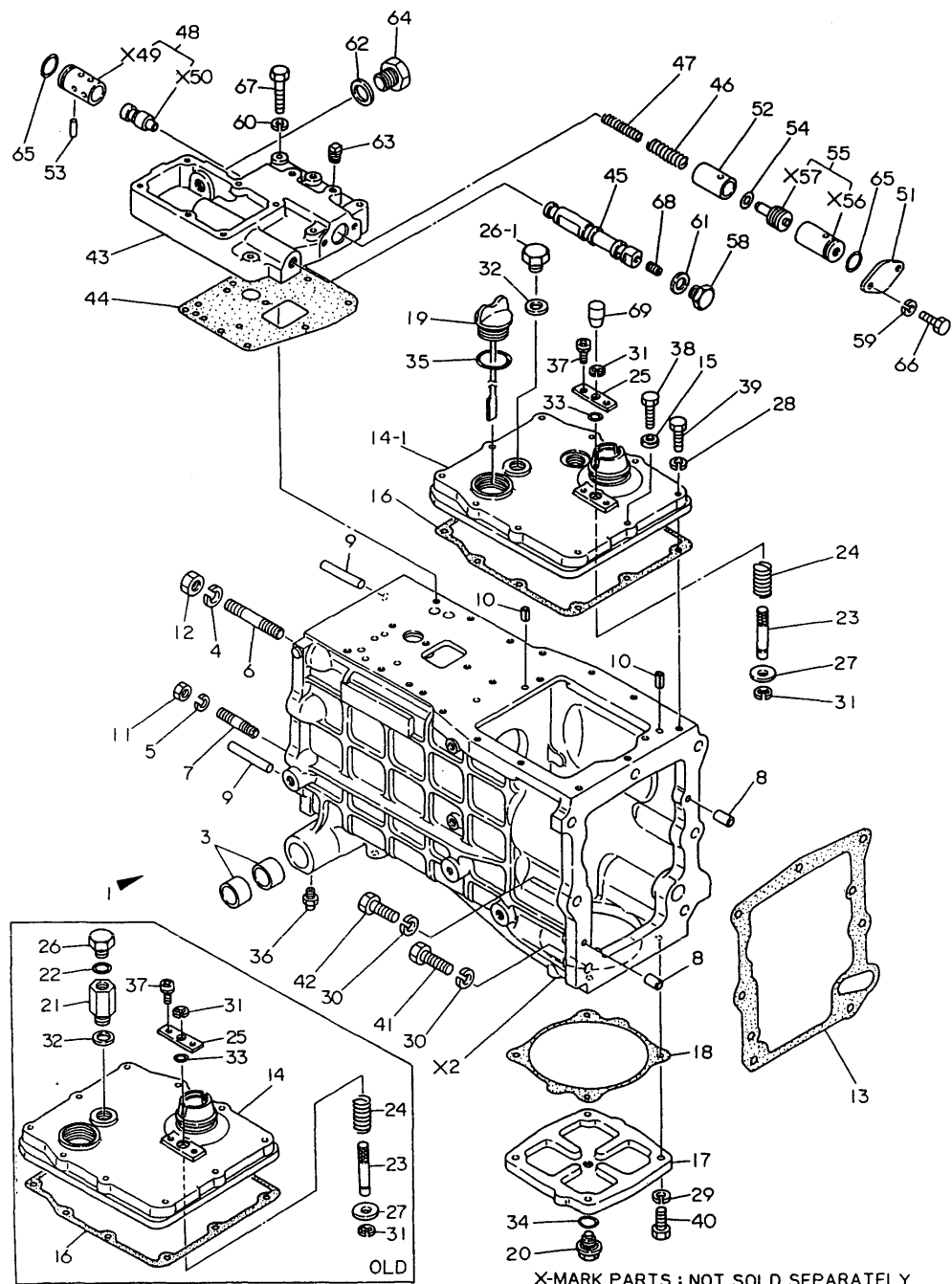
X-MARK PARTS : NOT SOLD SEPARATELY

Y00T2321 44. CLUTCH HOUSING(SCANDINAVIA)

(A)=YM276 (D)=  
(B)=YM276D (E)=  
(C)= (F)=

REF.	LEV.	PARTS NO.	DESCRIPTION	QTY						I	R
				(A)	(B)	(C)	(D)	(E)	(F)		
1	1	194170-21100-X	HOUSING ASSY, CLUTCH	1	1						
3	2	194310-21210	BUSH 15X20X25	1	1						
4	2	194150-22250	PIN, HOOK	2	2						
5	2	194310-22280	BUSH 20X25X25	2	2						
6	1	194450-21151	CAP, HOUSING	1	1						
7	1	194150-21910	PLUG 11.2	8	8						
8	1	22217-100000	SPRING WASHER 10	7	7						
9	1	22351-080018	SPRING PIN 8X18	2	2						
10	1	26116-101102	BOLT M10X110 PLATED	7	7						
11	1	194361-21400	DISC, CLUTCH	1	1						
12	1	794150-21700	PLATE, PRESSURE	1	1						
13	1	22351-080018	SPRING PIN 8X18	3	3						
14	1	26013-080162	BOLT W/WASHER M8X16	6	6						
15	1	194312-22110	SHAFT, MAIN DRIVE	1	1						
16	1	794150-22150	SLEEVE ASSY, BEARING	1	1						
17	2	194150-22160	BUSH 22X28X22	2	2						
18	2	194130-22170	FELT	2	2						
20	2	194990-42710	BEARING, CLUTCH	1	1						
21	1	194420-22240	SPRING, RETURN	2	2						
22	1	194150-22310	YOKE, CLUTCH SHIFT	1	1						
23	1	194420-22330-X	SHAFT, CLUTCH RELEASE	1	1						
24	1	22351-035032	SPRING PIN 3.5X32	1	1						
25	1	22351-060032	SPRING PIN 6X32	1	1						
26	1	194172-22410-X	PEDAL ASSY, CLUTCH	1	1						
27	2	194172-22420	HEAD, CLUTCH PEDAL	1	1						
28	2	194172-22450	BODY ASSY, PEDAL	1	1						
29	2	22351-060028	SPRING PIN 6X28	1	1						
30	1	194312-22441	LEVER, CLUTCH LOCK	1	1						
31	1	194150-22460	ROD, CLUTCH	1	1						
32	1	194312-22470	ROD, CLUTCH	1	1						
33	1	194150-22480	NUT M10	1	1						
34	1	194172-22490	STOPPER, PEDAL	1	1						
35	1	194130-37730	TURNBUCKLE M10X70	1	1						
36	1	194420-63190	COLLAR	1	1						
37	1	22137-100000	WASHER 10, POLISHED	2	2						
38	1	22272-000040	CIRCLIP E- 4	1	1						
39	1	22417-200300	COTTER PIN 2.0X30	2	2						
40	1	24761-010000	NIPPLE M6F, GREASE	1	1						
41	1	26013-080452	BOLT M 8X 45	2	2						
42	1	26716-100002	NUT M10	1	1						
43	1	194312-22510	FORK, RELEASE	1	1						
44	1	194312-22520-X	ARM, RELEASE	1	1						
45	1	194320-22530	ADJUSTER	1	1						
46	1	194312-22540	ROD, RELEASE	1	1						
47	1	22137-080000	WASHER 8, POLISHED	2	2						
48	1	22351-060025	SPRING PIN 6X25	1	1						
49	1	22417-200300	COTTER PIN 2.0X30	2	2						
50	1	24311-000150	O-RING 1A P-15.0	2	2						
51	1	26716-080002	NUT M 8	2	2						

Fig. 45 TRANSMISSION HOUSING (STANDARD)



X-MARK PARTS : NOT SOLD SEPARATELY

Y00T2321 45. TRANSMISSION HOUSING(STANDARD)

(A)=YM276 (D)=  
(B)=YM276D (E)=  
(C)= (F)=

REF.	LEV.	PARTS NO.	DESCRIPTION	QTY						I	R
				(A)	(B)	(C)	(D)	(E)	(F)		
1	1	194170-24100-X	HOUSING,TRANSMISSION	1	1						
3	2	194740-06080	BUSH 25X30X18	4	4						
4	2	194465-14220	WASHER 14	2	2						
5	2	194274-13580	SPRING WASHER 12	7	7						
6	2	194170-24140	STUD M14X 85	2	2						
7	2	194312-24130	STUD M12X 75	7	7						
8	2	22312-100180	PARALLEL PIN 10X 18	2	2						
9	2	22312-100560	PARALLEL PIN 10X56	2	2						
10	2	22351-080020	SPRING PIN 8X20	2	2						
11	2	26716-120002	NUT M12	7	7						
12	2	26716-140002	NUT M14	2	2						
13	1	194312-24120	GASKET, HOUSING	1	1						
14	1	194312-24230	COVER	1	1						
14-1	1	194312-24231	COVER, RANGE SHIFT	1	1						F
		(A=*1981.09) (B=*1981.09)									
15	1	194310-24240	SEAL WASHER 8	1	1						
16	1	194312-24240	GASKET	1	1						
17	1	194310-24270-X	COVER, LOWER	1							
18	1	194312-24280	GASKET, BOTTOM COVER	1							
19	1	194150-24290	DIPSTICK 33X184	1	1						
20	1	194151-24770	PLUG 14, OIL	1							
20-1	1	23491-140002	PLUG 14	1							N
		(A=T/# 20618)									
21	1	194170-48950	ADAPTER	1	1						Z
		(A=T/# 20211) (B=T/# 40506)									
22	1	194464-45930	O-RING 8-1	1	1						Z
		(A=T/# 20211) (B=T/# 40506)									
23	1	194312-27420	LEVER, LOCK	1	1						
24	1	194312-27430	SPRING	1	1						
25	1	194312-27440	RETAINER	1	1						
26	1	194464-45920	PLUG 3/4-16UNF	1	1						
26-1	1	194312-46750	PLUG PF3/8	1	1						S
		(A=T/# 20211) (B=T/# 40506)									
27	1	1C6080-62670	WASHER,BELT CVR.MTG.	1	1						
28	1	22217-080000	SPRING WASHER 8	9	9						
29	1	22217-100000	SPRING WASHER 10	4							
30	1	22217-120000	WASHER 12,SPRING	7	7						
31	1	22272-000060	CIRCLIP E- 6	2	2						
32	1	23414-170022	GASKET 17	1	1						
32-1	1	194555-77910	GASKET	1	1						N
		(A=T/# 20553) (B=T/# 41276)									
33	1	24311-000080	O-RING 1A P-8.0	1	1						
34	1	24311-000160	O-RING 1A P-16.0	1	1						
35	1	24341-000320	O-RING 1A S-32.0	1	1						
35-1	1	24341-000315	O-RING 1A S-31.5	1	1						N
		(A=T/# 20430) (B=T/# 40849)									
35-2	1	24351-020300	O-RING 1A 2030	1	1						N
		(A=T/# 20625) (B=T/# 41567)									
36	1	24761-010000	NIPPLE M6F, GREASE	2	2						
37	1	26022-050082	SCREW M 5X 8	2	2						
38	1	26116-080302	BOLT M 8X 30 PLATED	1	1						
38-1	1	26116-080352	BOLT M 8X 35	1	1						S
		(A=*1982.08) (B=*1982.08)									
39	1	26116-080352	BOLT M 8X 35	9	9						

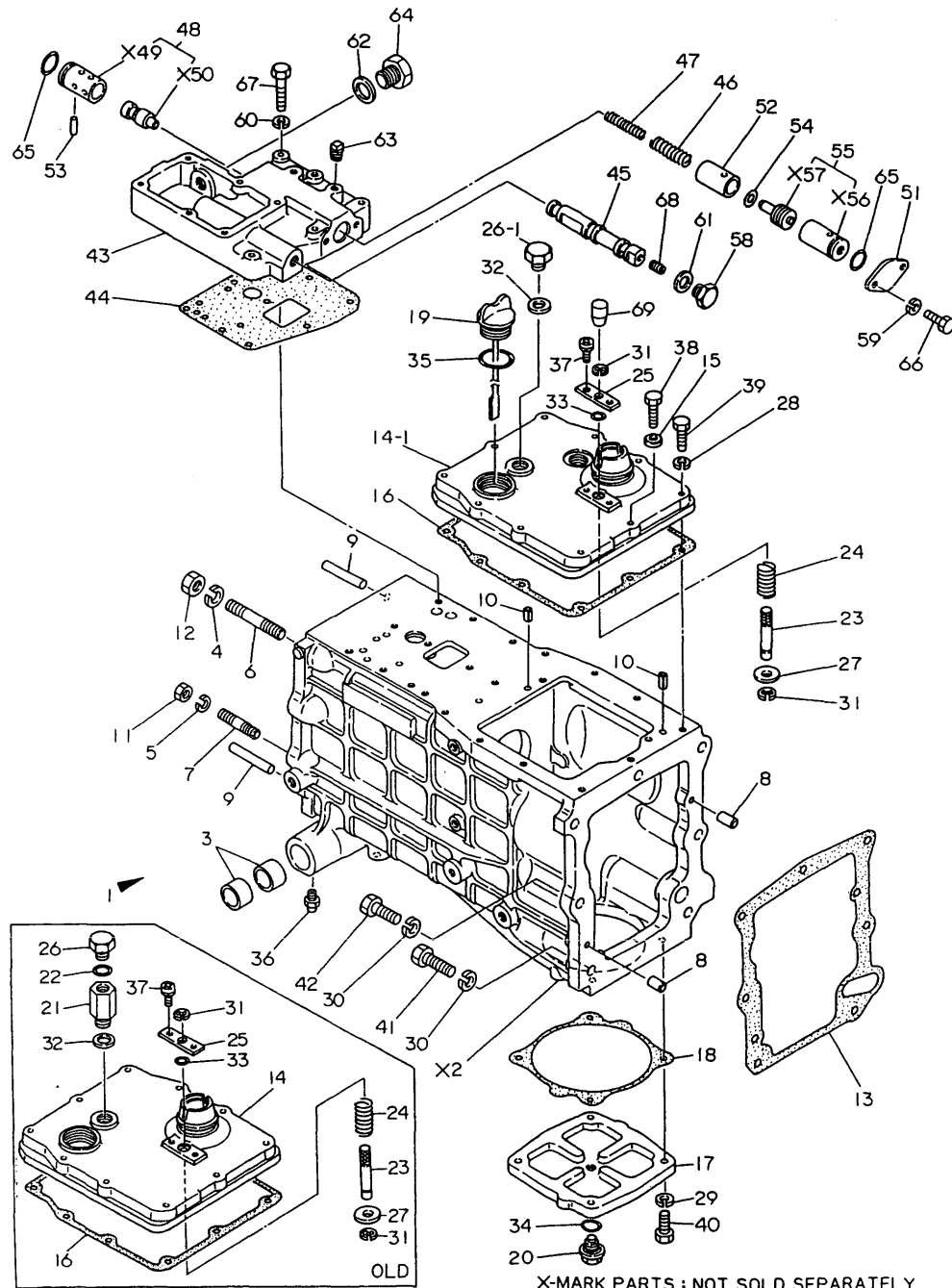
++ CONTINUE ++



Fig. 45 TRANSMISSION HOUSING (STANDARD)

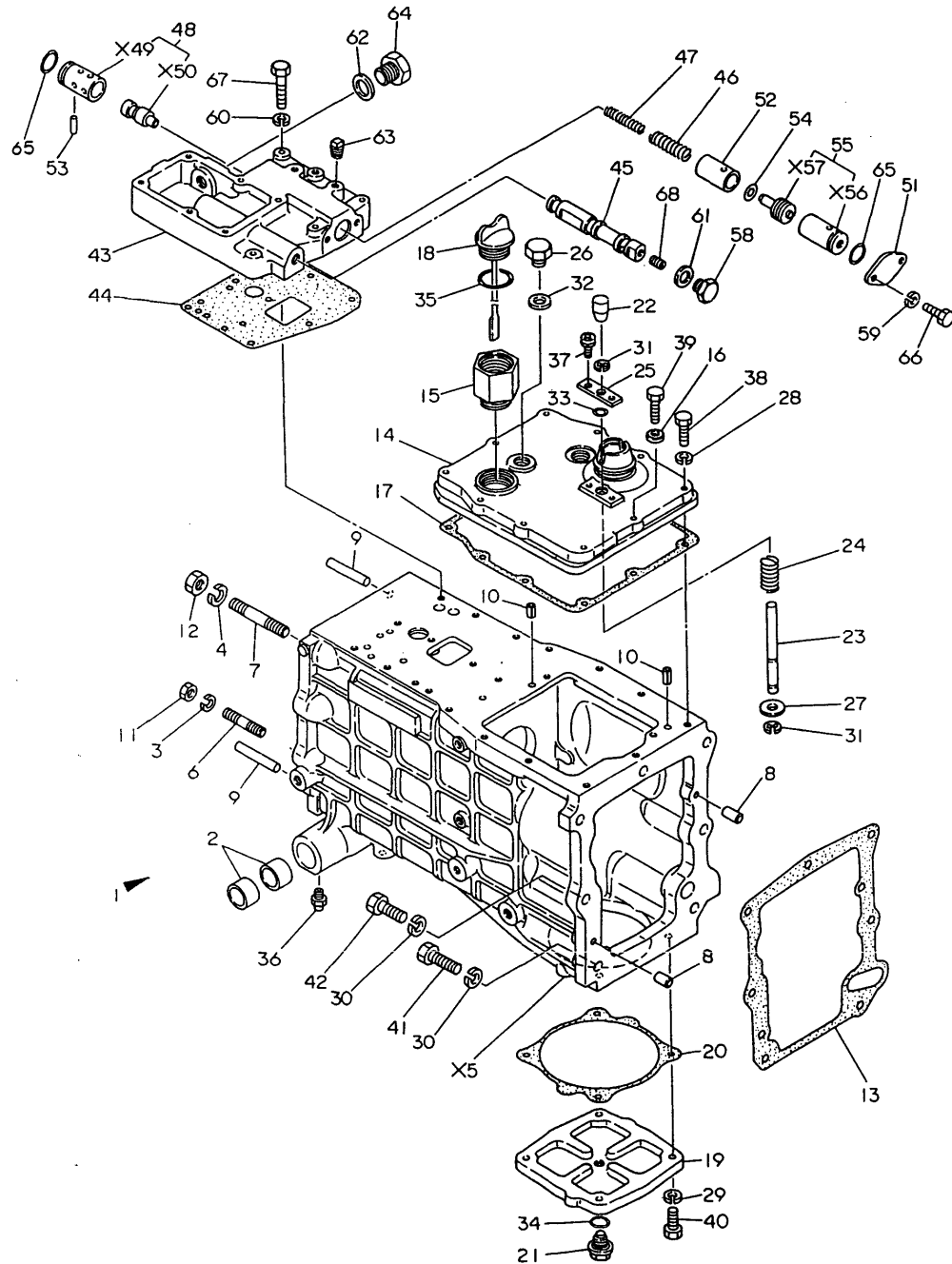
Y00T2321 45. TRANSMISSION HOUSING(STANDARD)

(A)=YM276 (D)=  
 (B)=YM276D (E)=  
 (C)= (F)=



REF.	LEV.	PARTS NO.	DESCRIPTION	QTY						I	R
				(A)	(B)	(C)	(D)	(E)	(F)		
40	1	26116-100302	BOLT M10X 30 PLATED	4							
41	1	26116-120352	BOLT M12X 35 PLATED	5	5						
42	1	26116-120452	BOLT M12X 45 PLATED	2	2						
43	1	194446-24500-X	CASE, REGULATOR	1	1						
44	1	194300-24511	GASKET, REGULATOR	1	1						
45	1	194310-24520	SPOOL, VALVE	1	1						
46	1	194446-24540	SPRING, RELIEF	1	1						
47	1	194446-24550	SPRING, RELIEF	1	1						
48	1	194446-24560	VALVE ASSY, RELIEF	1	1						
48-1	1	194446-24561	VALVE ASSY, RELIEF	1	1						N
		(A=*1981.11) (B=*1981.11)									
51	1	194300-24571-X	PLATE, END	1	1						
52	1	194446-24580	HOLDER, SPRING	1	1						
53	1	194446-24610	PARALLEL PIN	1	1						
54	1	194446-24620	SHIM T=0.5	2	2						
55	1	194446-24630	VALVE ASSY, DRV	1	1						
58	1	194310-24660	PLUG M18	1	1						
59	1	22217-060000	SPRING WASHER 6	2	2						
60	1	22217-080000	SPRING WASHER 8	5	5						
61	1	23414-180000	GASKET 18, ROUND	1	1						
62	1	23414-220000	PACKING 22,ROUND	1	1						
63	1	23871-010000	PLUG PT1/8,SCREW	2	2						
64	1	23881-220002	PLUG 22	1	1						
65	1	24341-000224	O-RING 1A S-22.4	2	2						
66	1	26116-060122	BOLT M 6X 12	2	2						
67	1	26116-080452	BOLT M 8X 45 PLATED	5	5						
68	1	26911-080082	SCREW M 8X 8	1	1						
69	1	194550-27030	KNOB	1	1						W
		(A=*1981.11) (B=*1981.11)									

Fig. 46 TRANSMISSION HOUSING (SCANDINAVIA)



Y00T2321 46. TRANSMISSION HOUSING(SCANDINAVIA)

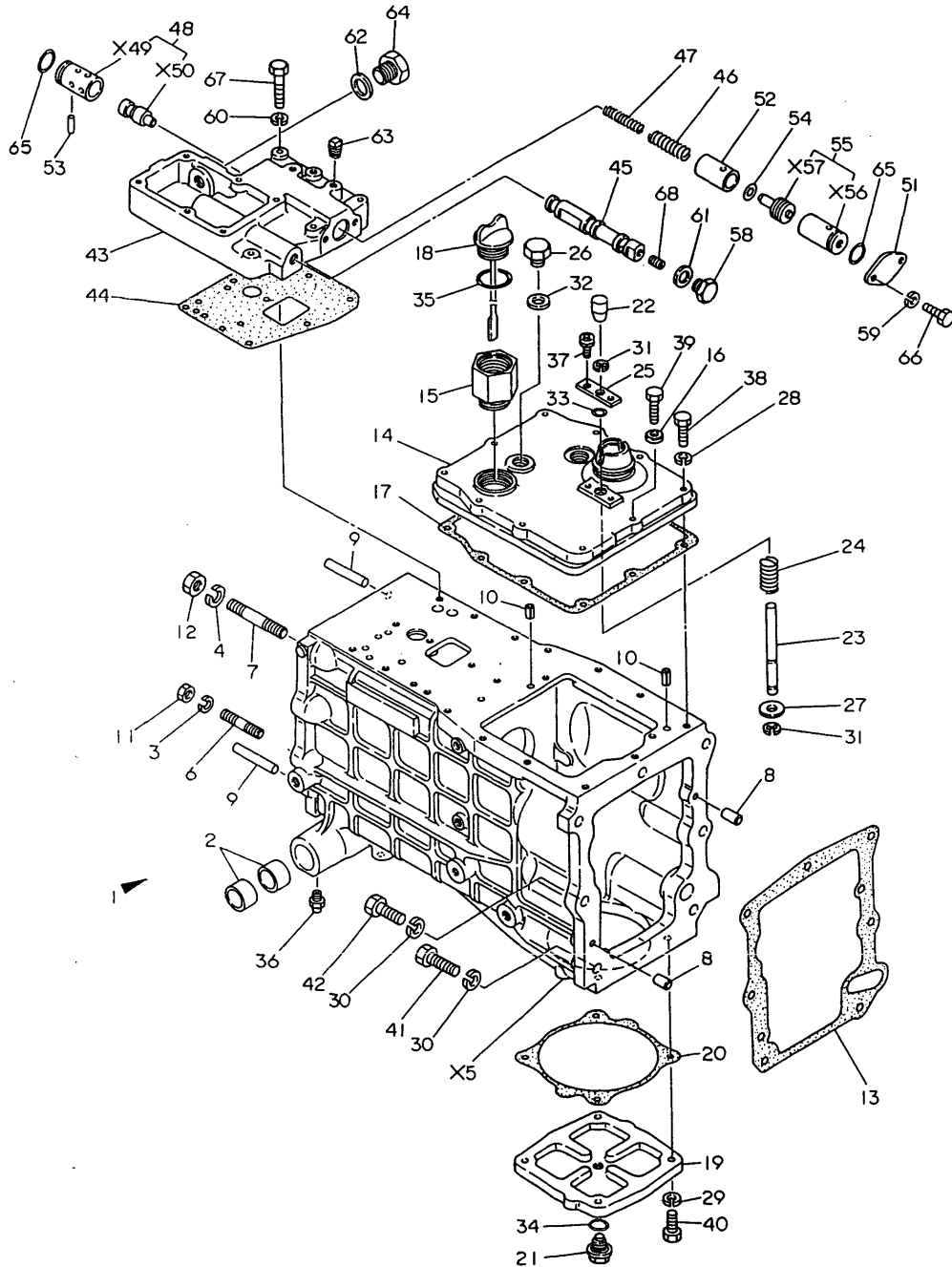
(A)=YM276 (D)=  
 (B)=YM276D (E)=  
 (C)= (F)=

REF.	LEV.	PARTS NO.	DESCRIPTION	QTY						I	R
				(A)	(B)	(C)	(D)	(E)	(F)		
1	1	194170-24100-X	HOUSING,TRANSMISSION	1	1						
2	2	194740-06080	BUSH 25X30X18	4	4						
3	2	194274-13580	SPRING WASHER 12	7	7						
4	2	194465-14220	WASHER 14	2	2						
6	2	194312-24130	STUD M12X 75	7	7						
7	2	194170-24140	STUD M14X 85	2	2						
8	2	22312-100180	PARALLEL PIN 10X 18	2	2						
9	2	22312-100560	PARALLEL PIN 10X56	2	2						
10	2	22351-080020	SPRING PIN 8X20	2	2						
11	2	26716-120002	NUT M12	7	7						
12	2	26716-140002	NUT M14	2	2						
13	1	194312-24120	GASKET, HOUSING	1	1						
14	1	194312-24231	COVER, RANGE SHIFT	1	1						
15	1	194324-24230	PIPE,OIL LEVER	1	1						
16	1	194310-24240	SEAL WASHER 8	1	1						
17	1	194312-24240	GASKET	1	1						
18	1	194450-24250	DIPSTICK 33X225	1	1						
19	1	194310-24270-X	COVER, LOWER	1							
20	1	194312-24280	GASKET, BOTTOM COVER	1							
21	1	194151-24770	PLUG 14, OIL	1							
21-1	1	23491-140002	PLUG 14	1							N
(A=T/# 20618)											
22	1	194550-27030	KNOB	1	1						
23	1	194172-27420	LEVER,CREEP LOCK	1	1						
24	1	194312-27430	SPRING	1	1						
25	1	194312-27440	RETAINER	1	1						
26	1	194312-46750	PLUG PF3/8	1	1						
27	1	1C6080-62670	WASHER,BELT CVR.MTG.	1	1						
28	1	22217-080000	SPRING WASHER 8	9	9						
29	1	22217-100000	SPRING WASHER 10	4							
30	1	22217-120000	WASHER 12,SPRING	7	7						
31	1	22272-000060	CIRCLIP E- 6	2	2						
32	1	23414-170022	GASKET 17	1	1						
33	1	24311-000080	O-RING 1A P-8.0	1	1						
34	1	24311-000160	O-RING 1A P-16.0	1	1						
35	1	24341-000315	O-RING 1A S-31.5	1	1						
36	1	24761-010000	NIPPLE M6F, GREASE	2	2						
37	1	26022-050082	SCREW M 5X 8	2	2						
38	1	26116-080352	BOLT M 8X 35	9	9						
39	1	26116-080352	BOLT M 8X 35	1	1						
40	1	26116-100302	BOLT M10X 30 PLATED	4							
41	1	26116-120352	BOLT M12X 35 PLATED	5	5						
42	1	26116-120452	BOLT M12X 45 PLATED	2	2						
43	1	194446-24500-X	CASE, REGULATOR	1	1						
44	1	194300-24511	GASKET, REGULATOR	1	1						
45	1	194310-24520	SPOOL, VALVE	1	1						
46	1	194446-24540	SPRING, RELIEF	1	1						
47	1	194446-24550	SPRING, RELIEF	1	1						
48	1	194446-24561	VALVE ASSY, RELIEF	1	1						
51	1	194300-24571-X	PLATE, END	1	1						
52	1	194446-24580	HOLDER, SPRING	1	1						
53	1	194446-24610	PARALLEL PIN	1	1						
54	1	194446-24620	SHIM T=0.5	2	2						
55	1	194446-24630	VALVE ASSY, DRV	1	1						

++ CONTINUE ++

Fig. 46 TRANSMISSION HOUSING (SCANDINAVIA)

(A)=YM276 (D)=  
 (B)=YM276D (E)=  
 (C)= (F)=

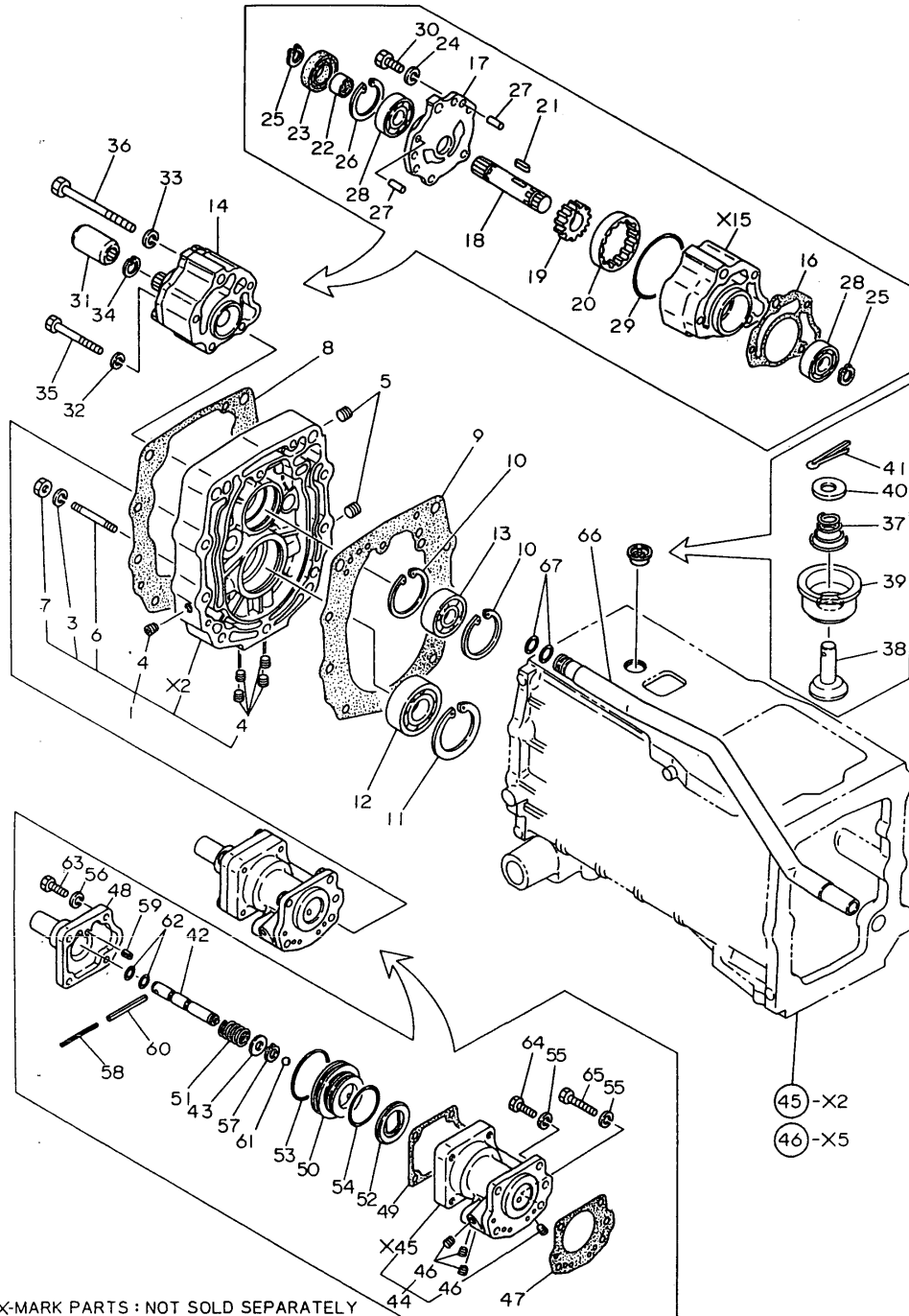


REF.	LEV.	PARTS NO.	DESCRIPTION	QTY						I	R
				(A)	(B)	(C)	(D)	(E)	(F)		
58	1	194310-24660	PLUG M18	1	1						
59	1	22217-060000	SPRING WASHER 6	2	2						
60	1	22217-080000	SPRING WASHER 8	5	5						
61	1	23414-180000	GASKET 18, ROUND	1	1						
62	1	23414-220000	PACKING 22,ROUND	1	1						
63	1	23871-010000	PLUG PT1/8,SCREW	2	2						
64	1	23881-220002	PLUG 22	1	1						
65	1	24341-000224	O-RING 1A S-22.4	2	2						
66	1	26116-060122	BOLT M 6X 12	2	2						
67	1	26116-080452	BOLT M 8X 45 PLATED	5	5						
68	1	26911-080082	SCREW M 8X 8	1	1						

Fig. 47 CENTER PLATE & POWER SHIFT PUMP

Y00T2321 47. CENTER PLATE & P.S.PUMP

(A)=YM276 (D)=  
 (B)=YM276D (E)=  
 (C)= (F)=



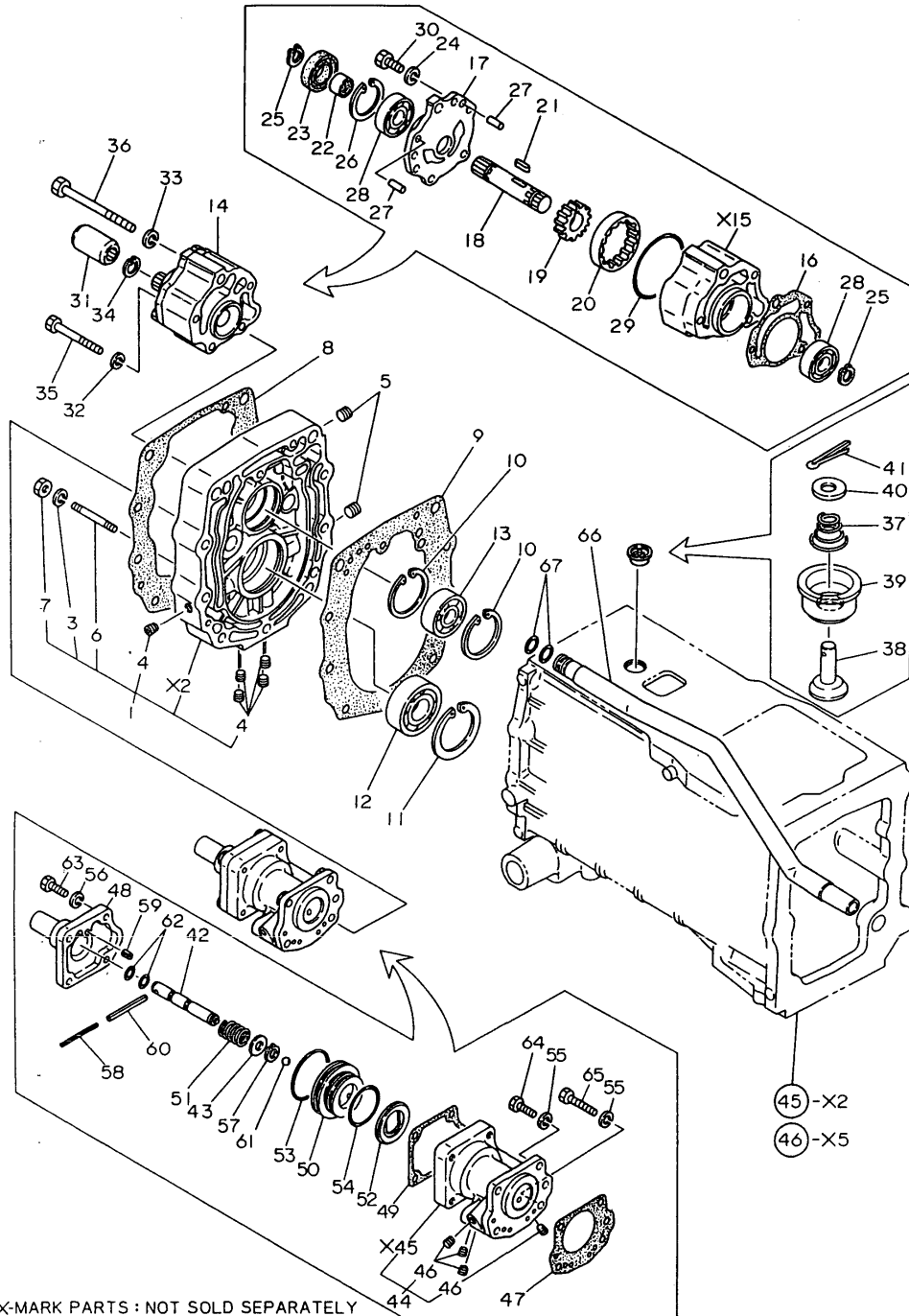
REF.	LEV.	PARTS NO.	DESCRIPTION	QTY						I	R
				(A)	(B)	(C)	(D)	(E)	(F)		
1	1	194170-24150-X	PLATE ASSY, CENTER	1	1						
3	2	22217-080000	SPRING WASHER 8	1	1						
4	2	23871-010000	PLUG PT1/8,SCREW	5	5						
5	2	23871-020000	PLUG PT1/4,SCREW	2	2						
6	2	26226-080602	STUD 8X60	1	1						
7	2	26716-080002	NUT M 8	1	1						
8	1	194170-24170	GASKET	1	1						
9	1	194170-24180	GASKET	1	1						
10	1	22252-000520	CIRCLIP 52	2	2						
11	1	22252-000620	CIRCLIP 62(H)	1	1						
12	1	24101-062064	BALL BEARING	1	1						
13	1	24101-063044	BALL BEARING	1	1						
14	1	194312-24041	PUMP ASSY, P. SHIFT.	1	1						
16	2	194312-24410	GASKET	1	1						
17	2	194310-24420	COVER, HOUSING	1	1						
18	2	194310-24430	SHAFT, DRIVE	1	1						
19	2	194310-24440	GEAR, DRIVE	1	1						
20	2	194310-24450	GEAR, INTERNAL	1	1						
21	2	194310-24460	KEY 4X4X17	1	1						
22	2	194310-24470	SLEEVE 20X25X13	1	1						
23	2	194310-25060	SEAL TC25 42 8, OIL	1	1						
23-1	2	24423-254208	SEAL TC 25 42 8, OIL	1	1						S
		(A=T/# 20558) (B=T/# 41311)									
24	2	22217-080000	SPRING WASHER 8	2	2						
25	2	22242-000190	CIRCLIP 19	2	2						
26	2	22252-000420	CIRCLIP 42	1	1						
27	2	22312-080200	PARALLEL PIN 8X20	2	2						
28	2	24101-060044	BALL BEARING 6004	2	2						
29	2	24341-000750	O-RING 1A S-75.0	1	1						
30	2	26116-080252	BOLT M 8X 25 PLATED	2	2						
31	1	194310-25100	JOINT	1	1						
32	1	22217-080000	SPRING WASHER 8	4	4						
33	1	22217-100000	SPRING WASHER 10	1	1						
34	1	22252-000170	CIRCLIP 17	1	1						
35	1	26116-080752	BOLT M 8X 75 PLATED	4	4						
36	1	26116-101152	BOLT M10X115 PLATED	1	1						
37	1	194310-24770	SPRING	1	1						
38	1	1E6190-55660	VALVE, 2ND RELIEF	1	1						
39	1	1E6190-55710	SEAT, 2ND RELIEF	1	1						
40	1	22117-060000	WASHER 6	1	1						
41	1	22417-200100	COTTER PIN 2.0X10	1	1						
42	1	194312-24070	SHAFT, RELEASE	1	1						
42-1	1	194312-24071	SHAFT,RELEASE	1	1						S
		(A=T/# 20648) (B=T/# 41690)									
43	1	194312-24090	COLLER	1	1						
44	1	194312-24810	CASE ASSY, OIL SEAL	1	1						
46	2	23871-010000	PLUG PT1/8,SCREW	4	4						
47	1	194312-24830	GASKET	1	1						
48	1	194312-24840	COVER, SEAL CASE	1	1						
49	1	194312-24850	GASKET	1	1						
50	1	194312-24860	PISTON, SEAL CASE	1	1						
50-1	1	194312-24861	PISTON	1	1						S
		(A=T/# 20211) (B=T/# 40500)									
51	1	194310-24900	SPRING	1	1						

++ CONTINUE ++

X-MARK PARTS : NOT SOLD SEPARATELY

Fig. 47 CENTER PLATE & POWER SHIFT PUMP

(A)=YM276 (D)=  
 (B)=YM276D (E)=  
 (C)= (F)=

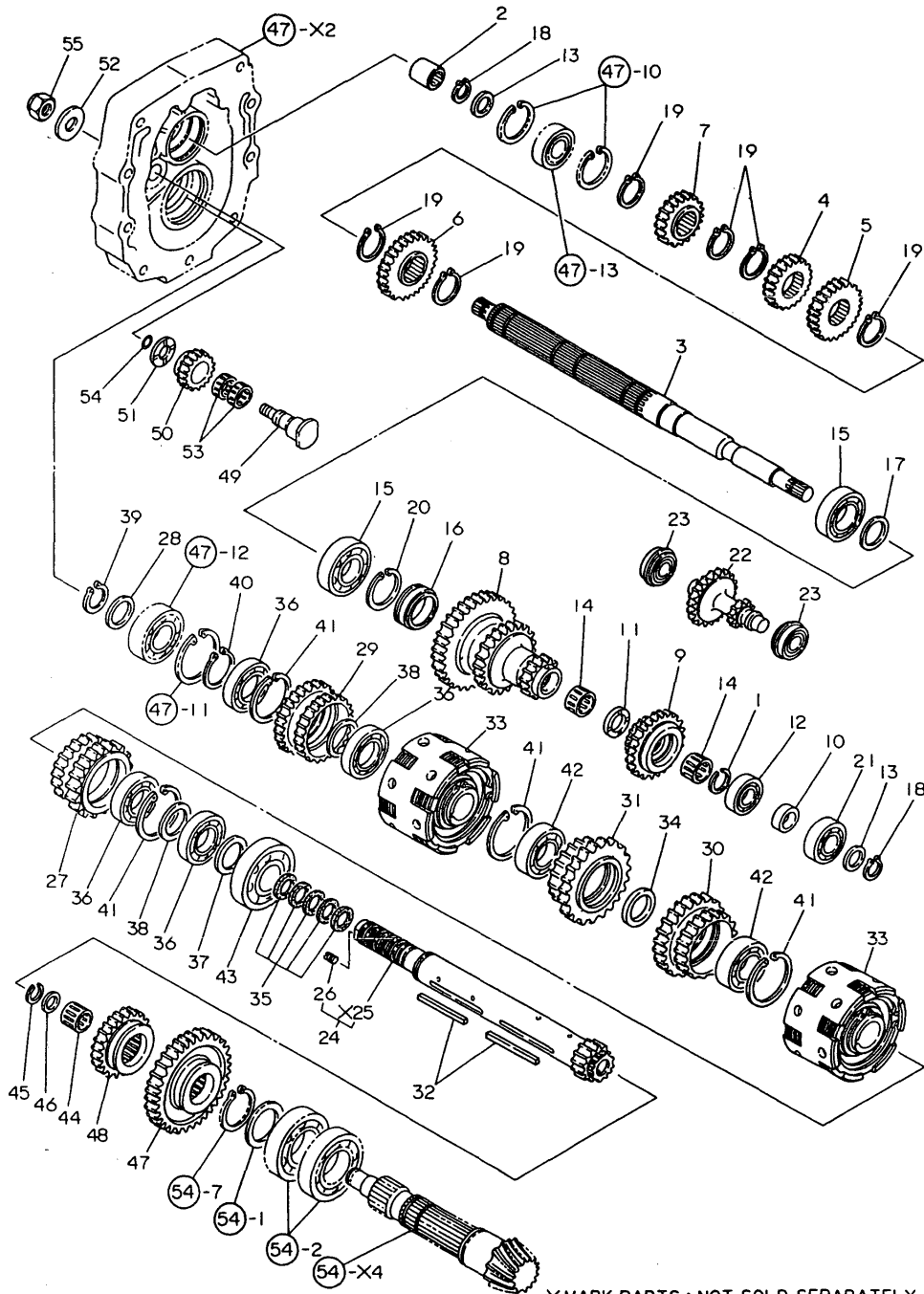


X-MARK PARTS : NOT SOLD SEPARATELY

REF.	LEV.	PARTS NO.	DESCRIPTION	QTY						I	R
				(A)	(B)	(C)	(D)	(E)	(F)		
52	1	194310-24910	BRAKE, NEUTRAL	1	1						
52-1	1	194310-24911	BRAKE, NEUTRAL	1	1						N
		(A=T/# 20627) (B=T/# 41578)									
53	1	194310-24970	O-RING 2060	1	1						
54	1	194310-24980	O-RING 2045	1	1						
55	1	22217-080000	SPRING WASHER 8	3	3						
56	1	22217-080000	SPRING WASHER 8	4	4						
57	1	22242-000140	CIRCLIP 14	1	1						
57-1	1	22242-000150	CIRCLIP 15	1	1						S
		(A=T/# 20648) (B=T/# 41690)									
58	1	22351-050056	SPRING PIN 5X56	1	1						
59	1	22351-080016	SPRING PIN 8X16	1	1						
60	1	22351-080056	SPRING PIN 8X56	1	1						
61	1	24190-120001	BALL 3/8,STEEL	1	1						
61-1	1	24190-140001	BALL 7/16, STEEL	1	1						S
		(A=T/# 20211) (B=T/# 40500)									
62	1	24311-000110	O-RING 1A P-11.0	2	2						
63	1	26116-080252	BOLT M 8X 25 PLATED	4	4						
64	1	26116-080252	BOLT M 8X 25 PLATED	2	2						
65	1	26116-080352	BOLT M 8X 35	1	1						
66	1	194312-24950	PIPE, SUCTION	1	1						
67	1	194310-24960	O-RING 1018	2	2						

Fig. 48 TRANSMISSION GEARS

(A)=YM276 (D)=  
 (B)=YM276D (E)=  
 (C)= (F)=



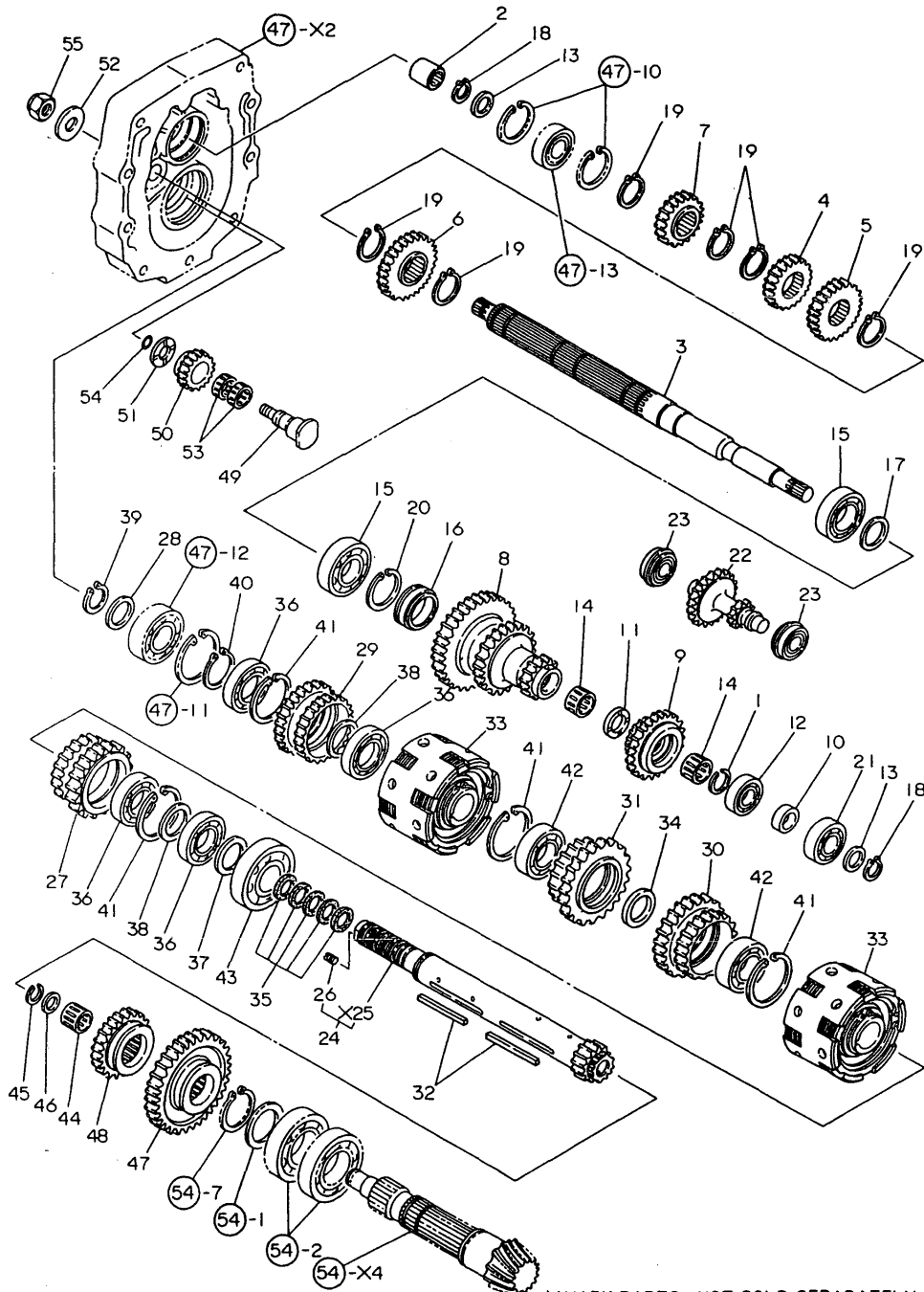
X-MARK PARTS : NOT SOLD SEPARATELY

REF.	LEV.	PARTS NO.	DESCRIPTION	QTY						I	R
				(A)	(B)	(C)	(D)	(E)	(F)		
1	1	1C6140-13880	CIRCLIP BR26	1	1						
2	1	194310-25050	COUPLING	1	1						
3	1	194170-25120	SHAFT, MAIN	1	1						
4	1	194312-25130	GEAR, MAIN	1	1						
4-1	1	194312-25131	GEAR, MAIN	1	1						N
		(A=*1981.09) (B=*1981.09)									
5	1	194312-25140	GEAR, MAIN	1	1						
5-1	1	194312-25141	GEAR, MAIN	1	1						N
		(A=*1981.09) (B=*1981.09)									
6	1	194312-25150	GEAR, MAIN	1	1						
6-1	1	194312-25151	GEAR, MAIN	1	1						N
		(A=*1981.09) (B=*1981.09)									
7	1	194170-25160	GEAR, MAIN	1	1						
7-1	1	194170-25161	GEAR, MAIN	1	1						N
		(A=*1981.09) (B=*1981.09)									
8	1	194170-25170	GEAR, COUNTER	1	1						
9	1	194170-25180	GEAR, CREEP	1	1						
10-1	1	194312-25220	SPACER 20X30X9	1	1						
11-1	1	194312-25240	WASHER 22X35X5.5	1	1						
12-1	1	194312-25260	BALL BEARING	1	1						
13-1	1	194312-25270	SPACER 20X30X1.6	2	2						
14-1	1	194312-25290	NEEDLE BEARING	2	2						
15	1	194446-25620	BALL BEARING	2	2						
16	1	194170-25700	CLUTCH, 1-WAY	1	1						
17	1	194310-37570	WASHER	1	1						
18	1	22242-000190	CIRCLIP 19	2	2						
19	1	22242-000290	CIRCLIP 29	6	6						
20	1	22252-000450	CIRCLIP 45	1	1						
21	1	24101-063044	BALL BEARING	1	1						
22	1	194170-25750	GEAR, IDLE	1	1						
23	1	24121-062034	BALL BEARING	2	2						
24	1	194170-25400	SHAFT ASSY, CLUTCH	1	1						
26	2	1E6191-54330	SCREW 7X8	4	4						
27	1	194312-25420	GEAR, CLUTCH REVERSE	1	1						
27-1	1	194312-25421	GEAR, CLUTCH	1	1						N
		(A=*1981.09) (B=*1981.09)									
28	1	194312-25470	SPACER 30X40X2	1	1						
29	1	194170-25480	GEAR, CLUTCH	1	1						
29-1	1	194170-25481	GEAR, CLUTCH	1	1						N
		(A=*1981.09) (B=*1981.09)									
30	1	194312-25490	GEAR, CLUTCH	1	1						
30-1	1	194312-25491	GEAR, CLUTCH	1	1						N
		(A=*1981.09) (B=*1981.09)									
31	1	194312-25500	GEAR, CLUTCH	1	1						
31-1	1	194312-25501	GEAR, CLUTCH	1	1						N
		(A=*1981.09) (B=*1981.09)									
32	1	194310-25530	KEY 7X5.8X72	2	2						
33	1	794170-25540	CYLINDER ASSY,CLUTCH	2	2						
34	1	194310-25660	COLLAR 35X45X5	1	1						
35	1	194310-25690	SEAL RING 26303	5	5						
36	1	194454-25770	BALL BEARING	4	4						
37	1	194310-26610	SPACER 35X46X1	1	1						
38	1	194310-26620	SPACER 35X46X2.3	2	2						
39	1	22242-000290	CIRCLIP 29	1	1						

++ CONTINUE ++

Fig. 48 TRANSMISSION GEARS

(A)=YM276 (D)=  
 (B)=YM276D (E)=  
 (C)= (F)=



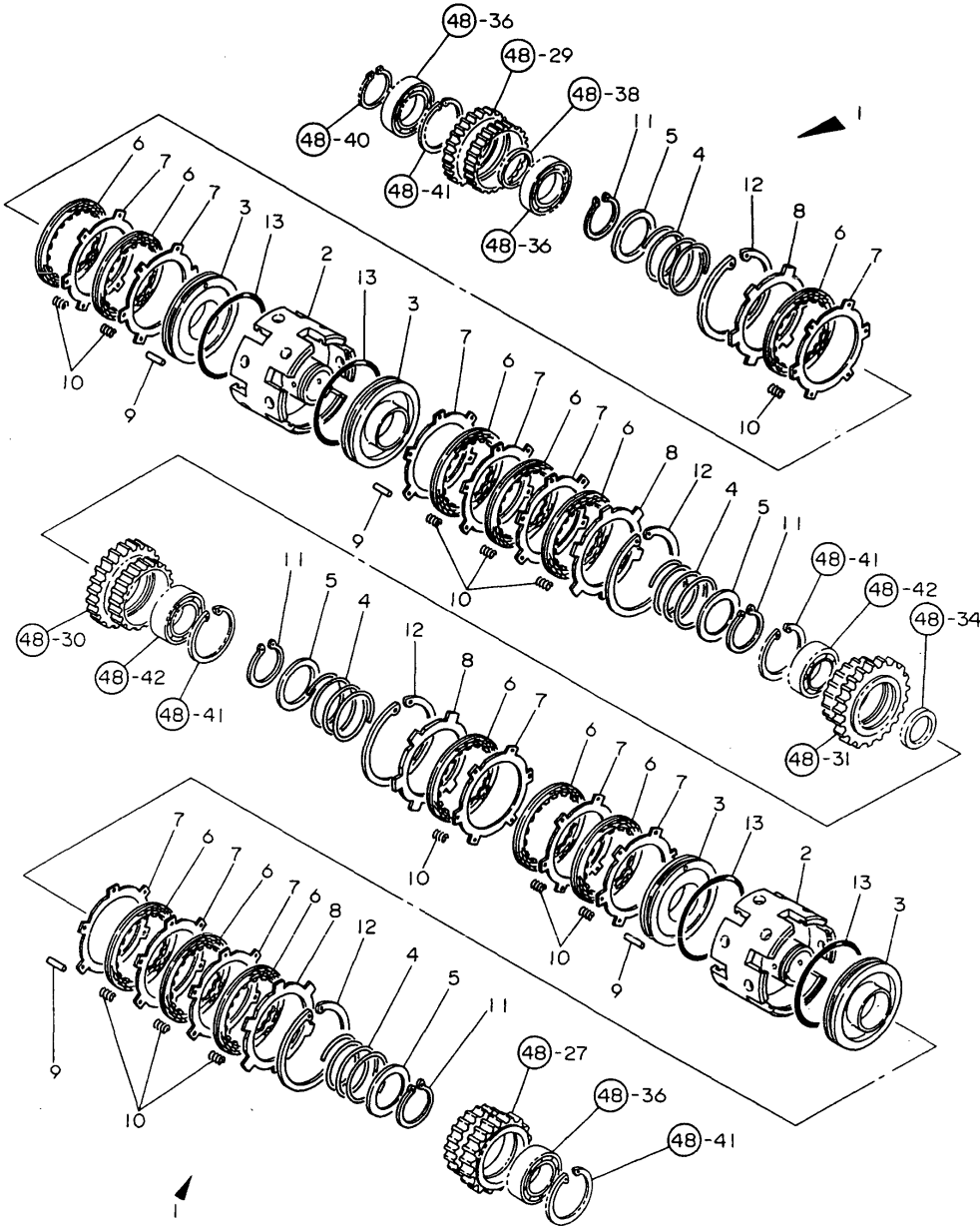
X-MARK PARTS : NOT SOLD SEPARATELY

REF.	LEV.	PARTS NO.	DESCRIPTION	QTY						I	R
				(A)	(B)	(C)	(D)	(E)	(F)		
40	1	22242-000340	CIRCLIP 34	1	1						
41	1	22252-000620	CIRCLIP 62(H)	4	4						
42	1	24101-060074	BALL BEARING	2	2						
43	1	24101-062074	BALL BEARING	1	1						
44	1	194310-25830	NEEDLE BEARING	1	1						
45	1	194310-25840	CIRCLIP WR18	1	1						
46	1	194310-25850	COLLAR 18X23X3	1	1						
47	1	194170-25960	GEAR, SLIDE	1	1						
48	1	194170-25970	GEAR, SLIDE	1	1						
49	1	194170-25310	SHAFT, REVERSE IDLE	1	1						
50	1	194170-25320	GEAR, REVERSE IDLE	1	1						
51	1	194312-25370	WASHER 18X34X2.3	1	1						
52	1	22117-120000	WASHER 12	1	1						
53	1	24161-222610	NEEDLE BEARING	2	2						
54	1	24311-000140	O-RING 1A P-14.0	1	1						
55	1	26346-120002	U-NUT M12 PLATED	1	1						

Fig. 49 CYLINDER OF POWER SHIFT CLUTCH

Y00T2321 49. CYLINDER OF P.S.CLUTCH

(A)=YM276 (D)=  
 (B)=YM276D (E)=  
 (C)= (F)=



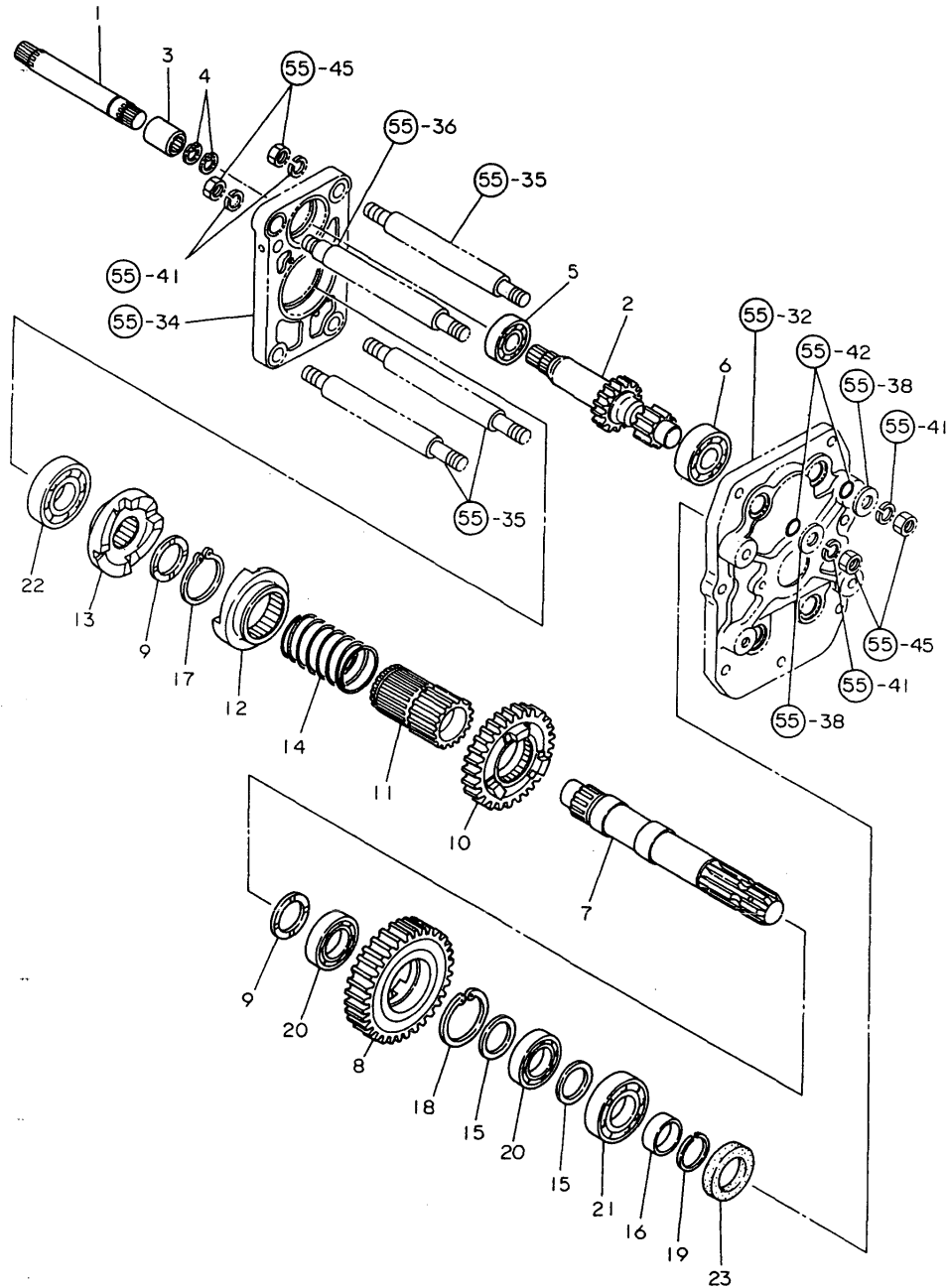
REF.	LEV.	PARTS NO.	DESCRIPTION	QTY						I	R
				(A)	(B)	(C)	(D)	(E)	(F)		
1	1	794170-25540	CYLINDER ASSY,CLUTCH	2	2						
2	2	194310-25540	CYLINDER, CLUTCH	2	2						
3	2	194310-25550	PISTON, CLUTCH	4	4						
4	2	194310-25560	SPRING	4	4						
5	2	194310-25570	RETAINER	4	4						
6	2	194310-25590	PLATE, FRICTION	12	12						
7	2	194310-25600	PLATE, 1.6, STEEL	12	12						
8	2	194310-25610	PLATE 3.5, STEEL	4	4						
9	2	194310-25620	PIN 2X14.3	24	24						
10	2	194310-25630	SPRING, CLUTCH	72	72						
11	2	22242-000480	CIRCLIP 48	4	4						
12	2	22252-001000	CIRCLIP 100(H)	4	4						
13	2	24325-000950	O-RING 1B G-95.0	4	4						



Fig. 50 P.T.O. DRIVE SHAFT

Y00T2321 50. P.T.O.DRIVE SHAFT

(A)=YM276 (D)=  
 (B)=YM276D (E)=  
 (C)= (F)=

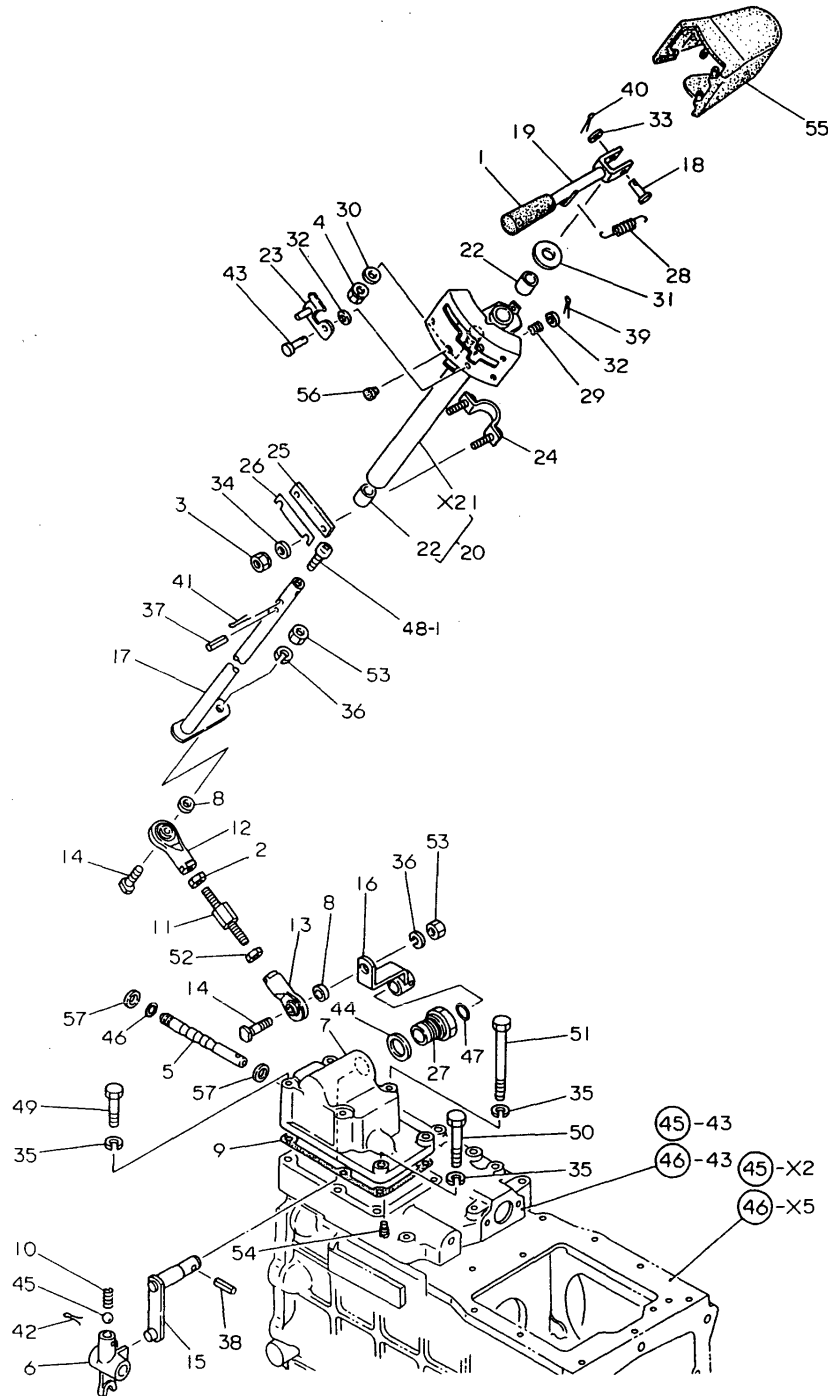


REF.	LEV.	PARTS NO.	DESCRIPTION	QTY						I	R
				(A)	(B)	(C)	(D)	(E)	(F)		
1	1	194170-25990	SHAFT, CONNECTING	1	1						
2	1	194170-26150	SHAFT, PTO PINION	1	1						
3	1	194190-26180	JOINT	1	1						
4	1	22252-000170	CIRCLIP 17	2	2						
5	1	24101-063044	BALL BEARING	1	1						
6	1	24101-063054	BEARING #6305	1	1						
7	1	194170-26500	SHAFT, P.T.O.	1	1						
8	1	194170-26550	GEAR, P.T.O.	1	1						
9	1	194322-26550	WASHER	2	2						
10	1	194170-26560	GEAR, SLIDE	1	1						
11	1	194170-26570	SHAFT, P.T.O.	1	1						
12	1	194275-26580	CLUTCH (A), ONE-WAY	1	1						
13	1	194170-26590	CLUTCH (A), 1-WAY	1	1						
14	1	194170-26610	SPRING	1	1						
15	1	194310-26620	SPACER 35X46X2.3	2	2						
16	1	194130-33452	COLLAR 35X42X13	1	1						
17	1	22242-000500	CIRCLIP 50	1	1						
18	1	22252-000620	CIRCLIP 62(H)	1	1						
19	1	22292-000340	CIRCLIP S-34	1	1						
20	1	24101-060074	BALL BEARING	2	2						
21	1	24101-062074	BALL BEARING	1	1						
22	1	24101-063064	BALL BEARING	1	1						
23	1	194130-26350	SEAL TC 426009, OIL	1	1						

Fig. 51 COLUMN SHIFT

Y00T2321 51. COLUMN SHIFT

(A)=YM276 (D)=  
 (B)=YM276D (E)=  
 (C)= (F)=

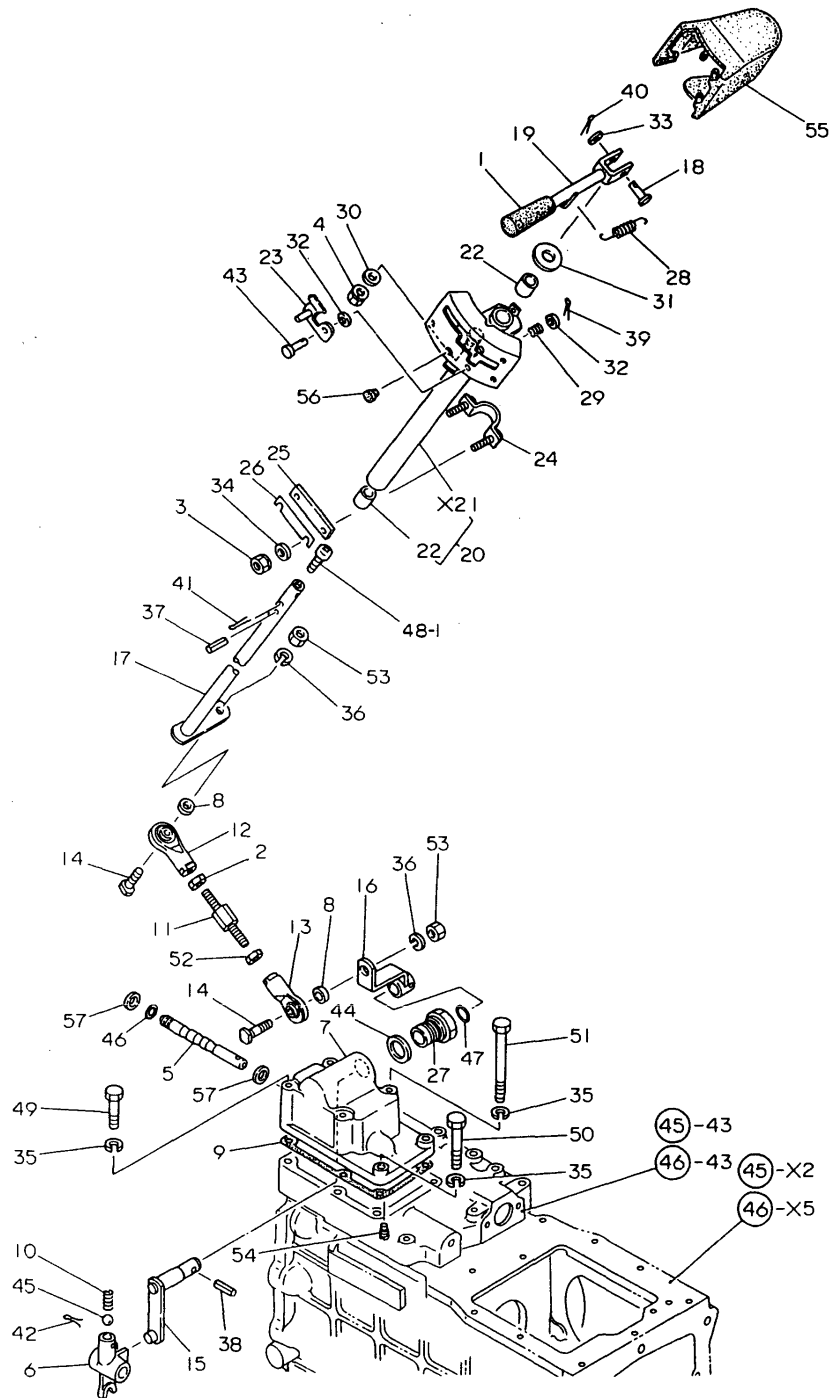


REF.	LEV.	PARTS NO.	DESCRIPTION	QTY						I	R
				(A)	(B)	(C)	(D)	(E)	(F)		
1	1	194464-01190	KNOB, THROTTLE LEVER	1	1						
2	1	194990-20170	NUT W/WASHER 8	1	1						
3	1	194990-22040	NUT W/WASHER 6	2	2						
4	1	194990-22050	NUT W/WASHER 8	1	1						
5	1	194170-27100	SHAFT, FORK	1	1						
6	1	194170-27120	FORK, SHIFT	1	1						
7	1	194170-27130-X	COVER	1	1						
8	1	194170-27140	COLLAR 14X10X5	2	2						
8-1	1	194145-04810	WASHER 10	2	2						N
(A=T/# 20558) (B=T/# 41292)											
9	1	194300-27140	GASKET	1	1						
10	1	194310-27140	SPRING, SHIFT FORK	1	1						
11	1	194170-27150	BOLT, ADJUST	1	1						
12	1	194170-27170-X	END (L), ROD	1	1						
13	1	194170-27180-X	END (R), ROD	1	1						
14	1	194170-27190	BOLT M10X 28	2	2						
15	1	194170-27210-X	ARM, SHIFT	1	1						
16	1	194170-27220-X	ARM (B), SHIFT	1	1						
17	1	194170-27200	SHAFT, POWER SHIFT	1	1						
17-1	1	194170-27201	ARM, MAIN SHIFT	1	1						N
(A=*1981.01) (B=*1981.01)											
18	1	194300-27240	PIN 5X24.5	1	1						
18-1	1	194170-27380	PIN 5X 30.5	1	1						S 1
(A=T/# 20627) (B=T/# 41570)											
19	1	194170-27260-U	LEVER, MAIN SHIFT	1	1						
19-1	1	194170-27261	LEVER, MAIN SHIFT	1	1						N 1
(A=T/# 20627) (B=T/# 41570)											
20	1	194170-27270-X	GUIDE ASSY, LEVER	1	1						
22	2	194145-47160	BUSH 13X15X15	2	2						
22-1	2	24550-013150	BUSHING 13X15	2	2						N
(A=T/# 20634) (B=T/# 41642)											
23	1	194170-27290-X	PLATE, LOCK	1	1						
24	1	194170-27310-X	CLAMP	1	1						
25	1	194170-27320-X	PLATE	1	1						
26	1	194170-27330-U	SHIM, CLAMP	4	4						
27	1	194170-27370-X	HOLDER	1	1						
28	1	194440-29580	SPRING, LEVER	1	1						
29	1	194162-53310	SPRING	1	1						
30	1	22127-080000	WASHER 8	1	1						
31	1	22137-140000	WASHER 14, POLISHED	1	1						
32	1	22137-040000	WASHER 4	2	2						
33	1	22137-050000	WASHER 5, POLISHED	1	1						Z
(A=FXXXXX) (B=FXXXXX)											
34	1	22137-060000	WASHER 6, POLISHED	2	2						
35	1	22217-080000	SPRING WASHER 8	6	6						
36	1	22217-100000	SPRING WASHER 10	2	2						
37	1	22351-030020	SPRING PIN 3X20	1	1						
38	1	22351-050025	SPRING PIN 5X25	1	1						
39	1	22417-120100	COTTER PIN 1.2X10	1	1						
40	1	22417-160180	COTTER PIN 1.6X18	1	1						
40-1	1	22417-160180	COTTER PIN 1.6X18	2	2						K 1
(A=T/# 20627) (B=T/# 41570)											
41	1	22417-300250	COTTER PIN 3.0X 25	1	1						
42	1	22417-300250	COTTER PIN 3.0X 25	1	1						

++ CONTINUE ++

Fig. 51 COLUMN SHIFT

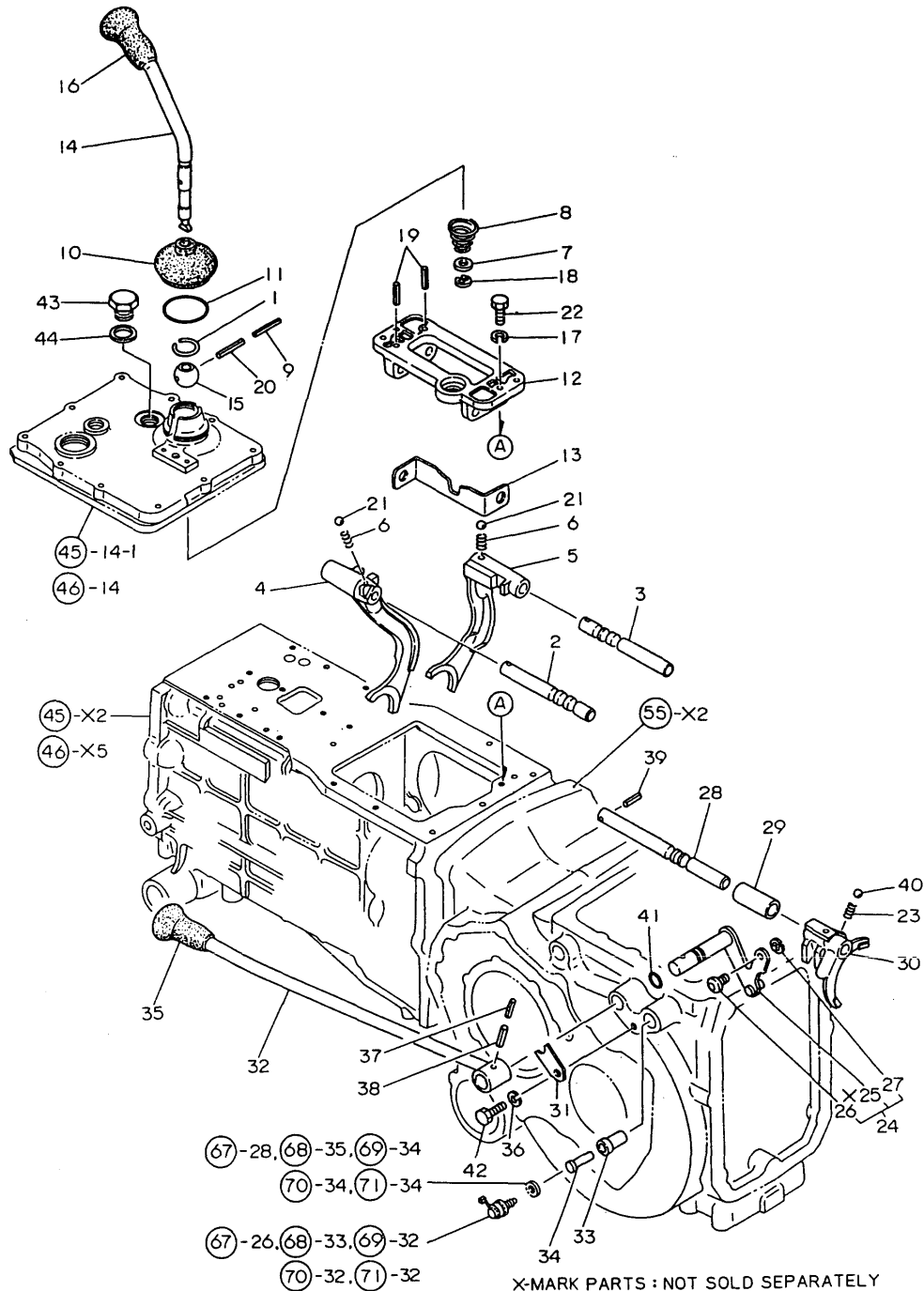
(A)=YM276 (D)=  
 (B)=YM276D (E)=  
 (C)= (F)=



REF.	LEV.	PARTS NO.	DESCRIPTION	QTY						I	R
				(A)	(B)	(C)	(D)	(E)	(F)		
43	1	22487-040140	PIN 4X 14	1	1						
44	1	23414-220000	PACKING 22,ROUND	1	1						
45	1	24190-140001	BALL 7/16, STEEL	1	1						
46	1	24311-000090	O-RING 1A P-9.0	1	1						
47	1	24311-000140	O-RING 1A P-14.0	1	1						
48-1	1	26557-060082	SCREW M 6X 8	1	1						
49	1	26116-080602	BOLT M 8X 60 PLATED	2	2						
50	1	26116-080702	BOLT M 8X 70 PLATED	2	2						
51	1	26116-081052	BOLT M 8X105 PLATED	2	2						
52	1	26716-080002	NUT M 8	1	1						
53	1	26716-100002	NUT M10	2	2						
54	1	26921-080142	SCREW M 8X14	1	1						
55	1	194170-27340-X	COVER	1	1						
56	1	1C6053-26020	CAP, RUBBER	1	1						
57	1	22117-120000	WASHER 12	2	2						W

(A)=T/# 20409 (B)=T/# 40816

Fig. 52 RANGE SHIFT



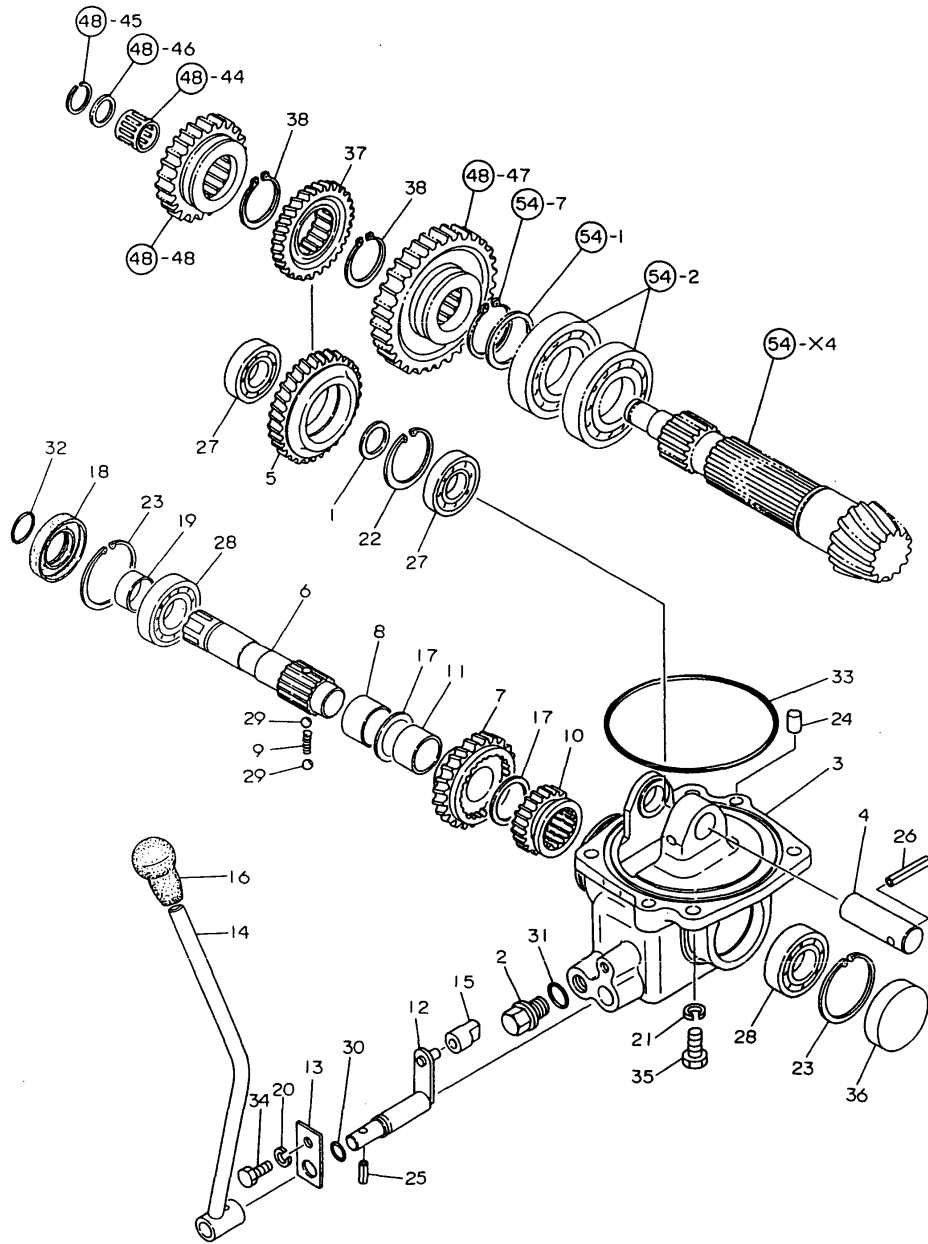
X-MARK PARTS : NOT SOLD SEPARATELY

Y00T2321 52. RANGE SHIFT

(A)=YM276 (D)=  
 (B)=YM276D (E)=  
 (C)= (F)=

REF.	LEV.	PARTS NO.	DESCRIPTION	QTY						I	R
				(A)	(B)	(C)	(D)	(E)	(F)		
1	1	1A1040-26320	CIRCLIP 30-H	1	1						
2	1	194170-27110-X	SHAFT, FORK	1	1						
2-1	1	194170-27111-X	SHAFT, FORK	1	1						N
		(A=T/# 20472) (B=T/# 40977)									
3	1	194312-27120	SHAFT, FORK	1	1						
3-1	1	194312-27121	SHAFT, FORK	1	1						N
		(A=T/# 20472) (B=T/# 40977)									
4	1	194170-27160	FORK, SHIFT	1	1						
5	1	194312-27170	FORK, SHIFT	1	1						
6	1	194310-27180	SPRING 22.2	2	2						
7	1	194080-27190	WASHER 13X19X2	1	1						
8	1	194422-27230	SPRING	1	1						
9	1	22351-035040	SPRING PIN 3.5X40	1	1						
9-1	1	194310-27240	PIN 3.5X40	1	1						N
		(A=FXXXXX) (B=FXXXXX)									
9-2	1	22351-035040	SPRING PIN 3.5X40	1	1						N
		(A=T/# 20627) (B=T/# 41570)									
10	1	194080-27252	BOOT (RUBBER)	1	1						
11	1	194190-27280	O-RING	1	1						
12	1	194312-27310	SUPPORT	1	1						
13	1	194312-27320	PLATE, GUIDE	1	1						
14	1	194170-27350-X	LEVER, RANGE SHIFT	1	1						
15	1	1E6140-56230	BALL, SHIFTER	1	1						
16	1	1A1020-58150	GRIP, CHANGE LEVER	1	1						
17	1	22217-080000	SPRING WASHER 8	2	2						
18	1	22272-000100	CIRCLIP E-10	1	1						
19	1	22351-060025	SPRING PIN 6X25	2	2						
20	1	22351-060040	SPRING PIN 6X40	1	1						
21	1	24190-100001	BALL 5/16, STEEL	2	2						
22	1	26116-080202	BOLT M 8X 20 PLATED	2	2						
23	1	194310-27180	SPRING 22.2	1	1						
24	1	194170-27560	ARM ASSY, SHIFT	1	1						
26	2	194170-27910	PIN	1	1						
27	2	22272-000060	CIRCLIP E- 6	1	1						
28	1	194170-27660	SHAFT, FORK	1	1						
29	1	194170-27680	COLLAR 15X22X49	1	1						
30	1	194312-27750	FORK, SHIFT	1	1						
31	1	194170-27760	PLATE, KEEP	1	1						
32	1	194170-27800-X	LEVER, PTO CLUTCH	1	1						
33	1	194170-27900	SUPPORT	1	1						
34	1	194170-27920	PIN	1	1						
35	1	194145-27960	KNOB	1	1						
36	1	22217-080000	SPRING WASHER 8	1	1						
37	1	22351-035028	SPRING PIN 3.5X28	1	1						
38	1	22351-060028	SPRING PIN 6X28	1	1						
39	1	22351-060028	SPRING PIN 6X28	1	1						
40	1	24190-100001	BALL 5/16, STEEL	1	1						
41	1	24311-000140	O-RING 1A P-14.0	1	1						
42	1	26116-080162	BOLT M 8X 16 PLATED	1	1						
43	1	23881-200002	PLUG 20	1	1						W
		(A=*1981.09) (B=*1981.09)									
44	1	23414-200026	GASKET 20	1	1						W
		(A=*1981.09) (B=*1981.09)									

Fig. 53 FRONT DRIVE (FOR YM276D)

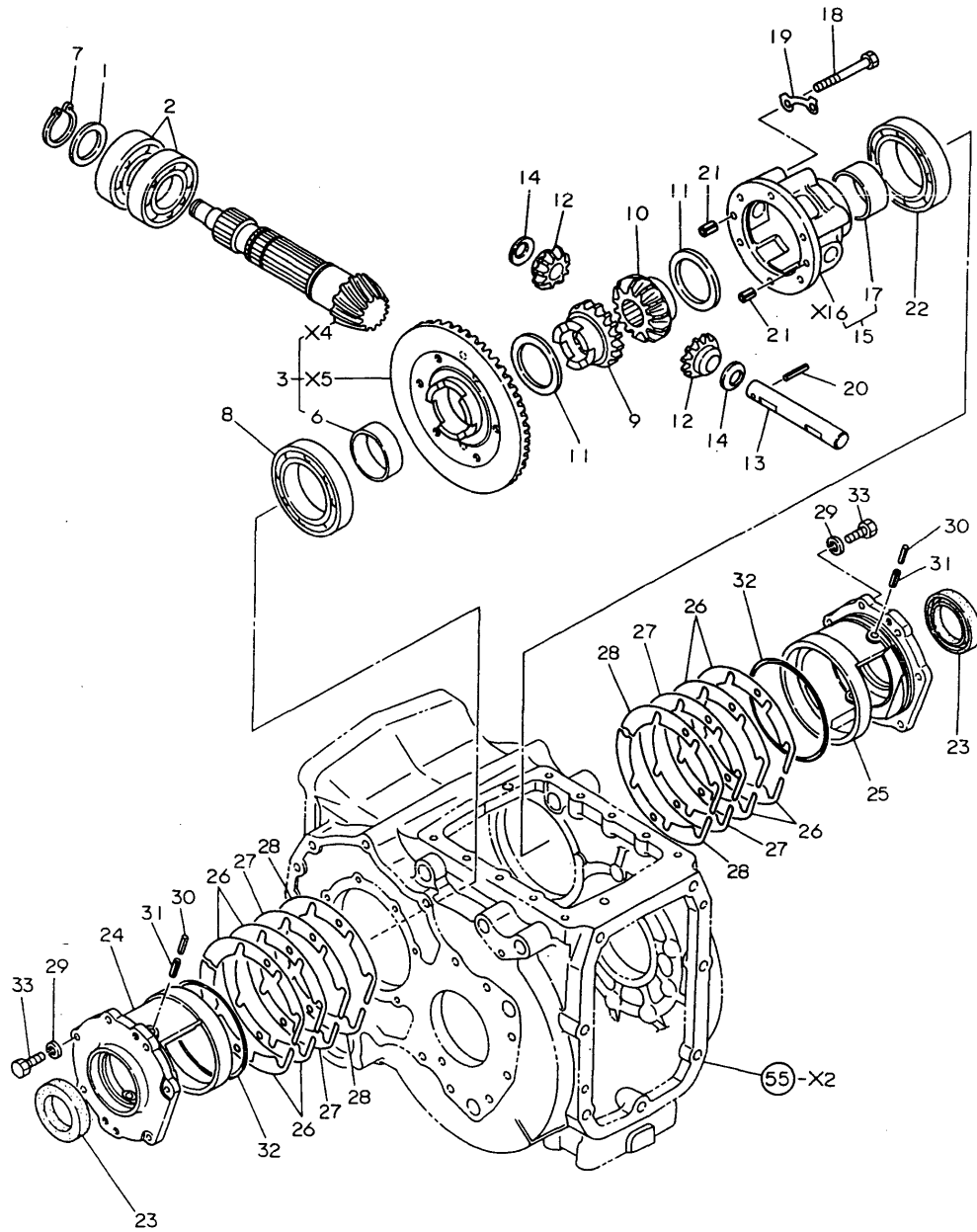


Y00T2321 53. FRONT DRIVE (FOR YM276D)

(A)=YM276 (D)=  
 (B)=YM276D (E)=  
 (C)= (F)=

REF.	LEV.	PARTS NO.	DESCRIPTION	QTY						I	R
				(A)	(B)	(C)	(D)	(E)	(F)		
1	1	1C6140-15870	LINER 20.2X28X2		1						
2	1	194151-24770	PLUG 14, OIL		1						
2-1	1	23491-140002	PLUG 14		1						N
(B=T/# 41534)											
3	1	194171-28110-X	HOUSING, FRONT DRIVE		1						
4	1	194171-28150	SHAFT, FRONT IDLE		1						
5	1	194171-28160	GEAR, FRONT IDLE		1						
6	1	194171-28210	SHAFT, FRONT DRIVE		1						
7	1	194171-28220	GEAR, FRONT DRIVE		1						
8	1	194171-28230	COLLAR 25X32X19.6		1						
9	1	194311-28230	SPRING 21.2		1						
10	1	194171-28240	SLIDER		1						
11	1	194171-28250	COLLAR 25X30X20		1						
12	1	194311-28311	ARM, FRONT SHIFT		1						
13	1	194311-28320	PLATE, KEEP		1						
14	1	194171-28330-X	LEVER, FRONT SHIFT		1						
14-1	1	194171-28331-X	LEVER, FRONT SHIFT		1						N
(B=T/# 40273)											
15	1	194191-28451	BLOCK, FRONT SHIFT		1						
16	1	194191-28480	KNOB		1						
17	1	194191-28540	WASHER 25X38X 2.5		1						
18	1	1A1040-28820	SEAL TC30 52 8, OIL		1						
18-1	1	24421-305208	SEAL TC30 52 08, OIL		1						N
(B=T/# 41311)											
19	1	1E6190-54080	SLEEVE SI25X30X13		1						
20	1	22217-080000	SPRING WASHER 8		1						
21	1	22217-100000	SPRING WASHER 10		4						
22	1	22252-000470	CIRCLIP 47		1						
23	1	22252-000520	CIRCLIP 52		2						
24	1	22312-100140	PARALLEL PIN 10X14		2						
25	1	22351-060025	SPRING PIN 6X25		1						
26	1	22351-060040	SPRING PIN 6X40		1						
27	1	24101-062044	BALL BEARING		2						
28	1	24101-062054	BEARING #6205		2						
29	1	24190-080001	BALL 1/4, STEEL		2						
30	1	24311-000110	O-RING 1A P-11.0		1						
31	1	24311-000160	O-RING 1A P-16.0		1						
32	1	24311-000210	O-RING 1A P-21.0		1						
33	1	24321-001250	O-RING 1A G125.0		1						
34	1	26116-080162	BOLT M 8X 16 PLATED		1						
35	1	26116-100252	BOLT M10X 25 PLATED		4						
36	1	27260-520000	COVER 52, BLIND		1						
37	1	194171-28260	PINION, FRONT DRIVE		1						
38	1	22242-000350	CIRCLIP 35		2						

Fig. 54 DIFFERENTIAL GEARS OF REAR AXLE

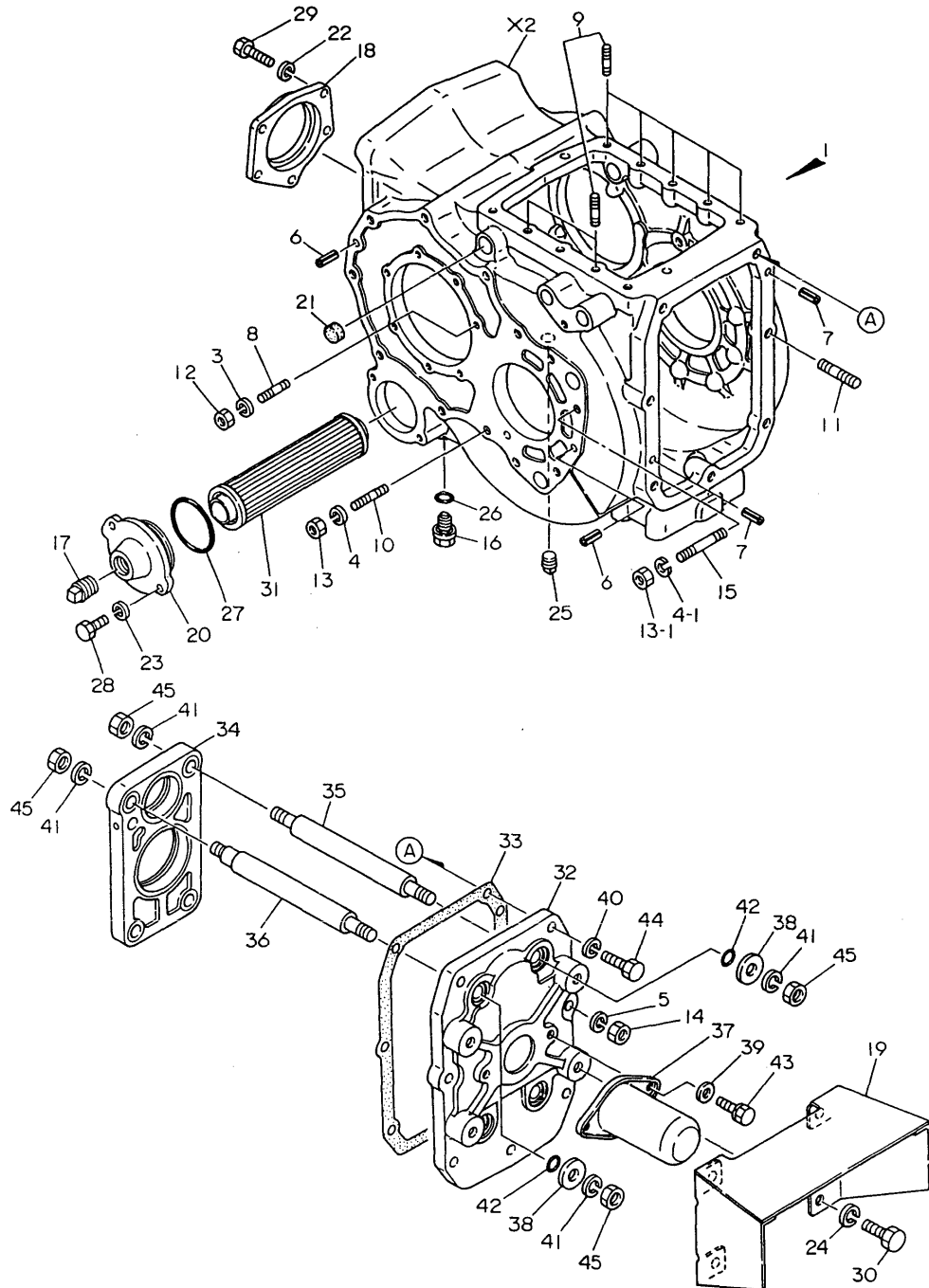


Y00T2321 54. DIFFERENTIAL GEARS

(A)=YM276 (D)=  
 (B)=YM276D (E)=  
 (C)= (F)=

REF.	LEV.	PARTS NO.	DESCRIPTION	QTY						I	R
				(A)	(B)	(C)	(D)	(E)	(F)		
1	1	194312-25390	SPACER 40X50X4	1	1						
2	1	194312-25810	BALL BEARING	2	2						
3	1	194170-31300	GEAR W/COUNTERSHAFT	1	1						
6	2	194310-32150	BUSH 48X50.5X14	1	1						
7	1	22242-000400	CIRCLIP 40	1	1						
8	1	24101-060134	BALL BEARING	1	1						
9	1	194310-31500	GEAR, DIFFERENTIAL	1	1						
10	1	194310-31510	GEAR, DIFFERENTIAL	1	1						
11	1	194310-31550	WASHER, DIFFERENTIAL	2	2						
12	1	194310-31800	PINION, DIFFERENTIAL	2	2						
13	1	194310-31830	SHAFT, DIFFERENTIAL	1	1						
14	1	194310-31850	WASHER, DIFFERENTIAL	2	2						
15	1	194310-32100	HOUSING ASSY, DIFF.	1	1						
17	2	194310-32150	BUSH 48X50.5X14	1	1						
18	1	194310-32170	BOLT M10X70	6	6						
19	1	194310-32210	RETAINER B	3	3						
20	1	22351-050028	SPRING PIN 5X28	1	1						
21	1	22351-100018	SPRING PIN 10X18	2	2						
22	1	24101-060134	BALL BEARING	1	1						
23	1	194080-09350	SEAL TC45689, OIL	2	2						
24	1	194312-32300-X	CARRIER,DIFFERENTIAL	1	1						
25	1	194312-32310-X	CARRIER,DIFFERENTIAL	1	1						
26	1	194312-32330	SHIM T=0.1	8	8						1
27	1	194312-32340	SHIM T=0.3	4	4						1
28	1	194312-32350	SHIM T=0.5	4	4						1
29	1	22217-080000	SPRING WASHER 8	10	10						
30	1	22351-035020	SPRING PIN 3.5X20	4	4						
31	1	22351-060020	SPRING PIN 6X20	4	4						
32	1	24321-001050	O-RING 1A G-105.0	2	2						
33	1	26116-080252	BOLT M 8X 25 PLATED	10	10						

Fig. 55 REAR AXLE HOUSING (1)



Y00T2321 55. REAR AXLE HOUSING (1)

(A)=YM276 (D)=  
 (B)=YM276D (E)=  
 (C)= (F)=

REF.	LEV.	PARTS NO.	DESCRIPTION	QTY						I	R
				(A)	(B)	(C)	(D)	(E)	(F)		
1	1	194170-24300-X	CASE ASSY, REAR AXLE	1	1						
1-1	1	194170-24301 (A=T/# 20590)	CASE ASSY, REAR AXLE (B=T/# 41420)	1	1						N
3	2	22217-080000	SPRING WASHER 8	4	4						
4	2	22217-100000	SPRING WASHER 10	4	4						
4-1	2	22217-100000	SPRING WASHER 10	8	8						K
5	2	22217-120000	WASHER 12,SPRING	4	4						
6	2	22351-100020	SPRING PIN 10X20	4	4						
7	2	22351-100020	SPRING PIN 10X20	2	2						
8	2	26216-080222	STUD M 8X 22 PLATED	4	4						
9	2	26216-100302	STUD BOLT	6	6						
9-1	2	26216-100322 (A=T/# 20101)	STUD M10X 32 PLATED (B=T/# 40101)	6	6						N
9-2	2	26216-100322	STUD M10X 32 PLATED	7	7						K
10	2	26216-100302	STUD BOLT	4	4						
11	2	26216-120352	STUD M12X 35 PLATED	4	4						
12	2	26716-080002	NUT M 8	4	4						
13	2	26716-100002	NUT M10	4	4						
13-1	2	26716-100002	NUT M10	8	8						K
14	2	26716-120002	NUT M12	4	4						
15	2	26216-100452	STUD M10X 45 PLATED	4	4						W
16	1	194151-24770	PLUG 14, OIL	1	1						
16-1	1	23491-140002	PLUG 14	1	1						N
17	1	194322-24980	PLUG 1/2-NPT	1	1						
18	1	194312-25900-X	RETAINER, BEARING	1	1						
19	1	194197-26910-X	GUARD, P.T.O. SHAFT	1	1						
19-1	1	194197-26911-X (A=T/# 20134)	GUARD, P.T.O. SHAFT (B=T/# 40175)	1	1						S
20	1	194170-32420-X	COVER, STRAINER	1	1						
21	1	194130-33190	PLUG 20X8	1	1						
22	1	22217-080000	SPRING WASHER 8	5	5						
23	1	22217-080000	SPRING WASHER 8	2	2						
24	1	22217-120000	WASHER 12,SPRING	4	4						
25	1	23871-030000	PLUG PT3/8,SCREW	1	1						
26	1	24311-000160	O-RING 1A P-16.0	1	1						
27	1	24321-000600	O-RING 1A G-60.0	1	1						
28	1	26116-080202	BOLT M 8X 20 PLATED	2	2						
29	1	26116-080252	BOLT M 8X 25 PLATED	5	5						
30	1	26116-120252	BOLT M12X 25 PLATED	4	4						
31	1	194170-24930	STRAINER, OIL	1	1						
32	1	194312-24350-X	COVER, MISSION	1	1						
33	1	194312-24360	GASKET	1	1						
34	1	194312-24371	PLATE, P.T.O.	1	1						
35	1	194170-24380	SUPPORT (A), P.T.O.	3	3						
36	1	194170-24390	SUPPORT (B), P.T.O.	1	1						
37	1	194190-26860-X	COVER, P.T.O. SHAFT	1	1						
38	1	194150-27870	WASHER 16X26X2	4	4						
39	1	22137-080000 (A=FXXXXX) (B=FXXXXX)	WASHER 8, POLISHED	2	2						Z

++ CONTINUE ++

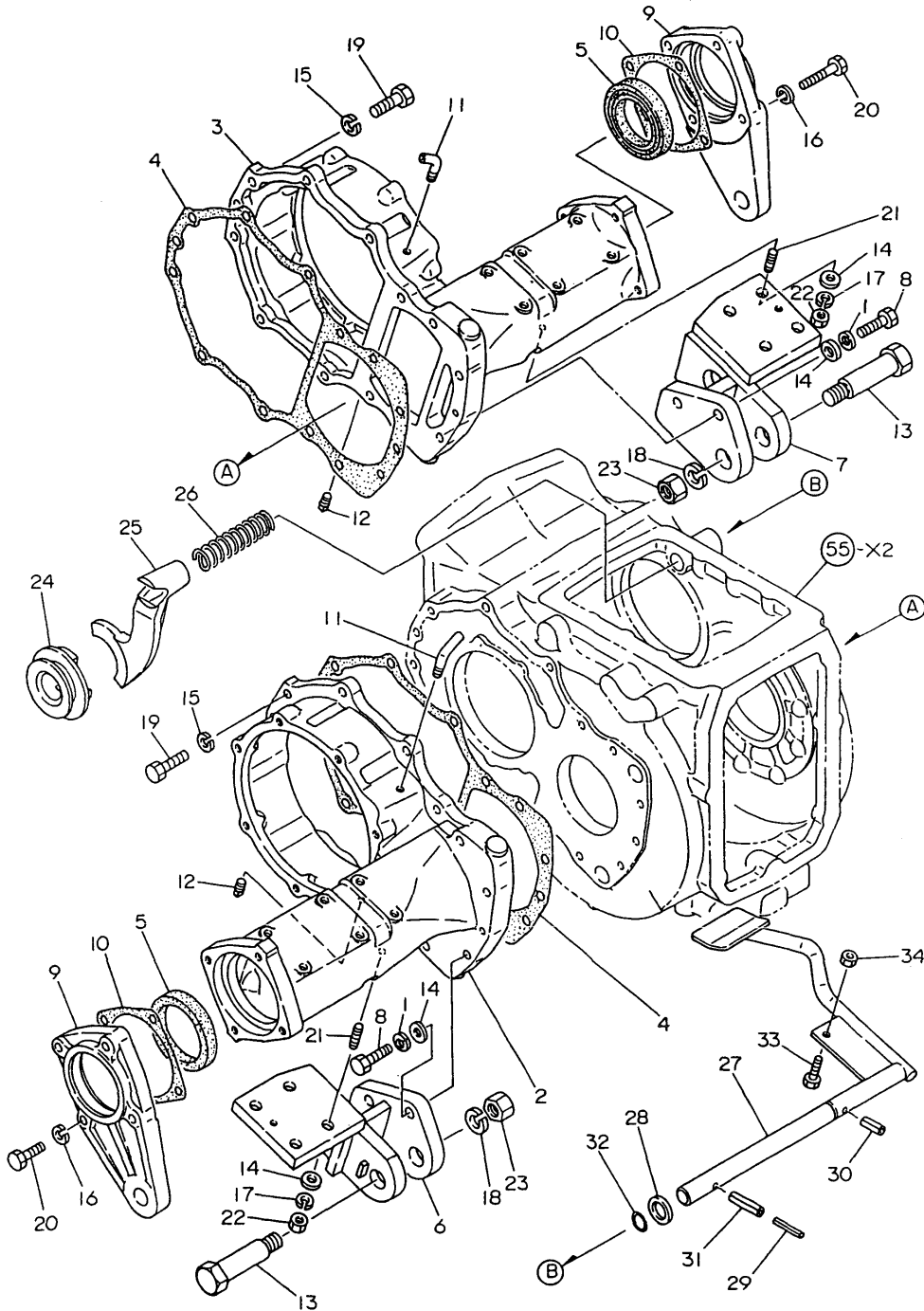




Fig. 57 REAR AXLE HOUSING (2) (SCANDINAVIA)

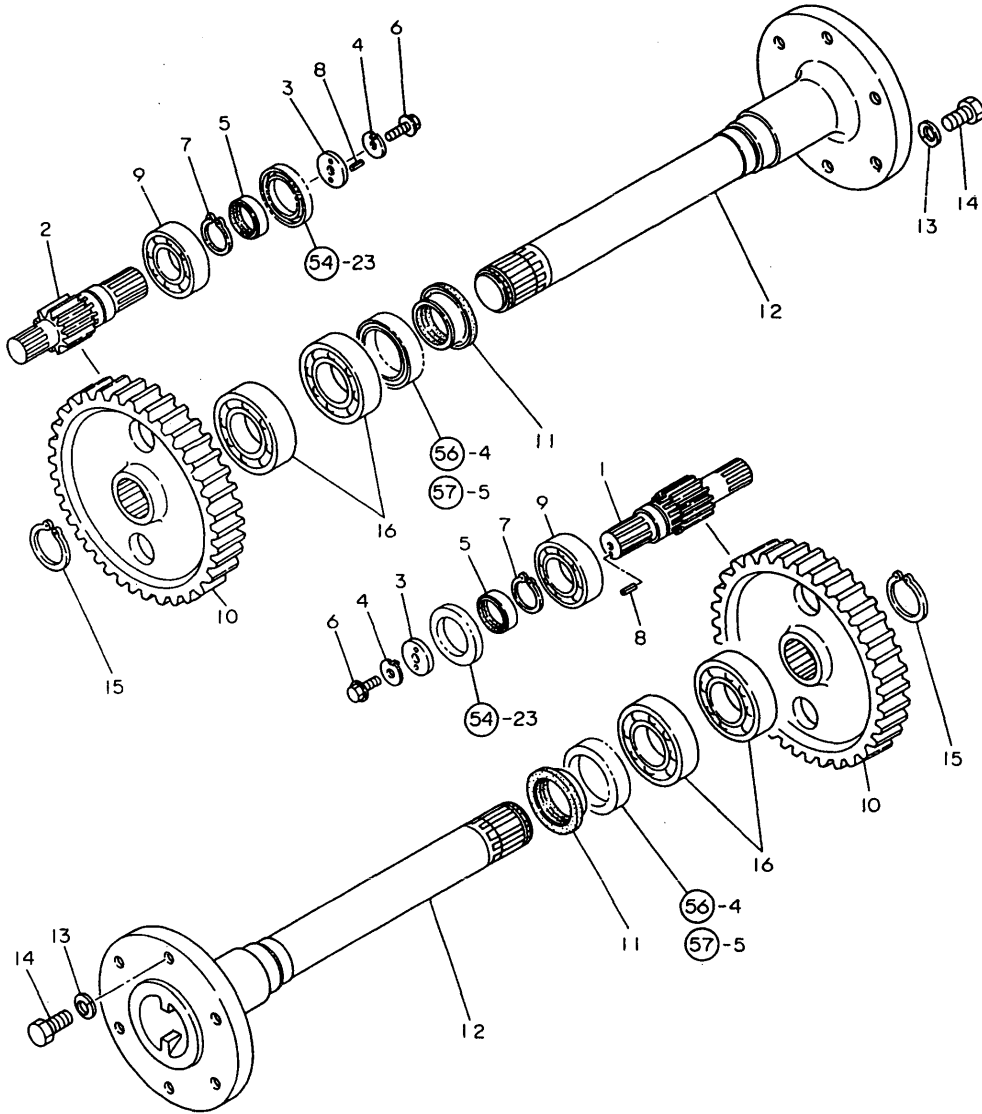
Y00T2321 57. REAR AXLE HOUSING(2)(SCANDINAV

(A)=YM276 (D)=  
 (B)=YM276D (E)=  
 (C)= (F)=



REF.	LEV.	PARTS NO.	DESCRIPTION	QTY						I	R
				(A)	(B)	(C)	(D)	(E)	(F)		
1	1	194274-13570	SPRING WASHER 10	4	4						
2	1	194170-32600-X	HOUSING, REAR AXLE	1	1						
3	1	194170-32610-X	HOUSING, REAR AXLE	1	1						
4	1	194312-32620	PACKING, REAR AXLE	2	2						
5	1	194312-32660	SEAL TC6Y628012, OIL	2	2						
6	1	194170-32821-X	BRACKET, LINK	1	1						
7	1	194170-32831-X	BRACKET, LINK	1	1						
8	1	194170-32850	BOLT M10X 58	4	4						
9	1	194170-34310-X	CASE, OIL SEAL	2	2						
10	1	194312-34340	GASKET	2	2						
11	1	194145-36651	BREATHER, AIR	2	2						
12	1	194151-36670	PLUG PT02	2	2						
13	1	194275-73180	BOLT, LOWER LINK	2	2						
14	1	22137-100000	WASHER 10,POLISHED	12	12						
15	1	22217-100000	SPRING WASHER 10	12	12						
16	1	22217-100000	SPRING WASHER 10	8	8						
17	1	22217-100000	SPRING WASHER 10	8	8						
18	1	22217-160000	SPRING WASHER 16	2	2						
19	1	26116-100302	BOLT M10X 30 PLATED	12	12						
20	1	26116-100402	BOLT M10X 40 PLATED	8	8						
21	1	26216-100302	STUD BOLT	8	8						
22	1	26716-100002	NUT M10	8	8						
23	1	26716-160002	NUT M16	2	2						
24	1	194312-33100	SLIDER, DIFFERENTIAL	1	1						
25	1	194312-33140	FORK, SHIFT	1	1						
26	1	194420-33150	SPRING, RETURN	1	1						
27	1	194170-33160-X	PEDAL, DIFF. LOCK	1	1						
28	1	194300-33200	SPACER 20X32X3.2	1	1						
29	1	22351-050040	SPRING PIN 5X40	1	1						
30	1	22351-080032	SPRING PIN 8X32	1	1						
31	1	22351-080040	SPRING PIN 8X40	1	1						
32	1	24311-000160	O-RING 1A P-16.0	1	1						
33	1	26116-080202	BOLT M 8X 20 PLATED	1	1						
34	1	26716-080002	NUT M 8	1	1						

Fig. 58 REAR AXLE SHAFT



Y00T2321 58. REAR AXLE SHAFT

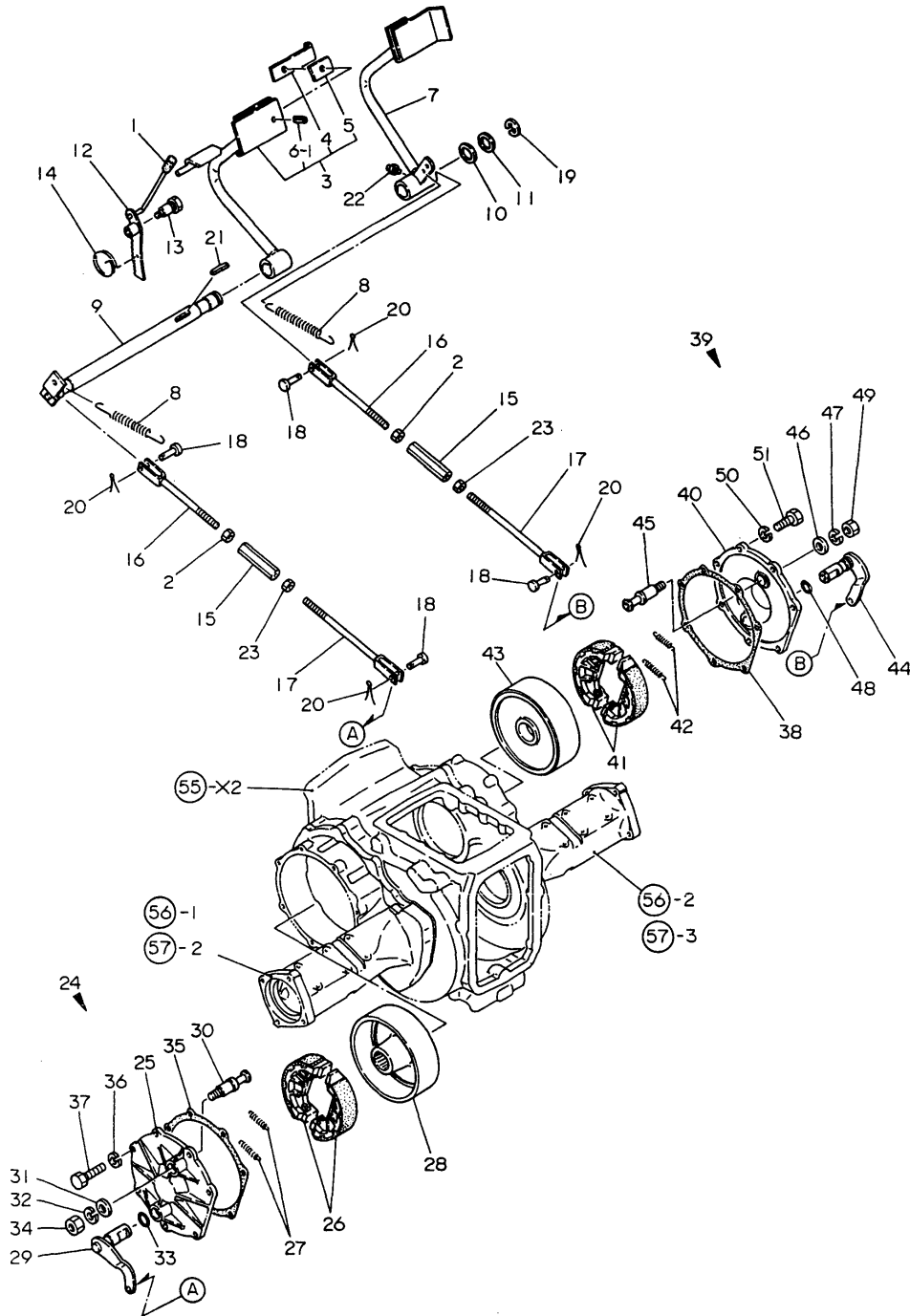
(A)=YM276 (D)=  
 (B)=YM276D (E)=  
 (C)= (F)=

REF.	LEV.	PARTS NO.	DESCRIPTION	QTY						I	R
				(A)	(B)	(C)	(D)	(E)	(F)		
1	1	194312-33400	PINION, FINAL	1	1						
2	1	194312-33410	PINION, FINAL	1	1						
3	1	194130-33430	WASHER 10X40X6	2	2						
4	1	194130-33440	WASHER 10X27	2	2						
5	1	194312-33440	SLEEVE 40X45X12.5	2	2						
6	1	194145-36670	BOLT M10X25	2	2						
7	1	22242-000400	CIRCLIP 40	2	2						
8	1	22351-040014	SPRING PIN 4X14	2	2						
9	1	24104-062084	BALL BEARING	2	2						
9-1	1	24101-062084	BALL BEARING	2	2						N
		(A=T/# 20204) (B=T/# 40421)									
10	1	194312-33500	GEAR, FINAL	2	2						
11	1	194312-32670	SLEEVE 57X62X18	2	2						
12	1	194170-34100-X	SHAFT, REAR AXLE	2	2						
13	1	194280-34170	WASHER 16	12	12						
13-1	1	194065-34170	WASHER 16, LOCK	12	12						N
		(A=T/# 20608) (B=T/# 41534)									
14	1	194322-34180	BOLT M16X 30	12	12						
15	1	22242-000500	CIRCLIP 50	2	2						
16	1	24101-062104	BALL BEARING	4	4						

Fig. 59 BRAKES

Y00T2321 59. BRAKES

(A)=YM276 (D)=  
(B)=YM276D (E)=  
(C)= (F)=

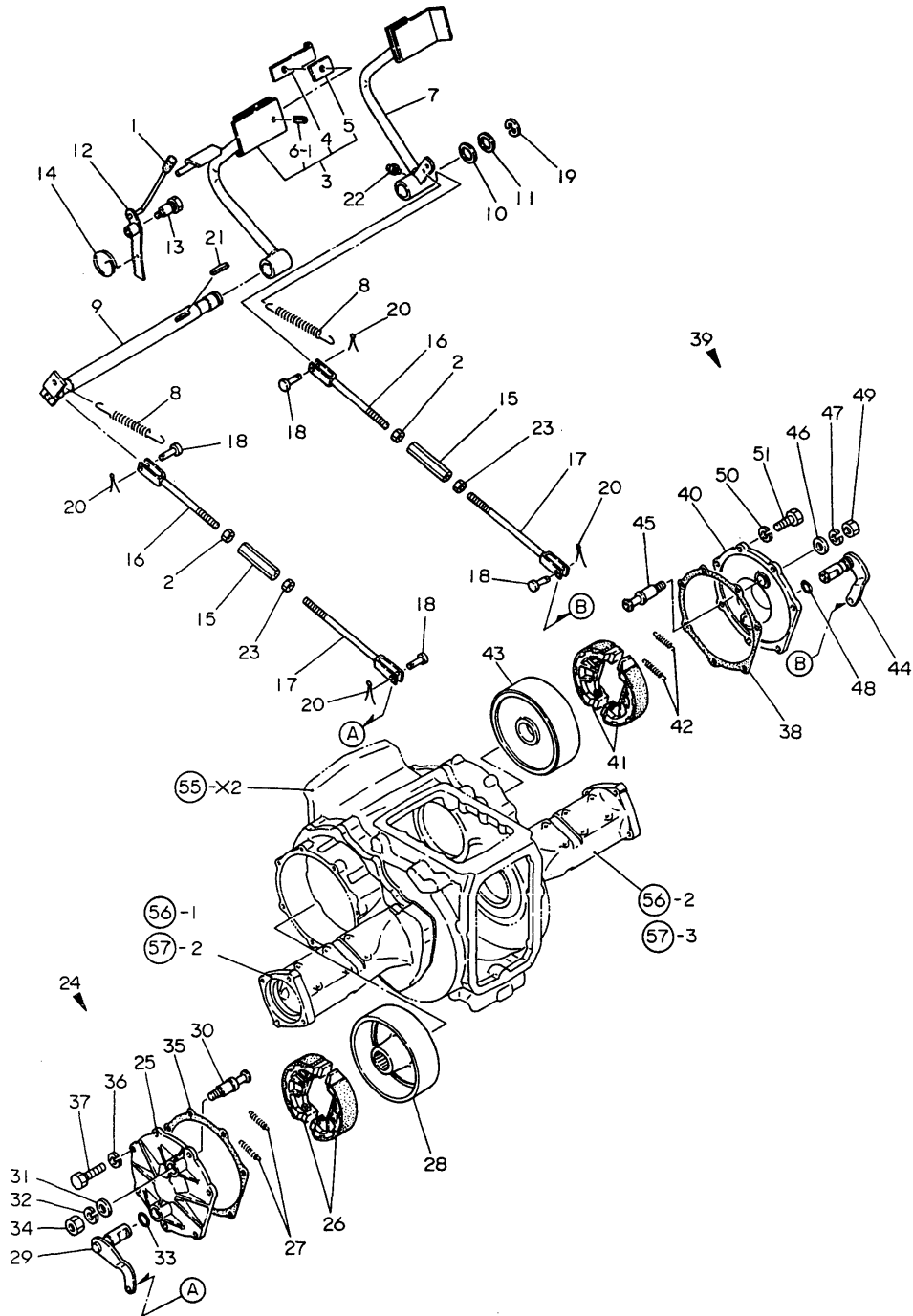


REF.	LEV.	PARTS NO.	DESCRIPTION	QTY						I	R
				(A)	(B)	(C)	(D)	(E)	(F)		
1	1	194150-01190	KNOB, THROTTLE LEVER	1	1						
2	1	194150-22480	NUT M10	2	2						
3	1	194312-37420-X	PEDAL, BRAKE	1	1						
4	2	194145-37540-R	CONNECTOR	1	1						
5	2	194150-37530	SPACER	1	1						
6-1	2	22351-080018	SPRING PIN 8X18	1	1						
7	1	194312-37470-X	PEDAL, BRAKE	1	1						
8	1	194312-37510	SPRING, RETURN	2	2						
9	1	194312-37550-X	SHAFT, BRAKE PEDAL	1	1						
10	1	194130-37560	WASHER	1	1						
11	1	194150-37570	WASHER	1	1						
12	1	194170-37660-X	LEVER, BRAKE LOCK	1	1						
13	1	194420-37670	PIN, ROCK LEVER	1	1						
14	1	194110-37691	SPRING, RETURN	1	1						
15	1	194151-37730	TURNBUCKLE M10X90	2	2						
16	1	194310-37741	ROD, BRAKE	2	2						
17	1	194420-37770	ROD, BRAKE	2	2						
18	1	194080-37781	PIN 8X25	4	4						
19	1	22272-000190	CIRCLIP E-19	1	1						
20	1	22417-200300	COTTER PIN 2.0X30	4	4						
21	1	22512-070400	KEY 7X 40	1	1						
22	1	24761-010000	NIPPLE M6F, GREASE	1	1						
23	1	26716-100002	NUT M10	2	2						
24	1	194312-36301	BRAKE (L) ASSY	1	1						W
(A=*1981.08) (B=*1981.08)											
25	2	194312-36350-X	COVER, BRAKE	1	1						
26	2	194312-36510	SHOE, BRAKE	2	2						
26-1	2	194312-36511	SHOE, BRAKE	2	2						N
(A=*1981.08) (B=*1981.08)											
27	2	194150-36550	SPRING, RETURN	2	2						
28	2	194312-36570	DRUM, BRAKE	1	1						
29	2	194312-36710-X	CAMSHAFT, BRAKE	1	1						
30	2	194312-36730	PIN, ANCHOR	1	1						
31	2	194312-36750	WASHER	1	1						
32	2	22217-160000	SPRING WASHER 16	1	1						
33	2	24341-000200	O-RING 1A S-20.0	1	1						
34	2	26716-160002	NUT M16	1	1						
35	1	194312-36320	GASKET, BRAKE COVER	1	1						
36	1	22217-100000	SPRING WASHER 10	7	7						
37	1	26116-100252	BOLT M10X 25 PLATED	7	7						
38	1	194312-36320	GASKET	1	1						
39	1	194312-36401	BRAKE (R) ASSY	1	1						W
(A=*1981.08) (B=*1981.08)											
40	2	194312-36360-X	COVER, BRAKE	1	1						
41	2	194312-36510	SHOE, BRAKE	2	2						
41-1	2	194312-36511	SHOE, BRAKE	2	2						N
(A=*1981.08) (B=*1981.08)											
42	2	194150-36550	SPRING, RETURN	2	2						
43	2	194312-36570	DRUM, BRAKE	1	1						
44	2	194312-36720-X	CAMSHAFT, BRAKE	1	1						
45	2	194312-36730	PIN, ANCHOR	1	1						
46	2	194312-36750	WASHER	1	1						
47	2	22217-160000	SPRING WASHER 16	1	1						
48	2	24341-000200	O-RING 1A S-20.0	1	1						

++ CONTINUE ++

Fig. 59 BRAKES

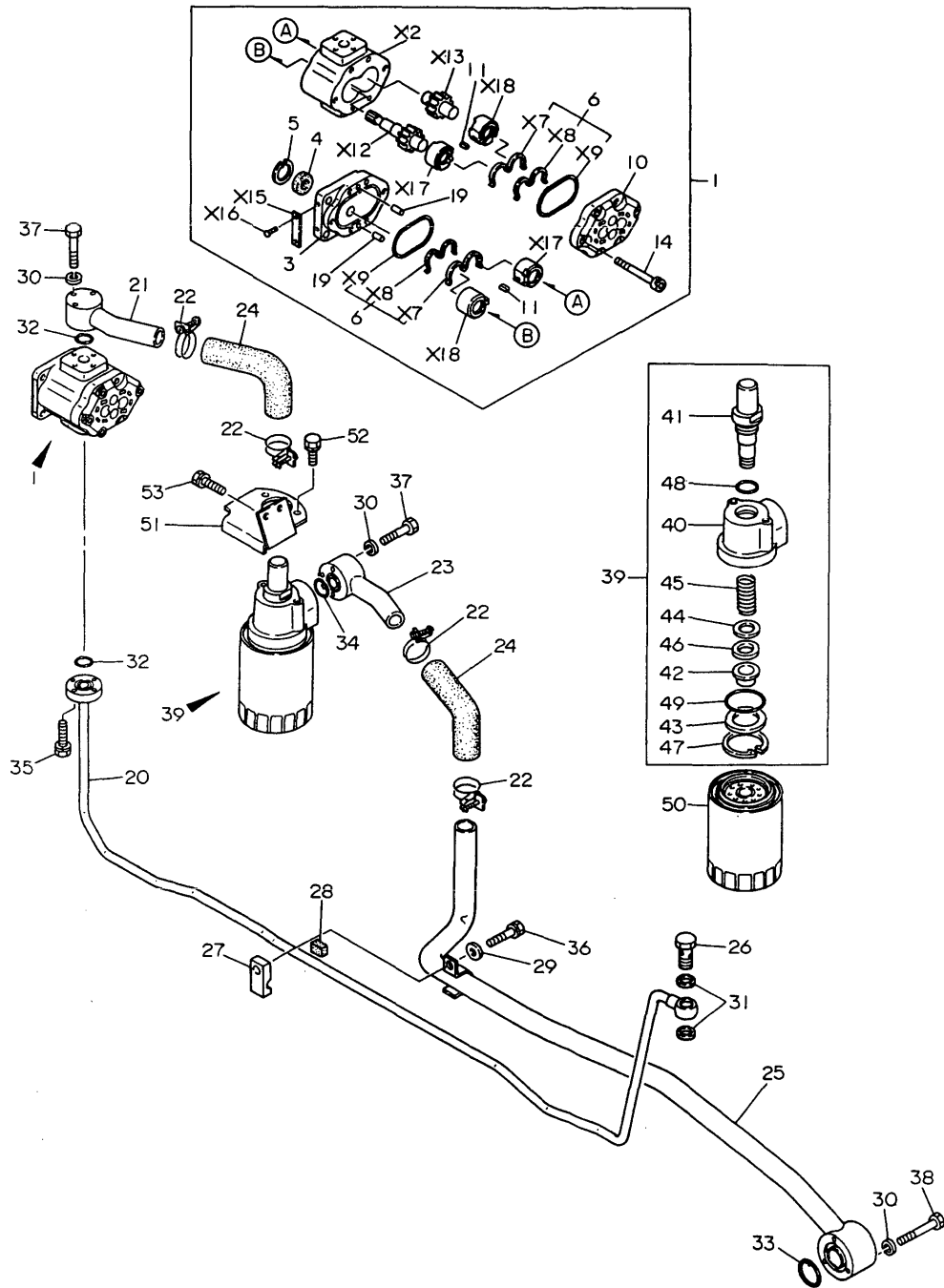
(A)=YM276 (D)=  
 (B)=YM276D (E)=  
 (C)= (F)=



REF.	LEV.	PARTS NO.	DESCRIPTION	QTY						
				(A)	(B)	(C)	(D)	(E)	(F)	
49	2	26716-160002	NUT M16	1	1					
50	1	22217-100000	SPRING WASHER 10	7	7					
51	1	26116-100252	BOLT M10X 25 PLATED	7	7					

Fig. 60 HYDRAULIC PIPES

(A)=YM276 (D)=  
 (B)=YM276D (E)=  
 (C)= (F)=

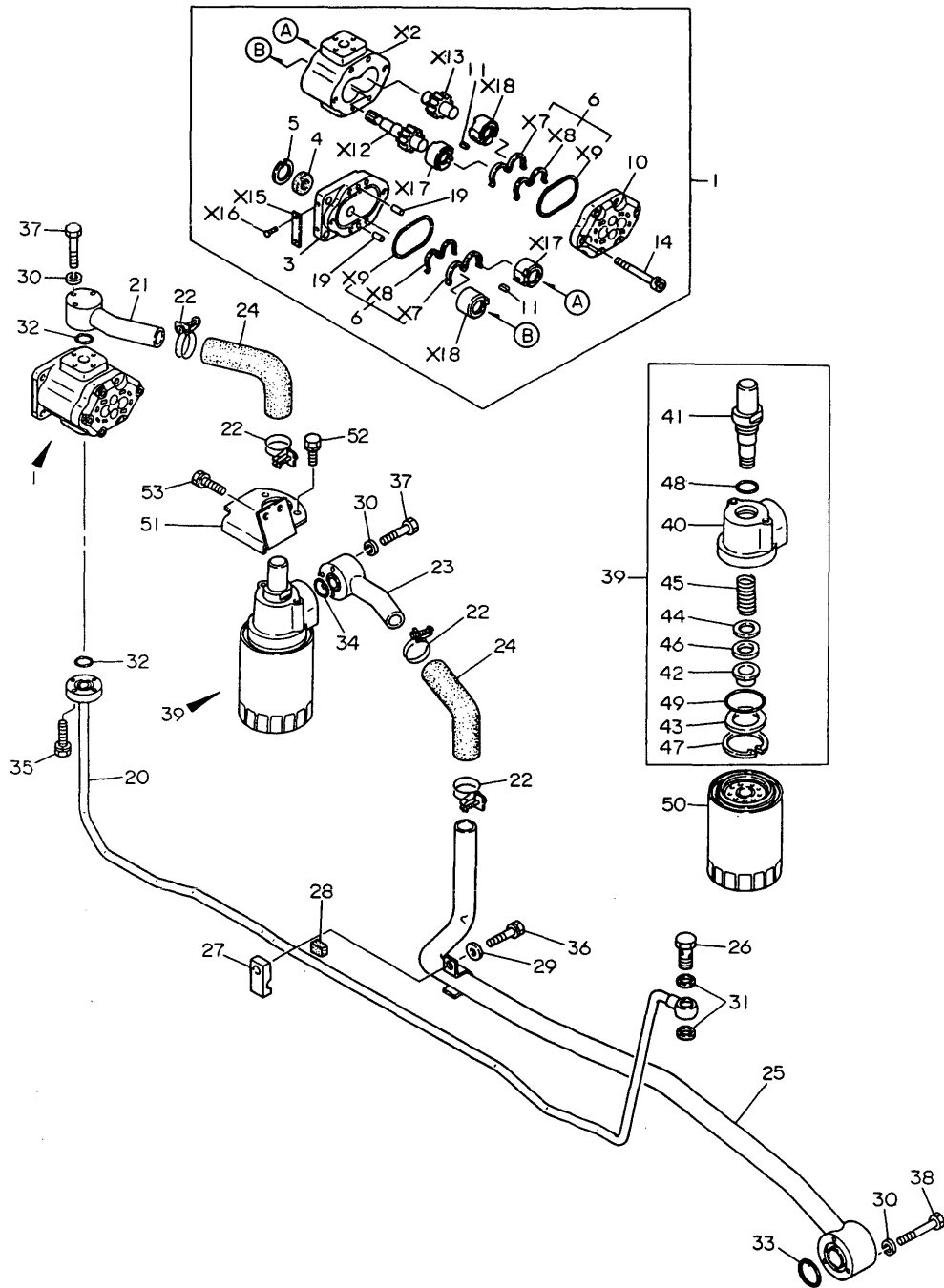


REF.	LEV.	PARTS NO.	DESCRIPTION	QTY						I	R
				(A)	(B)	(C)	(D)	(E)	(F)		
1	1	194170-41120-X	PUMP ASSY, HYDRAULIC	1	1						
3	2	194278-41150-X	FLANGE	1	1						
3-1	2	194278-41151-X	FLANGE	1	1						N
(A=T/# 20553) (B=T/# 41276)											
4	2	194278-41160	SEAL, OIL	1	1						
5	2	22252-000300	CIRCLIP 30	1	1						
6	2	794275-41200	SEAL SET	2	2						
10	2	194278-41190	COVER	1	1						
11	2	194278-41210	KEY, WOODRUFF	2	2						
14	2	194278-41230	BOLT	4	4						
14-1	2	194278-41250	BOLT	4	4						S
(A=T/# 20430) (B=T/# 40844)											
19	2	194065-41210	PARALLEL PIN 6X12	2	2						W
(A=T/# 20553) (B=T/# 41276)											
20	1	194170-48110-X	PIPE, HIGH-PRESSURE	1	1						
21	1	194170-48220-X	PIPE, LOW PRESSURE	1	1						
22	1	194464-48220	CLAMP 37	4	4						
23	1	194170-48240-X	PIPE, LOW PRESSURE	1	1						
24	1	194170-48250	HOSE, LOW PRESSURE	2	2						
25	1	194170-48260-X	PIPE, LOW PRESSURE	1	1						
26	1	194130-48650	BOLT 18, JOINT	1	1						
26-1	1	198220-48750	CONNECTOR ASSY	1	1						N
(A=T/# 20648) (B=T/# 41681)											
27	1	194440-48830	RETAINER	1	1						
28	1	194440-48840	RUBBER	1	1						
29	1	22137-080000	WASHER 8, POLISHED	1	1						
29-1	1	22137-080000	WASHER 8, POLISHED	1	1						Z
(A=T/# 20648) (B=T/# 41690)											
30	1	22217-060000	SPRING WASHER 6	9	9						
30-1	1	22217-060000	SPRING WASHER 6	9	9						Z
(A=T/# 20648) (B=T/# 41690)											
31	1	23414-180023	GASKET 18	2	2						
32	1	24311-000200	O-RING 1A P-20.0	2	2						
33	1	24311-000290	O-RING 1A P-29.0	1	1						
34	1	24311-000220	O-RING 1A P-22.0	1	1						
35	1	26013-060252	BOLT M 6X 25	4	4						
35-1	1	26106-060252	BOLT M 6X 25 PLATED	4	4						N
(A=T/# 20648) (B=T/# 41690)											
36	1	26013-080352	BOLT M 8X 35	1	1						
36-1	1	26106-080352	BOLT M 8X 35 PLATED	1	1						N
(A=T/# 20648) (B=T/# 41690)											
37	1	26116-060452	BOLT M 6X 45 PLATED	6	6						
37-1	1	26106-060452	BOLT M 6X 45 PLATED	6	6						N
(A=T/# 20648) (B=T/# 41690)											
38	1	26116-060552	BOLT M 6X 55 PLATED	3	3						
38-1	1	26106-060552	BOLT M 6X 55 PLATED	3	3						N
(A=T/# 20648) (B=T/# 41690)											
39	1	194464-48300-X	COVER ASSY, FILTER	1	1						
40	2	194464-48322	COVER, FILTER	1	1						
41	2	194464-48331	BOLT, FILTER	1	1						
42	2	194464-48341	COLLAR, SEAL	1	1						
43	2	194464-48351	SPACER 56	1	1						
44	2	194464-48361	WASHER 21.5X35X1.6	1	1						
45	2	194464-48370	SPRING, FILTER	1	1						

++ CONTINUE ++

Fig. 60 HYDRAULIC PIPES

(A)=YM276 (D)=  
 (B)=YM276D (E)=  
 (C)= (F)=

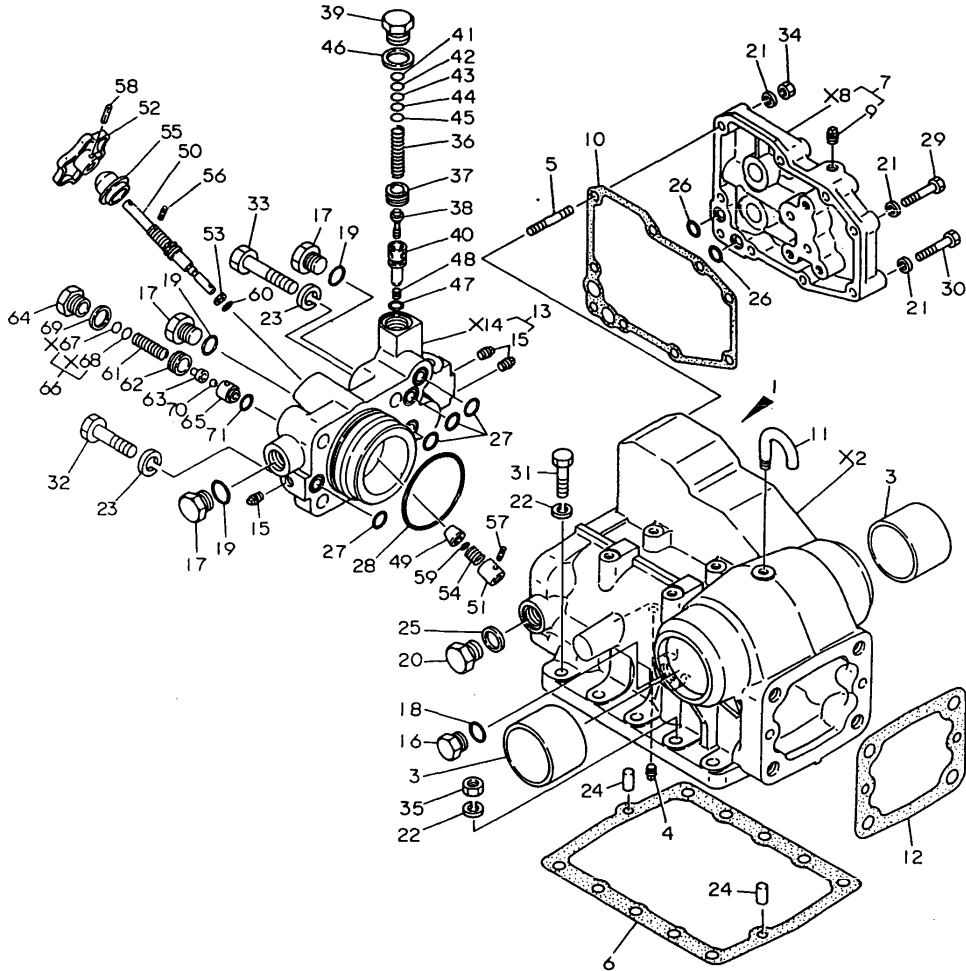


REF.	LEV.	PARTS NO.	DESCRIPTION	QTY						I	R
				(A)	(B)	(C)	(D)	(E)	(F)		
46	2	194464-48390	GASKET	1	1						
47	2	22252-000600	CIRCLIP 60	1	1						
48	2	24311-000280	O-RING 1A P-28.0	1	1						
49	2	24341-000560	O-RING 1A S-56.0	1	1						Z
		(A=FXXXXX) (B=FXXXXX)									
50	1	194464-48310-M	FILTER, HYDRAULIC	1	1						
51	1	194170-48380-X	BRACKET, STRAINER	1	1						
52	1	26014-080222	BOLT M 8X 22	2	2						
52-1	1	26013-080202	BOLT W/WASHER M8X20	2	2						N
		(A=*1982.08) (B=*1982.08)									
52-2	1	26106-080202	BOLT M 8X 20 PLATED	2	2						N
		(A=T/# 20648) (B=T/# 41690)									
53	1	26013-080252	BOLT M 8X 25	2	2						
53-1	1	26106-080252	BOLT M 8X 25 PLATED	2	2						N
		(A=T/# 20648) (B=T/# 41690)									

Fig. 61 HYDRAULIC CYLINDER CASE

Y00T2321 61. HYDRAULIC CYLINDER CASE

(A)=YM276 (D)=  
 (B)=YM276D (E)=  
 (C)= (F)=

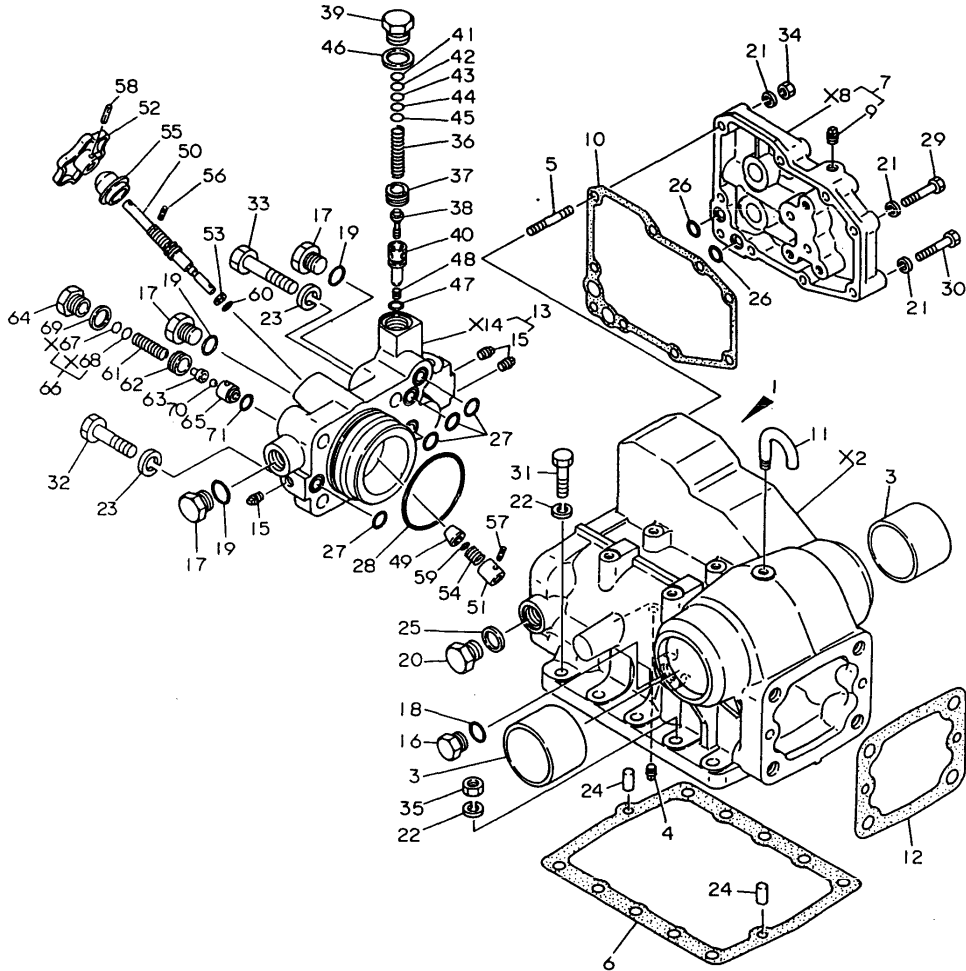


REF.	LEV.	PARTS NO.	DESCRIPTION	QTY						I	R
				(A)	(B)	(C)	(D)	(E)	(F)		
1	1	194170-42100-X	HOUSING, HYDRAULIC	1	1						
3	2	194170-42130	BUSH 55X60X40	2	2						
4	2	23871-010000	PLUG PT1/8,SCREW	1	1						
5	2	26216-080452	STUD M 8X 45 PLATED	2	2						
6	1	194170-42150	GASKET, HOUSING	1	1						
7	1	194170-42200-X	CASE, CYLINDER	1	1						
9	2	23871-010000	PLUG PT1/8,SCREW	4	4						
10	1	194170-42220	GASKET, SIDE CASE	1	1						
11	1	194150-42280	BREATHER, AIR	1	1						
12	1	194151-42831	GASKET, HINGE	1	1						
13	1	194170-43200-X	HEAD ASSY, CYLINDER	1	1						
15	2	23871-010000	PLUG PT1/8,SCREW	3	3						
16	1	194464-45920	PLUG 3/4-16UNF	1	1						
17	1	194464-45920	PLUG 3/4-16UNF	3	3						
18	1	194464-45930	O-RING 8-1	1	1						
19	1	194464-45930	O-RING 8-1	3	3						
20	1	194130-46750	PLUG 18	1	1						
21	1	22217-080000	SPRING WASHER 8	9	9						
22	1	22217-100000	SPRING WASHER 10	10	10						
23	1	22217-140000	SPRING WASHER 14	4	4						
24	1	22312-100180	PARALLEL PIN 10X 18	2	2						
25	1	23414-180023	GASKET 18	1	1						
26	1	24315-000110	O-RING 1B P-11.0	2	2						
27	1	24315-000140	O-RING 1B P-14.0	4	4						
28	1	24325-000750	O-RING 1B G-75.0	1	1						
29	1	26116-080352	BOLT M 8X 35	1	1						
30	1	26116-080452	BOLT M 8X 45 PLATED	4	4						
31	1	26116-100352	BOLT M10X 35 PLATED	4	4						
31-1	1	26116-100352	BOLT M10X 35 PLATED	3	3						K
		(A=T/# 20304) (B=T/# 40607)									
32	1	26126-140452	BOLT M14X 45 PLATED	2	2						
32-1	1	26116-140452	BOLT M14X 45 PLATED	2	2						N
		(A=T/# 20450) (B=T/# 40907)									
33	1	26126-140652	BOLT M14X 65 PLATED	2	2						
33-1	1	26116-140652	BOLT M14X 65 PLATED	2	2						N
		(A=T/# 20450) (B=T/# 40907)									
34	1	26716-080002	NUT M 8	4	4						
35	1	26716-100002	NUT M10	6	6						
35-1	1	26716-100002	NUT M10	7	7						K
		(A=T/# 20304) (B=T/# 40607)									
36	1	194170-45610	SPRING,RELIEF VALVE	1	1						
37	1	194275-45340	SCREW, VALVE SEAT	1	1						
38	1	194170-45620	HOLDER	1	1						
39	1	194170-45630	PLUG	1	1						
40	1	194170-45600	SEAT	1	1						
41	1	194170-45700	SHIM (T=0.1)	1	1						1
42	1	194170-45710	SHIM (T=0.2)	1	1						1
43	1	194170-45720	SHIM (T=0.3)	1	1						1
44	1	194170-45730	SHIM (T=0.5)	1	1						1
45	1	194170-45740	SHIM (T=1.0)	1	1						1
46	1	23414-200026	GASKET 20	1	1						
47	1	24311-000120	O-RING 1A P 12.0	1	1						
48	1	1E6191-54330	SCREW 7X8	1	1						Z
		(A=FXXXXX) (B=FXXXXX)									

++ CONTINUE ++

Fig. 61 HYDRAULIC CYLINDER CASE

(A)=YM276 (D)=  
 (B)=YM276D (E)=  
 (C)= (F)=



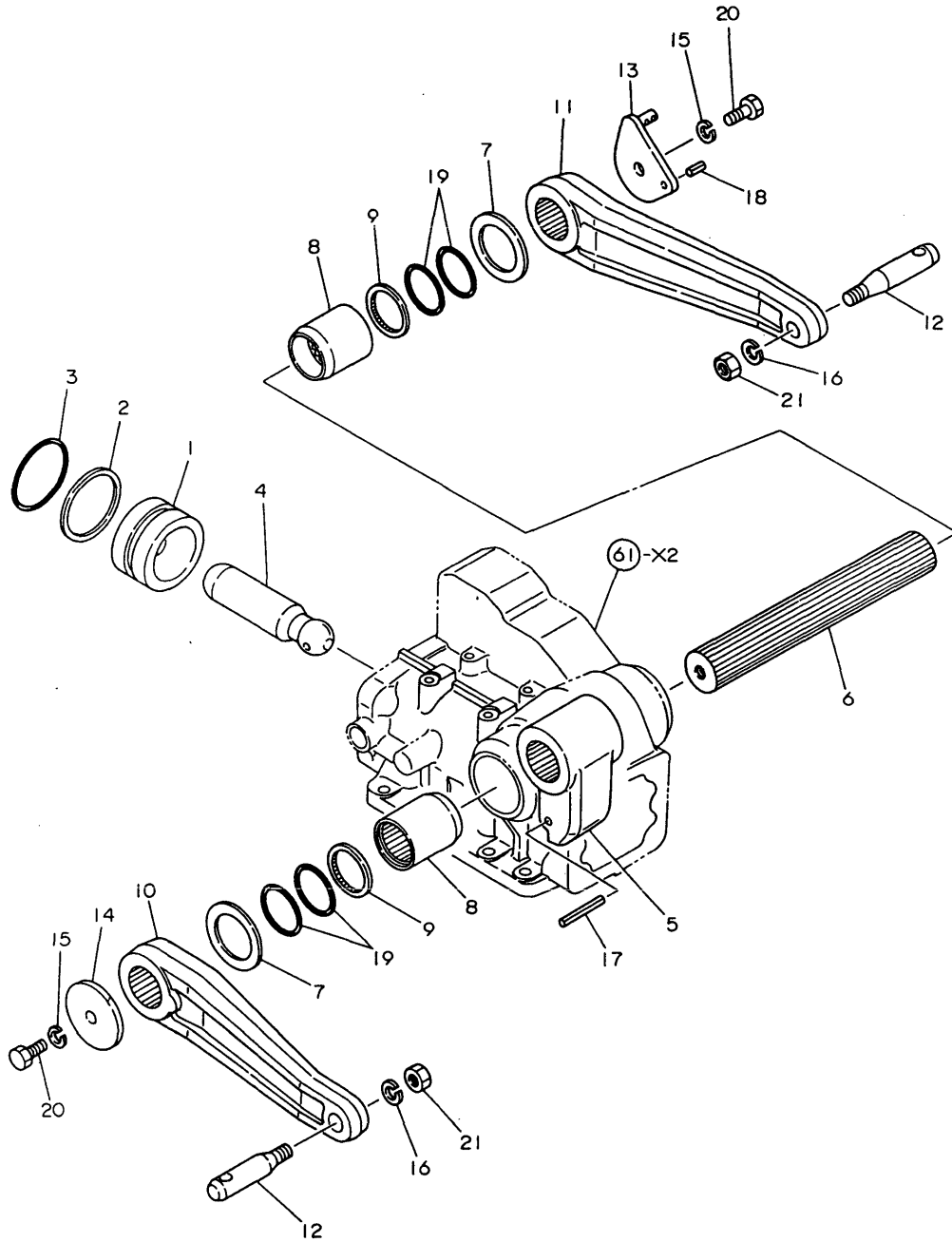
REF.	LEV.	PARTS NO.	DESCRIPTION	QTY						I	R
				(A)	(B)	(C)	(D)	(E)	(F)		
49	1	194170-46300	VALVE, STOP	1	1						
50	1	194170-46620	BOLT, STOP	1	1						
51	1	194170-46630	HOLDER	1	1						
52	1	194151-46640-X	KNOB	1	1						
53	1	194170-46650	RING, BACK-UP	1	1						
53-1	1	194170-46651	RING, BACK UP	1	1						N
		(A=*1981.04) (B=*1981.04)									
54	1	194170-46660	SPRING	1	1						
55	1	194170-46670	CAP	1	1						
56	1	22351-040016	SPRING PIN 4X16	1	1						
57	1	22351-040016	SPRING PIN 4X16	1	1						
58	1	22351-040022	SPRING PIN 4X22	1	1						
59	1	24311-000060	O-RING 1A P-6.0	1	1						
60	1	24311-000090	O-RING 1A P-9.0	1	1						
61	1	194150-45320	SPRING, RELIEF VALVE	1	1						
62	1	194150-45340	SCREW, VALVE SEAT	1	1						
63	1	194150-45361	HOLDER, RELIEF VALVE	1	1						
64	1	194151-45370	PLUG, RELIEF VALVE	1	1						
65	1	194151-46261	SEAT, RELIEF VALVE	1	1						
66	1	110250-53150	SHIM SET	1	1						
69	1	23414-200026	GASKET 20	1	1						
70	1	24190-080003	BALL 1/4	1	1						
71	1	24311-000120	O-RING 1A P 12.0	1	1						



Fig. 62 HYDRAULIC LIFT

Y00T2321 62. HYDRAULIC LIFT

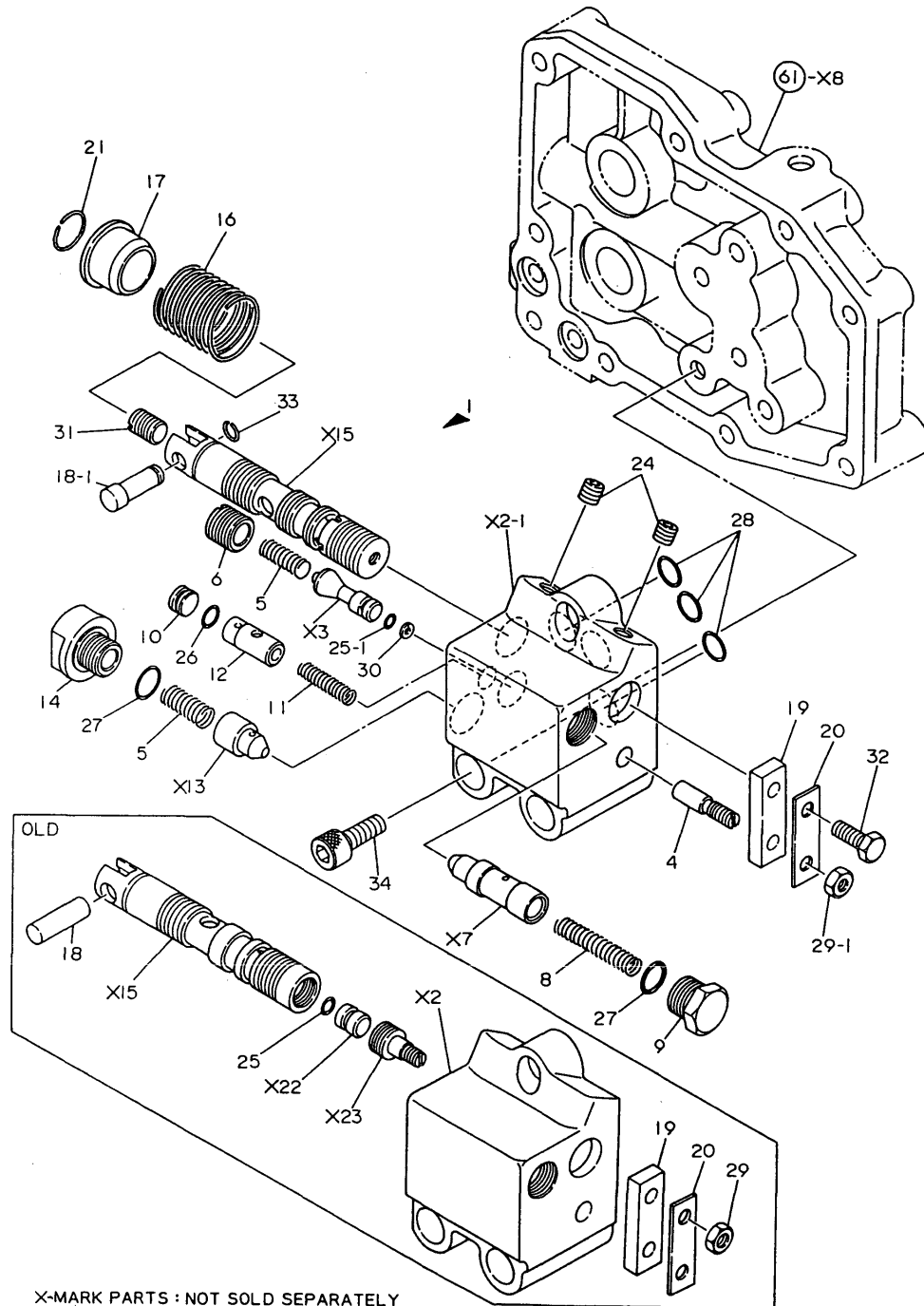
(A)=YM276 (D)=  
 (B)=YM276D (E)=  
 (C)= (F)=



REF.	LEV.	PARTS NO.	DESCRIPTION	QTY						I	R
				(A)	(B)	(C)	(D)	(E)	(F)		
1	1	194170-43310	PISTON, HYDRAULIC	1	1						
2	1	194130-43351	RING P70, BACK UP	1	1						
3	1	24311-000700	O-RING 1A P-70.0	1	1						
4	1	194170-43410	ROD, PISTON	1	1						
5	1	194170-44110	CRANK, LIFT	1	1						
6	1	194170-44210	SHAFT, LIFT	1	1						
7	1	194170-44230	WASHER 45X73X3.2	2	2						
8	1	194170-44250	SLEEVE, LIFT SHAFT	2	2						
9	1	194170-44260	SEAL, SPLINE SHAFT	2	2						
10	1	194170-44420-X	ARM (L), LIFT	1	1						
11	1	194170-44430-X	ARM (R), LIFT	1	1						
12	1	194130-44480	PIN, LIFT ARM	2	2						
13	1	194170-44510	ARM, FEED BACK	1	1						
14	1	194370-44520	RETAINER, LIFT SHAFT	1	1						
15	1	22217-120000	WASHER 12,SPRING	2	2						Z
		(A=*1982.12)	(B=*1982.12)								
16	1	22217-160000	SPRING WASHER 16	2	2						
17	1	22351-050056	SPRING PIN 5X56	1	1						
18	1	22351-060016	SPRING PIN 6X16	1	1						
19	1	24321-000550	O-RING 1A G-55.0	4	4						
20	1	26116-120282	BOLT M12X 28 PLATED	2	2						
20-1	1	26013-120302	BOLT W/WASHER M12X30	2	2						N
		(A=*1982.12)	(B=*1982.12)								
21	1	26736-160002	NUT M16	2	2						

Fig. 63 HYDRAULIC CONTROL VALVE

(A)=YM276 (D)=  
 (B)=YM276D (E)=  
 (C)= (F)=

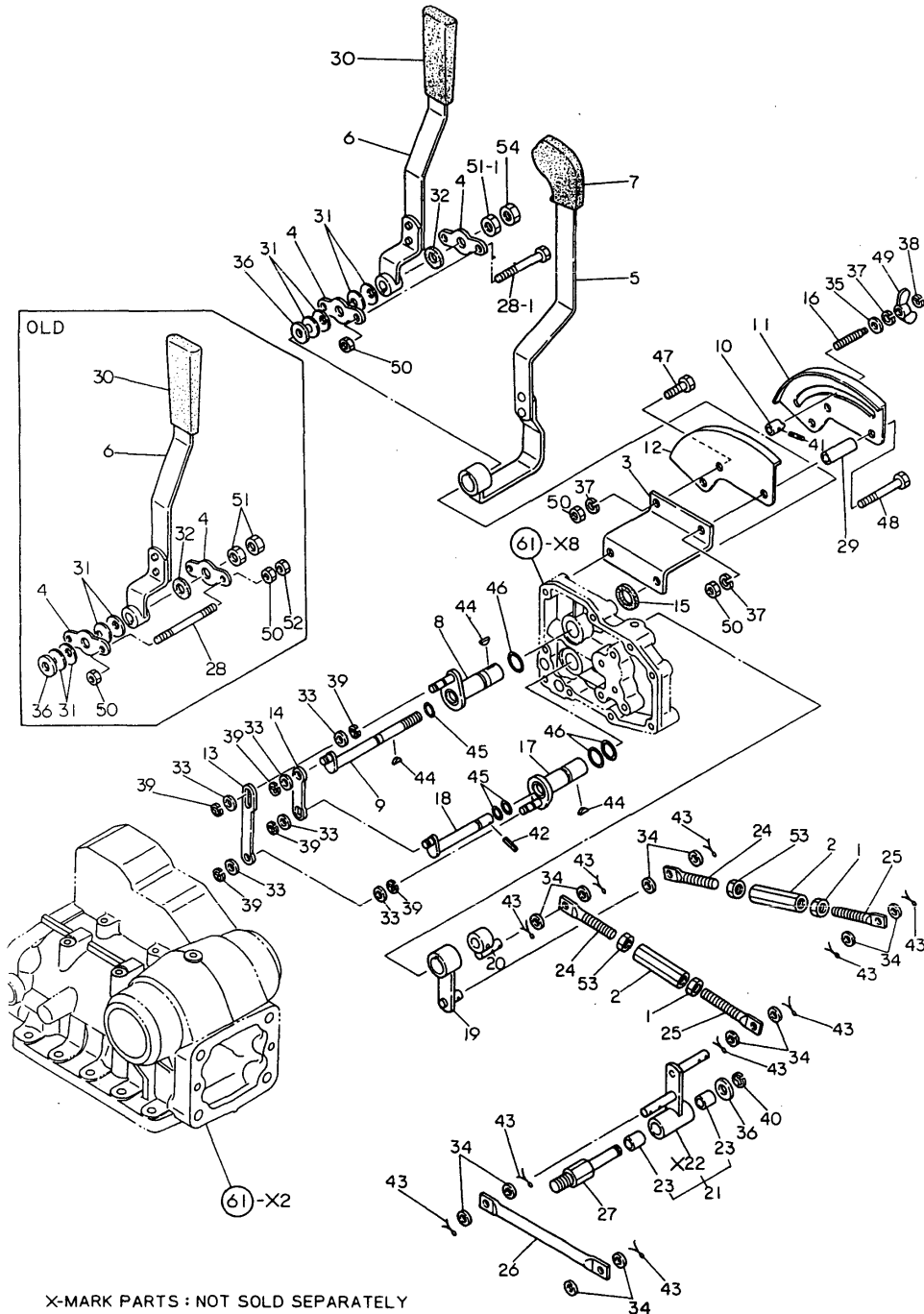


REF.	LEV.	PARTS NO.	DESCRIPTION	QTY						I	R
				(A)	(B)	(C)	(D)	(E)	(F)		
1	1	194170-45100-X	VALVE ASSY, CONTROL	1	1						
1-1	1	194170-45101-X	VALVE ASSY, CONTROL	1	1						N
		(A=T/# 20634) (B=T/# 41642)									
4	2	194170-45220	BAR, PUSH	1	1						
5	2	194170-45230	SPRING	2	2						
6	2	194170-45250	HOLDER, M.CHECK	1	1						
6-1	2	198421-45440	HOLDER, M.CHECK	1	1						S
		(A=T/# 20634) (B=T/# 41642)									
8	2	194170-45320	SPRING	1	1						
8-1	2	194170-45321	SPRING	1	1						N
		(A=T/# 20493) (B=T/# 41003)									
9	2	194170-45330	PLUG	1	1						
10	2	194170-45350	SPOOL	1	1						
11	2	194170-45360	SPRING	1	1						
12	2	194170-45370	PLUG	1	1						
14	2	194170-45440	PLUG	1	1						
16	2	194170-45520	SPRING, SPOOL	1	1						
17	2	194170-45530	STOPPER, SPOOL	1	1						
19	2	194170-45550	BAR, SPOOL	1	1						
20	2	194170-45560	WASHER 12X40X0.6	1	1						
21	2	194170-45570	CIRCLIP	1	1						
24	2	23871-010000	PLUG PT1/8,SCREW	2	2						
25	2	24311-000050	O-RING 1A P-5.0	2	2						
25-1	2	24311-000050	O-RING 1A P-5.0	1	1						K
		(A=T/# 20204) (B=T/# 40475)									
26	2	24315-000070	O-RING 1B P-7.0	1	1						
27	2	24311-000120	O-RING 1A P 12.0	2	2						
28	2	24315-000110	O-RING 1B P-11.0	3	3						
29	2	26756-060002	LOCK NUT M 6 PLATED	2	2						
29-1	2	26756-060002	LOCK NUT M 6 PLATED	1	1						K
		(A=T/# 20204) (B=T/# 40475)									
30	2	194170-45430	RING, BACK UP	1	1						W
		(A=T/# 20101) (B=T/# 40101)									
31	2	194170-45410	PLUG	1	1						W
		(A=T/# 20204) (B=T/# 40475)									
32	2	26116-060142	BOLT M6X14	1	1						W
		(A=T/# 20204) (B=T/# 40475)									
32-1	2	26116-060162	BOLT M 6X 16 PLATED	1	1						N
		(A=*1982.12) (B=*1982.12)									
33	2	177088-06160	CIRCLIP	1	1						W
		(A=T/# 20204) (B=T/# 40475)									
33B	2	24311-000100	O-RING 1A P-10.0	1	1						W
		(A=T/# 20634) (B=T/# 41642)									
33C	2	24311-000140	O-RING 1A P-14.0	1	1						W
		(A=T/# 20634) (B=T/# 41642)									
34	1	26450-080202	BOLT M 8X 20	3	3						

X-MARK PARTS : NOT SOLD SEPARATELY

Fig. 64 OIL PRESSURE CONTROL (STANDARD)

(A)=YM276 (D)=  
 (B)=YM276D (E)=  
 (C)= (F)=



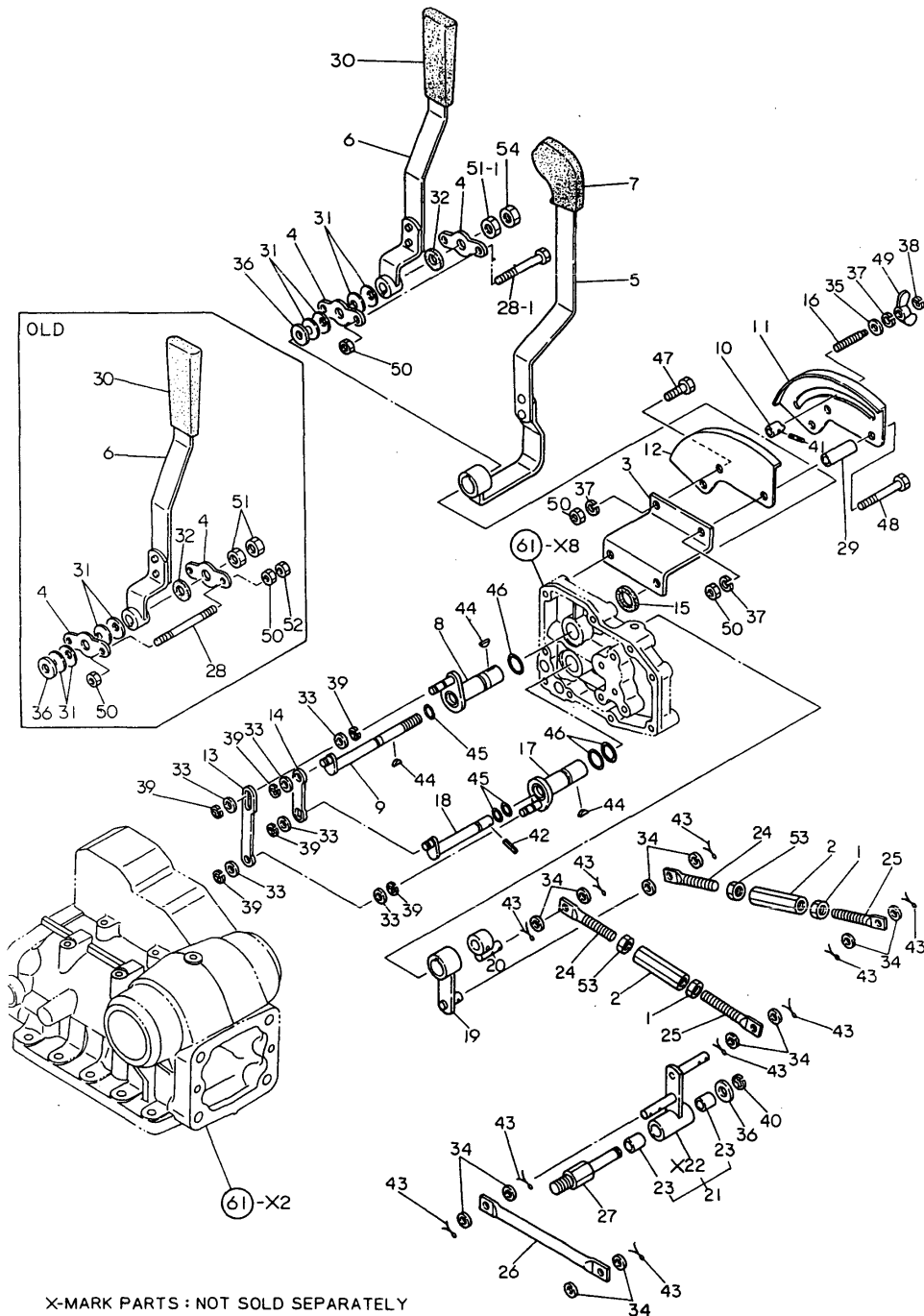
REF.	LEV.	PARTS NO.	DESCRIPTION	QTY						I	R
				(A)	(B)	(C)	(D)	(E)	(F)		
1	1	194150-22480 (A=T/# 20205) (B=T/# 40500)	NUT M10	2	2						Z
2	1	194130-37730	TURNBUCKLE M10X70	2	2						
3	1	194170-47310-X	BRACKET, LEVER GUIDE	1	1						
4	1	194170-47320	PLATE	2	2						
5	1	194170-47360-X	LEVER, CONTROL	1	1						
6	1	194170-47370-X	LEVER, CONTROL	1	1						
7	1	194420-47370	KNOB, CONTROL LEVER	1	1						
8	1	194170-47380	SHAFT, CONTROL LEVER	1	1						
8-1	1	194170-47381 (A=T/# 20204) (B=T/# 40475)	SHAFT, CONTROL LEVER	1	1						N
9	1	194170-47390	SHAFT, CONTROL LEVER	1	1						
10	1	194450-47390	STOPPER	1	1						
11	1	194170-47400-X	GUIDE, CONTROL	1	1						
12	1	194170-47410-X	GUIDE, CONTROL	1	1						
13	1	194170-47420	BAR, CONTROL	1	1						
14	1	194170-47430	BAR, CONTROL	1	1						
15	1	194170-47440	PLATE, FRICTION	1	1						
16	1	194464-47440	BOLT, STOPPER	1	1						
17	1	194170-47450	SHAFT, FEED BACK	1	1						
18	1	194170-47460	SHAFT, FEED BACK	1	1						
19	1	194170-47470-X	ARM, FEED BACK	1	1						
20	1	194170-47480-X	ARM, FEED BACK	1	1						
21	1	194170-47490-X	ARM ASSY, JOINT	1	1						
23	2	24550-012150	BUSH 12X15	2	2						
24	1	194180-47490	ROD, FEED BACK	2	2						
25	1	194180-47500	ROD, FEED BACK	2	2						
26	1	194170-47510	ROD, FEED BACK	1	1						
27	1	194170-47520	BOLT, STUD	1	1						
28	1	194170-47530	BOLT	2	2						
28-1	1	26116-080752 (A=T/# 20179) (B=F40235)	BOLT M 8X 75 PLATED	2	2						S
28-2	1	194550-47810	BOLT 8X 75	2	2						N
29	1	194170-47540 (A=FXXXXX) (B=FXXXXX)	SPACER	2	2						
30	1	194150-47621	KNOB	1	1						
31	1	194151-47760	WASHER 12	4	4						
32	1	194310-44790	PLATE, FRICTION	1	1						
33	1	22117-080000	WASHER 8	6	6						
34	1	22117-100000	WASHER 10	12	12						
35	1	22137-080000	WASHER 8, POLISHED	1	1						
36	1	22137-120000	WASHER 12, POLISHED	2	2						
37	1	22217-080000	SPRING WASHER 8	4	4						
38	1	22272-000040	CIRCLIP E- 4	1	1						
39	1	22272-000060	CIRCLIP E- 6	6	6						
40	1	22272-000090	CIRCLIP E- 9	1	1						
41	1	22351-040014	SPRING PIN 4X14	1	1						
42	1	22351-050025	SPRING PIN 5X25	1	1						
43	1	22417-300200	COTTER PIN 3.0X20	10	10						
44	1	22522-030130	WOODRUFF KEY 3X13	3	3						
45	1	24311-000090	O-RING 1A P-9.0	3	3						
46	1	24311-000150	O-RING 1A P-15.0	3	3						
47	1	26116-080182	BOLT M 8X 18 PLATED	1	1						
47-1	1	26116-080162	BOLT M 8X 16 PLATED	1	1						N

++ CONTINUE ++

X-MARK PARTS : NOT SOLD SEPARATELY

Fig. 64 OIL PRESSURE CONTROL (STANDARD)

(A)=YM276 (D)=  
 (B)=YM276D (E)=  
 (C)= (F)=



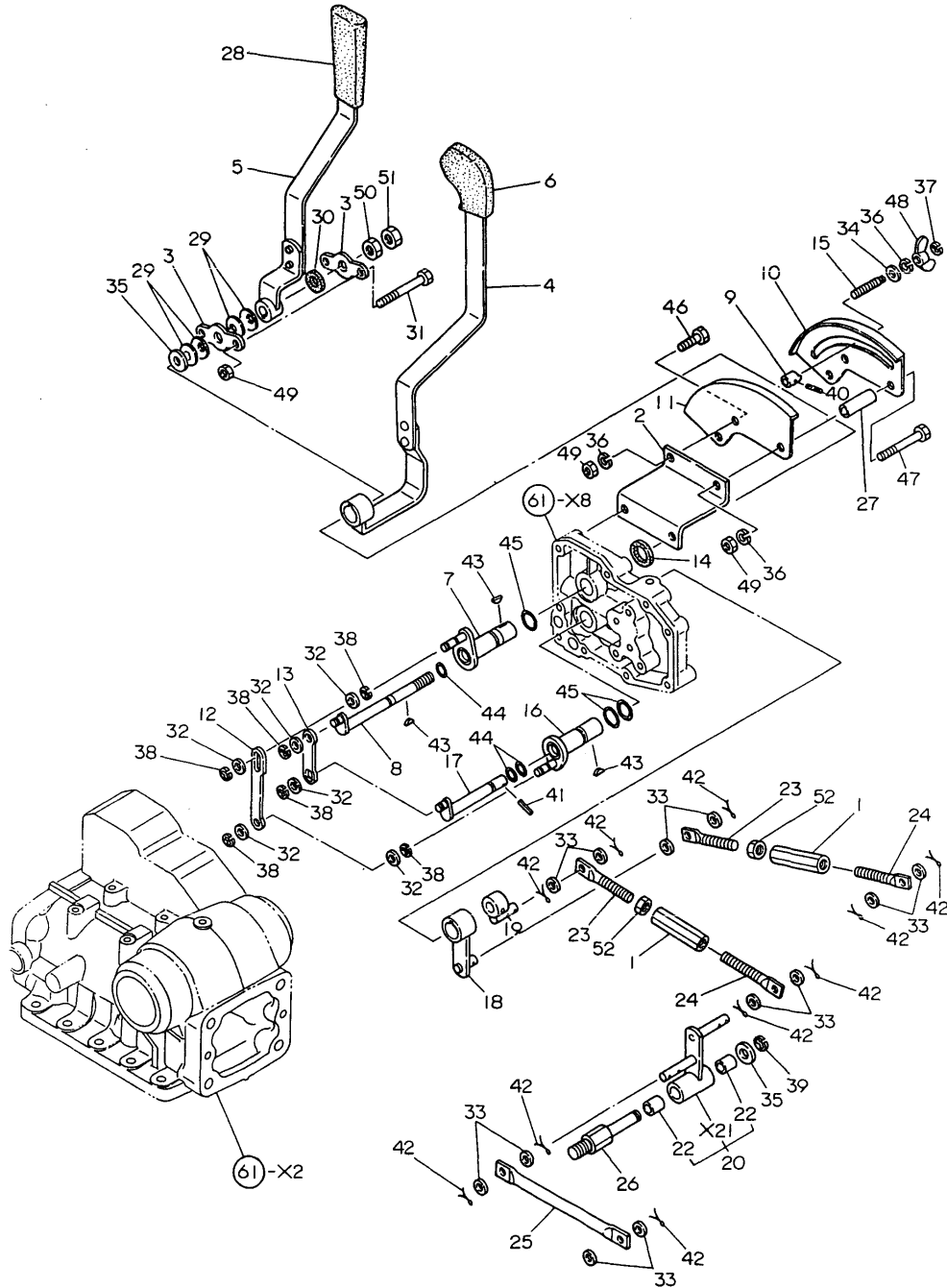
REF.	LEV.	PARTS NO.	DESCRIPTION	QTY						I	R
				(A)	(B)	(C)	(D)	(E)	(F)		
		(A=*1982.12) (B=*1982.12)									
48	1	26116-080602	BOLT M 8X 60 PLATED	2	2						
49	1	26635-080002	WING NUT M 8	1	1						
50	1	26716-080002	NUT M 8	7	7						
50-1	1	26716-080002	NUT M 8	5	5						K
		(A=T/# 20179) (B=T/# 40235)									
51	1	26716-120002	NUT M12	2	2						
51-1	1	26716-120002	NUT M12	1	1						K
		(A=T/# 20179) (B=T/# 40235)									
52	1	26756-080002	LOCK NUT M 8 PLATED	2	2						Z
		(A=T/# 20179) (B=T/# 40235)									
53	1	26756-100002	LOCK NUT M10 PLATED	2	2						
54	1	26726-120002	NUT M12	1	1						W
		(A=T/# 20179) (B=T/# 40235)									
54-1	1	26716-120002	NUT M12	1	1						N
		(A=T/# 20450) (B=T/# 40907)									

X-MARK PARTS : NOT SOLD SEPARATELY

Fig. 65 OIL PRESSURE CONTROL (SCANDINAVIA)

Y00T2321 65. OIL PRESSURE CONTROL(SCANDINAVIA)

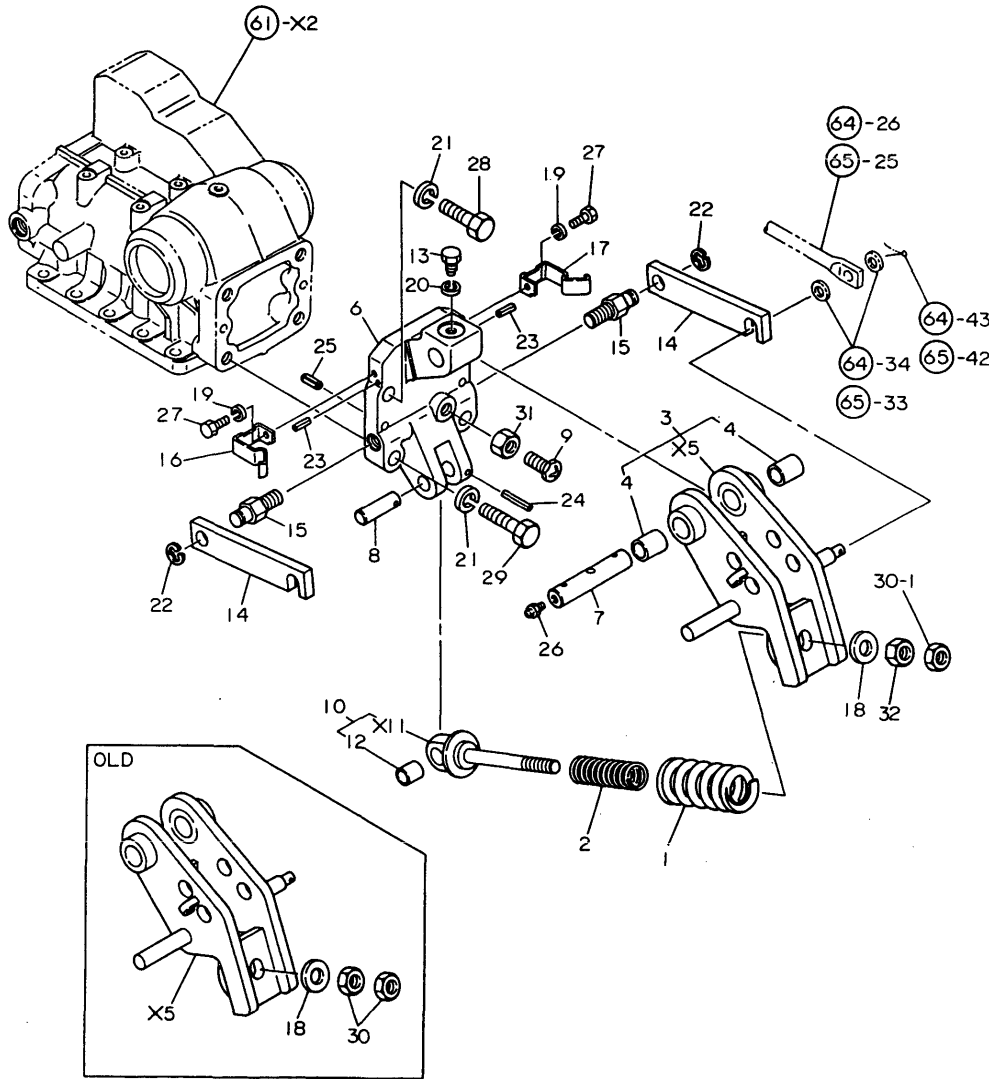
(A)=YM276 (D)=  
 (B)=YM276D (E)=  
 (C)= (F)=



REF.	LEV.	PARTS NO.	DESCRIPTION	QTY						I	R
				(A)	(B)	(C)	(D)	(E)	(F)		
1	1	194130-37730	TURNBUCKLE M10X70	2	2						
2	1	194170-47310-X	BRACKET, LEVER GUIDE	1	1						
3	1	194170-47320	PLATE	2	2						
4	1	194172-47360-X	LEVER, POSITION	1	1						
5	1	194172-47370-X	LEVER, DRAFT	1	1						
6	1	194420-47370	KNOB, CONTROL LEVER	1	1						
7	1	194170-47381	SHAFT, CONTROL LEVER	1	1						
8	1	194170-47390	SHAFT, CONTROL LEVER	1	1						
9	1	194450-47390	STOPPER	1	1						
10	1	194170-47400-X	GUIDE, CONTROL	1	1						
11	1	194170-47410-X	GUIDE, CONTROL	1	1						
12	1	194170-47420	BAR, CONTROL	1	1						
13	1	194170-47430	BAR, CONTROL	1	1						
14	1	194170-47440	PLATE, FRICTION	1	1						
15	1	194464-47440	BOLT, STOPPER	1	1						
16	1	194170-47450	SHAFT, FEED BACK	1	1						
17	1	194170-47460	SHAFT, FEED BACK	1	1						
18	1	194170-47470-X	ARM, FEED BACK	1	1						
19	1	194170-47480-X	ARM, FEED BACK	1	1						
20	1	194170-47490-X	ARM ASSY, JOINT	1	1						
22	2	24550-012150	BUSH 12X15	2	2						
23	1	194180-47490	ROD, FEED BACK	2	2						
24	1	194180-47500	ROD, FEED BACK	2	2						
25	1	194170-47510	ROD, FEED BACK	1	1						
26	1	194170-47520	BOLT, STUD	1	1						
27	1	194170-47540	SPACER	2	2						
28	1	194150-47621	KNOB	1	1						
29	1	194151-47760	WASHER 12	4	4						
30	1	194310-47790	PLATE, FRICTION	1	1						
31	1	194550-47810	BOLT 8X 75	2	2						
32	1	22117-080000	WASHER 8	6	6						
33	1	22117-100000	WASHER 10	12	12						
34	1	22137-080000	WASHER 8, POLISHED	1	1						
35	1	22137-120000	WASHER 12, POLISHED	2	2						
36	1	22217-080000	SPRING WASHER 8	4	4						
37	1	22272-000040	CIRCLIP E- 4	1	1						
38	1	22272-000060	CIRCLIP E- 6	6	6						
39	1	22272-000090	CIRCLIP E- 9	1	1						
40	1	22351-040014	SPRING PIN 4X14	1	1						
41	1	22351-050025	SPRING PIN 5X25	1	1						
42	1	22417-300200	COTTER PIN 3.0X20	10	10						
43	1	22522-030130	WOODRUFF KEY 3X13	3	3						
44	1	24311-000090	O-RING 1A P-9.0	3	3						
45	1	24311-000150	O-RING 1A P-15.0	3	3						
46	1	26116-080162	BOLT M 8X 16 PLATED	1	1						
47	1	26116-080602	BOLT M 8X 60 PLATED	2	2						
48	1	26636-080002	WING NUT M 8	1	1						
49	1	26716-080002	NUT M 8	5	5						
50	1	26716-120002	NUT M12	1	1						
51	1	26716-120002	NUT M12	1	1						
52	1	26756-100002	LOCK NUT M10 PLATED	2	2						

Fig. 66 DRAFT CONTROL

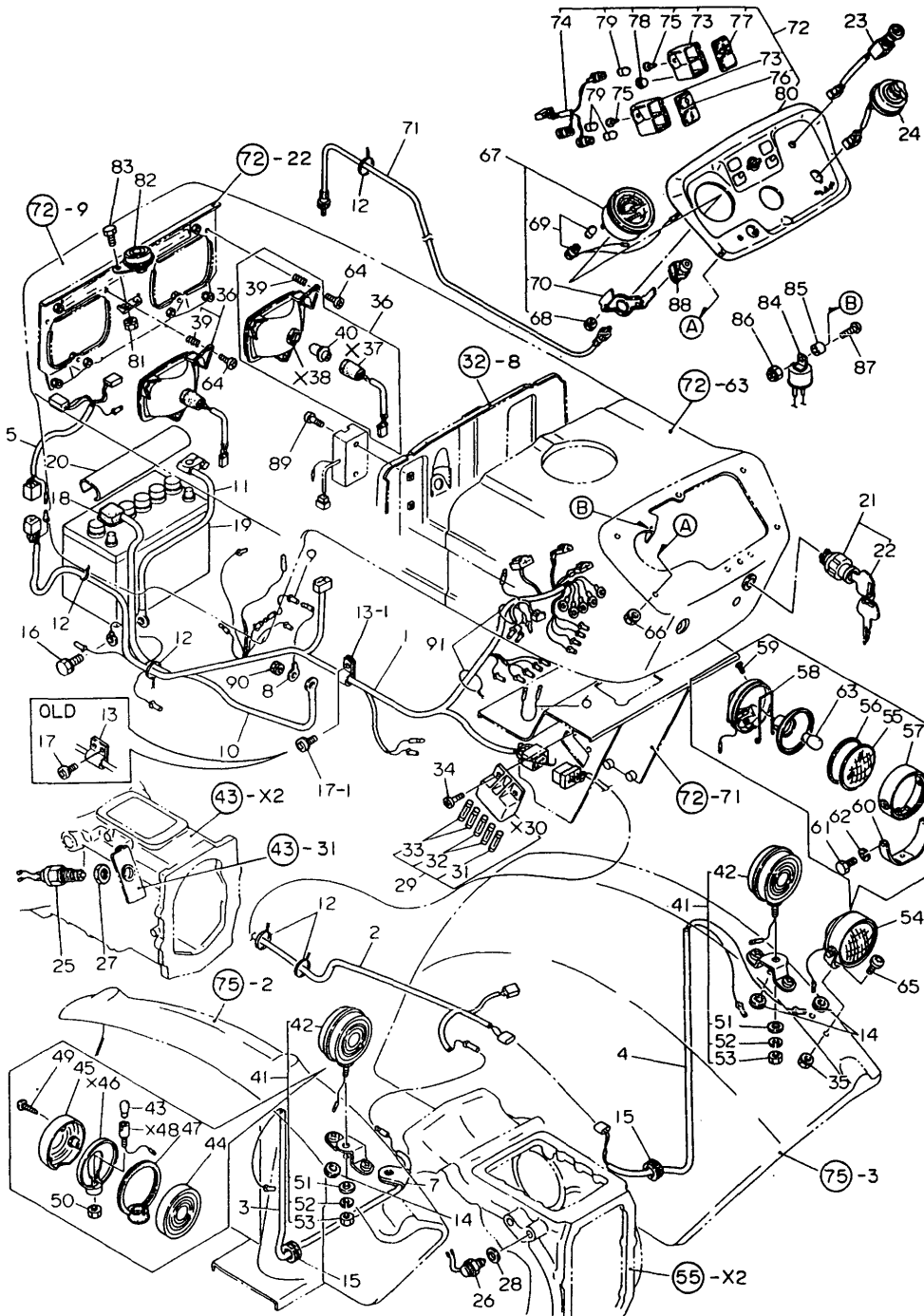
(A)=YM276 (D)=  
 (B)=YM276D (E)=  
 (C)= (F)=



REF.	LEV.	PARTS NO.	DESCRIPTION	QTY						I	R
				(A)	(B)	(C)	(D)	(E)	(F)		
1	1	194170-47710-X	SPRING, SENSING	1	1						
1-1	1	194242-47711 (A=T/# 20590)	SPRING, SENSING (B=T/# 41431)	1	1						N
2	1	194170-47720-X (A=T/# 20590)	SPRING, SENSING (B=T/# 41431)	1	1						Z
3	1	194170-47730-X	HINGE ASSY, TOP LINK	1	1						
4	2	194190-11520	BUSH 25X25	2	2						
6	1	194170-47740-X	COVER	1	1						
7	1	194320-47760	PIN 22	1	1						
8	1	194170-47770	PIN, HINGE	1	1						
9	1	194170-47780	STOPPER	1	1						
10	1	194170-47800	BOLT, SPRING ADJUST.	1	1						
12	2	24550-018200	BUSH 18X20	1	1						
13	1	194320-47860	BOLT	1	1						
14	1	194322-47910-X	BAR, LOCK	2	2						
15	1	194322-47920	BOLT, LOCK	2	2						
16	1	194322-47930-U	SPRING(L), LOCK BAR	1	1						
17	1	194322-47940-U	SPRING(R), LOCK BAR	1	1						
18	1	1A1104-53200	WASHER	1	1						
19	1	22217-060000	SPRING WASHER 6	2	2						
20	1	22217-100000	SPRING WASHER 10	1	1						
21	1	22217-140000	SPRING WASHER 14	4	4						
22	1	22272-000120	CIRCLIP E-12	2	2						
23	1	22351-030012	SPRING PIN 3X12	2	2						
24	1	22351-050036	SPRING PIN 5X36	1	1						
25	1	22351-100020	SPRING PIN 10X20	2	2						
26	1	24761-010000	NIPPLE M6F, GREASE	1	1						
27	1	26116-060082	BOLT M 6X 8 PLATED	2	2						
28	1	26126-140452	BOLT M14X 45 PLATED	2	2						
28-1	1	26116-140452	BOLT M14X 45 PLATED	2	2						N
		(A=T/# 20450)	(B=T/# 40907)								
29	1	26126-140552	BOLT M14X 55 PLATED	2	2						
29-1	1	26116-140552	BOLT M14X 55 PLATED	2	2						N
		(A=T/# 20450)	(B=T/# 40907)								
30	1	26726-140002	NUT M14	2	2						
30-1	1	26726-140002	NUT M14	1	1						K
		(A=FXXXXX)	(B=FXXXXX)								
30-2	1	26716-140002	NUT M14	1	1						N
		(A=T/# 20450)	(B=T/# 40907)								
31	1	26726-140002	NUT M14	1	1						
31-1	1	26716-140002	NUT M14	1	1						N
		(A=T/# 20450)	(B=T/# 40907)								
32	1	26716-140002	NUT M14	1	1						W
		(A=T/# 20450)	(B=T/# 40907)								

Fig. 67 ELECTRIC PARTS (USA & SOUTH AFRICA)

(A)=YM276 (D)=  
 (B)=YM276D (E)=  
 (C)= (F)=



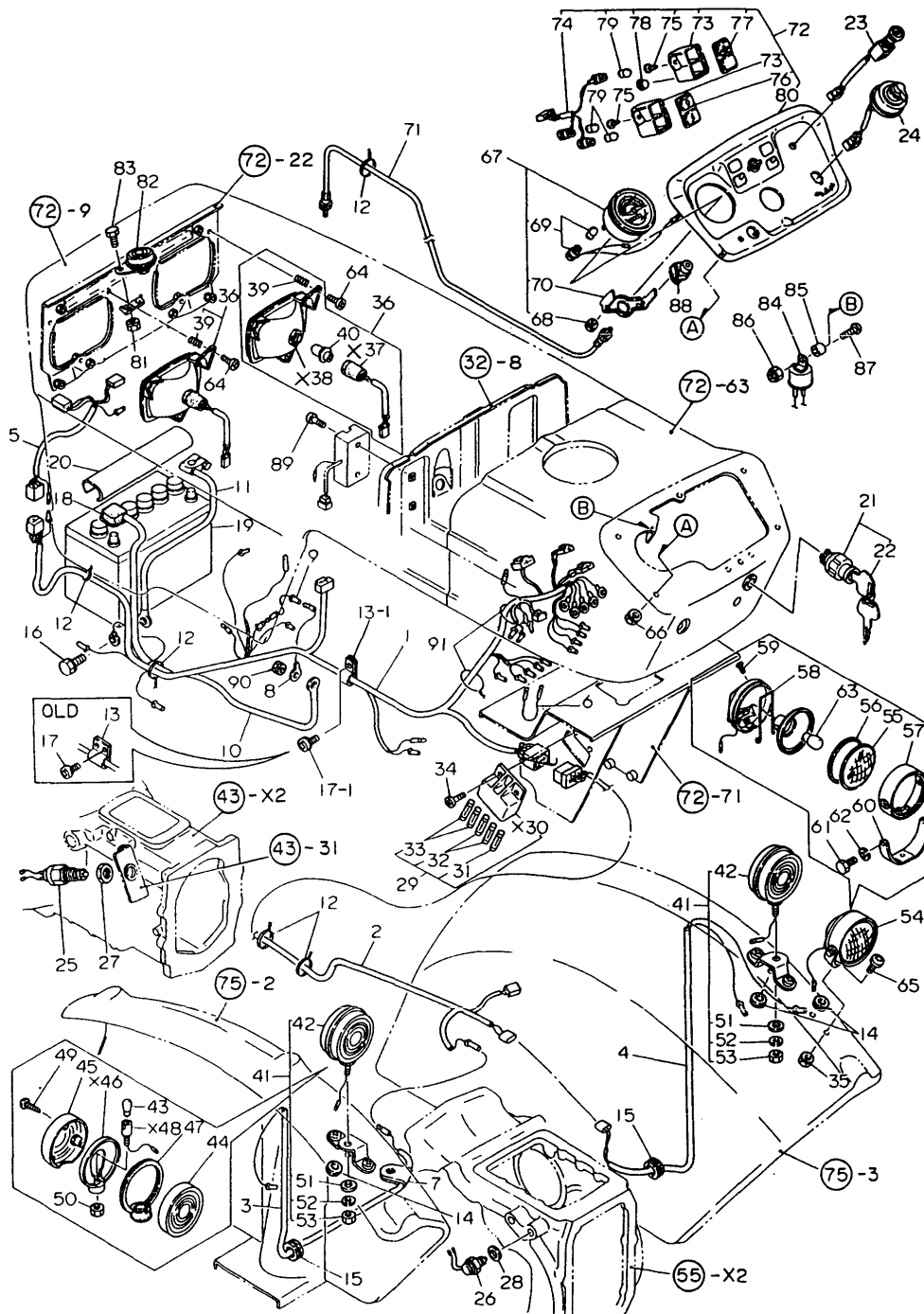
REF.	LEV.	PARTS NO.	DESCRIPTION	QTY						I	R
				(A)	(B)	(C)	(D)	(E)	(F)		
1	1	194170-51110	HARNESS (A), WIRE	1	1						
1-1	1	194172-51111	HARNESS (A), WIRE	1	1						N
		(A=T/# 20493) (B=T/# 41002)									
2	1	194170-51120	HARNESS (B), WIRE	1	1						
3	1	194322-51130	HARNESS (C), WIRE	1	1						
4	1	194322-51140	HARNESS (D), WIRE	1	1						
4-1	1	194275-51141	HARNESS (D), WIRE	1	1						N
		(A=T/# 20563) (B=T/# 41364)									
5	1	194145-51150	HARNESS (E), WIRE	1	1						
6	1	194446-51160	WIRE, LEAD	1	1						
7	1	194145-51180	PLATE, EARTH	2	2						
8	1	194312-51210	WIRE, MAIN LEAD	1	1						
9	1	194312-51220	LINK, FUSIBLE	1	1						
9-1	1	194550-51220	LINK, FUSIBLE 0.85RED	1	1						N
		(A=T/# 20558) (B=T/# 41292)									
10	1	194080-51411	CABLE, BATTERY	1	1						
11	1	194420-51420	CABLE, BATTERY EARTH	1	1						
12	1	194150-51620	CLAMP, WIRE HARNESS	7	7						
12-1	1	121750-59890	RETAINER	5	5						N
		(A=*1981.06) (B=*1981.06)									
13	1	194145-51650	CLAMP (C)	1	1						
13-1	1	194440-51630	CLAMP, WIRE HARNESS	1	1						N
		(A=T/# 20493) (B=T/# 41002)									
13-2	1	194271-51650	CLAMP, HARNESS	1	1						N
		(A=T/# 20563) (B=T/# 41351)									
14	1	194080-58810	GROMMET 8	3	3						
15	1	194080-58820	GROMMET 15	2	2						
16	1	26013-060162	BOLT M 6X 16	1	1						
16-1	1	26014-060122	BOLT M 6X 12	1	1						N
		(A=T/# 20430) (B=T/# 40849)									
16-2	1	26106-060122	BOLT M 6X 12 PLATED	1	1						N
		(A=T/# 20648) (B=T/# 41690)									
17	1	26022-060142	SCREW M 6X 14	2	2						
17-1	1	26014-060162	BOLT M 6X 16	2	2						N
		(A=T/# 20561) (B=T/# 41337)									
17-2	1	26106-060122	BOLT M 6X 12 PLATED	2	2						N
		(A=T/# 20648) (B=T/# 41690)									
18	1	194080-51430	INSULATOR	1	1						Z
		(A=T/# 20553) (B=T/# 41276)									
19	1	194240-51501	BATTERY (N70Z-TP)	1	1						
19-1	1	194240-51510	BATTERY N70Z	1	1						R
		(A=T/# 20611) (B=T/# 41544)									
20	1	194150-51550	COVER, BATTERY	1	1						
21	1	194322-52110	SWITCH, STARTING	1	1						
22	2	194155-52190	KEY	2	2						
23	1	194420-52120	SWITCH, LIGHTING	1	1						
24	1	194170-52130	SWITCH, TURN SIGNAL	1	1						
25	1	194440-52190	SWITCH, SAFETY START	1	1						
25-1	1	194440-52191	SWITCH, SAFETY START	1	1						N
		(A=T/# 20590) (B=T/# 41430)									
26	1	194464-52190	SWITCH, SAFETY START	1	1						
27	1	194240-52210	NUT M22	1	1						
28	1	23414-180023	GASKET 18	1	1						
29	1	194145-52400	BOX ASSY, FUSE	1	1						

++ CONTINUE ++

Fig. 67 ELECTRIC PARTS (USA & SOUTH AFRICA)

Y00T2321 67. ELECTRIC PARTS(USA & S.AFRICA)

(A)=YM276 (D)=  
 (B)=YM276D (E)=  
 (C)= (F)=



REF.	LEV.	PARTS NO.	DESCRIPTION	QTY						I	R
				(A)	(B)	(C)	(D)	(E)	(F)		
29-1	1	194440-52400 (A=*1982.01) (B=*1982.01)	BOX ASSY, FUSE	1	1						N
31	2	194145-52820	FUSE 5A	1	1						
31-1	2	29411-050000 (A=T/# 20627) (B=T/# 41570)	FUSE ( 5A),CARTRIDGE	1	1						R
32	2	194145-52830	FUSE 10A	2	2						
32-1	2	29411-100000 (A=T/# 20627) (B=T/# 41570)	FUSE (10A),CARTRIDGE	2	2						R
33	2	194145-52840	FUSE 15A	2	2						
33-1	2	29411-150000 (A=T/# 20627) (B=T/# 41570)	FUSE (15A),CARTRIDGE	2	2						R
34	1	26587-060202	SCREW M 6X 20	2	2						
35	1	194990-22050	NUT W/WASHER 8	1	1						
36	1	194145-53200	LIGHT ASSY, HEAD	2	2						
39	2	194145-53310	SPRING	6	6						
40	2	194155-55810	BULB 12V-35/25W	2	2						
41	1	794275-53401	LAMP ASSY, WORKING	2	2						
42	2	194275-53401	LAMP ASSY, WORKING	2	2						
43	3	194275-53410	BULB	2	2						
44	3	194275-53421	LENS	2	2						
45	3	194275-53431	LENS	2	2						
47	3	194275-53451	GASKET	2	2						
49	3	194275-53481	SCREW	6	6						
50	3	26756-100002	LOCK NUT M10 PLATED	2	2						
51	2	22137-100000	WASHER 10,POLISHED	2	2						
52	2	22217-100000	SPRING WASHER 10	2	2						
53	2	26716-100002	NUT M10	2	2						
54	1	794081-54101	LAMP ASSY, WORKING	1	1						
55	2	194081-54110	LENS	1	1						
56	2	194081-54120	GASKET	1	1						
57	2	194081-54131	RIM	1	1						
58	2	194081-54151	SPRING	1	1						
59	2	194081-54210	SCREW	1	1						
60	2	194081-54221	STAY	1	1						
61	2	194081-54230	BOLT M6X 12	2	2						
62	2	194081-54240	SPRING WASHER 6	2	2						
63	2	194081-55820	BULB 12V-20W	1	1						
64	1	26557-050252	SCREW M 5X 25	6	6						
65	1	26587-080162	SCREW M 8X 16	1	1						
66	1	194990-22030	NUT W/WASHER 5	6	6						
67	1	194170-56100	HOUR-METER ASSY	1	1						
68	2	194990-22030	NUT W/WASHER 5	2	2						
69	2	194170-56130	CORD W/BULB 12V-1.7W	1	1						
70	2	194080-56170	FITTING	1	1						
70-1	2	194170-56170	FITTINGS	1	1						S
		(A=*1980.12) (B=*1980.12)									
71	1	194145-56901	CABLE, HOUR-METER	1	1						
71-1	1	194275-56900	CABLE, HOUR-METER	1	1						N
		(A=*1981.11) (B=*1981.11)									
72	1	194170-61600	DASHBOARD ASSY	1	1						
73	2	194170-55120	BOX, PILOT	2	2						
74	2	194170-55130	CORD	1	1						
75	2	22857-400120	SCREW 4X12	4	4						
76	2	194170-55150	LENS (A)	1	1						

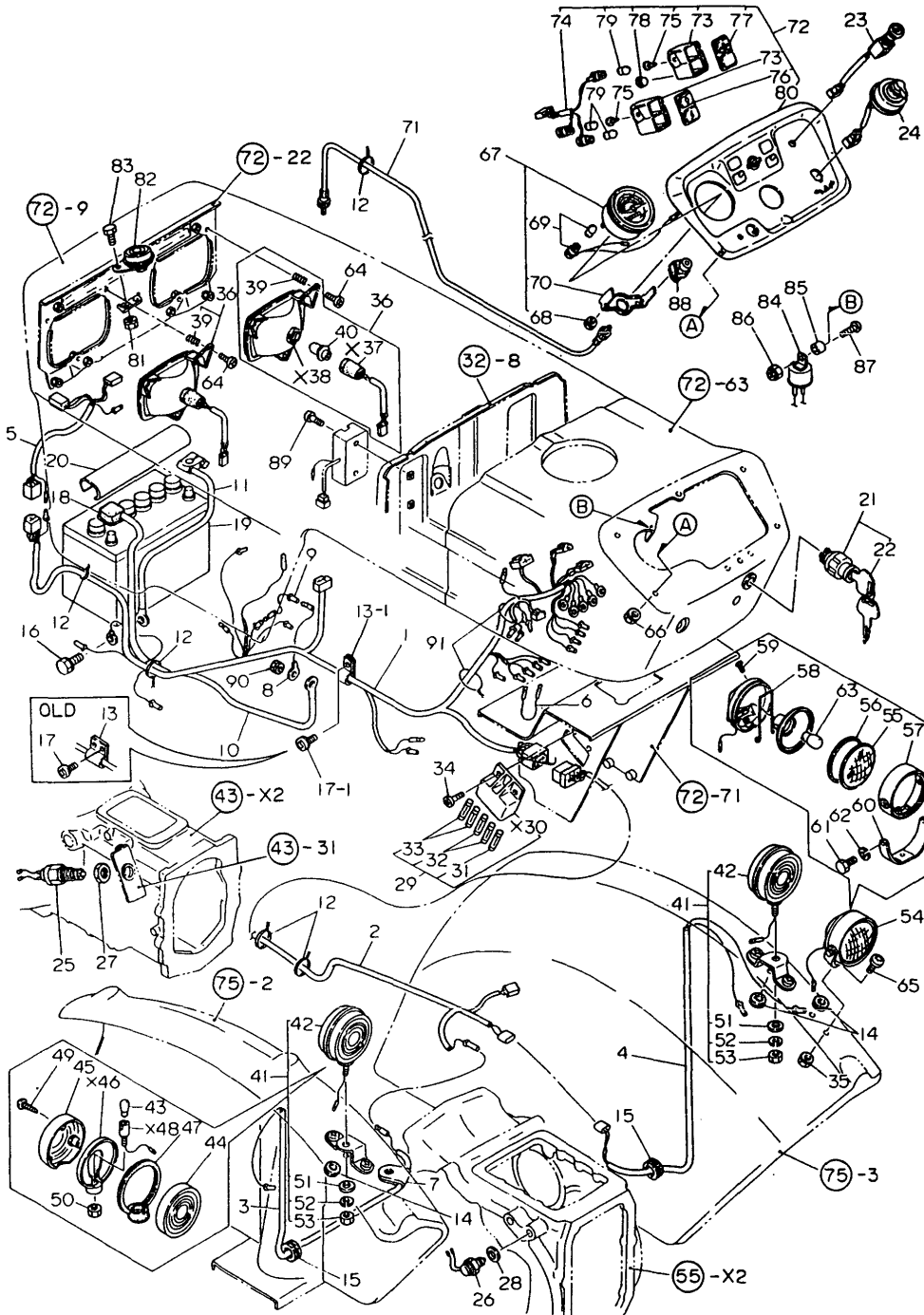
++ CONTINUE ++



Fig. 67 ELECTRIC PARTS (USA & SOUTH AFRICA)

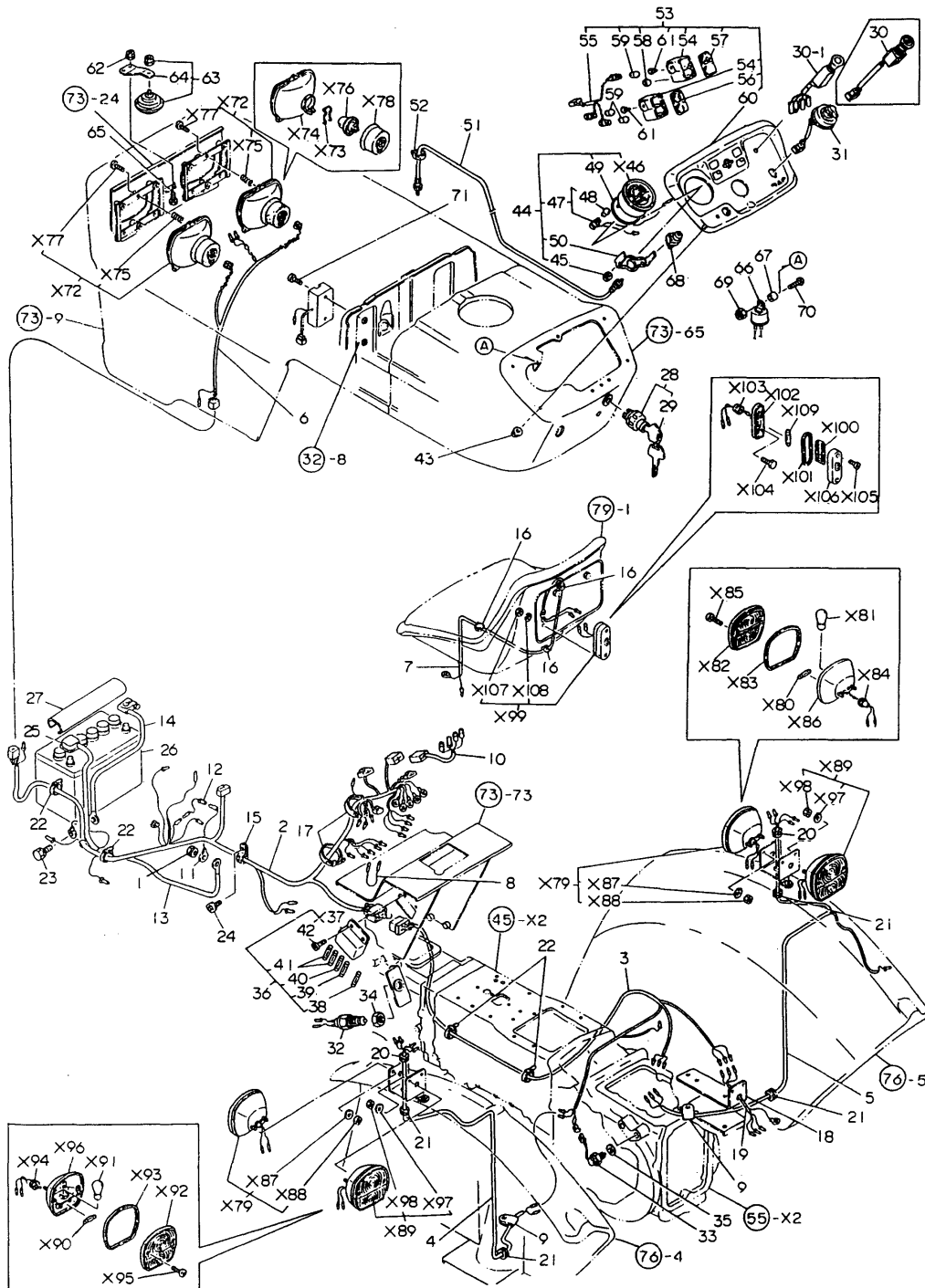
Y00T2321 67. ELECTRIC PARTS(USA & S.AFRICA)

(A)=YM276 (D)=  
 (B)=YM276D (E)=  
 (C)= (F)=



REF.	LEV.	PARTS NO.	DESCRIPTION	QTY						I	R
				(A)	(B)	(C)	(D)	(E)	(F)		
77	2	194170-55160	LENS (B)	1	1						
78	2	194170-55170	COVER	1	1						
79	2	194155-55820	BULB 12V-1.7W	3	3						
80	2	194170-61610	PANEL, DASHBOARD	1	1						
81	1	194990-22040	NUT W/WASHER 6	2	2						
82	1	194151-57100	HORN	1	1						
83	1	26116-060122	BOLT M 6X 12	2	2						
83-1	1	26106-060122	BOLT M 6X 12 PLATED	2	2						N
		(A=T/# 20648) (B=T/# 41690)									
84	1	194080-57202	RELAY	1	1						
85	1	194151-57210	SPACER	1	1						
86	1	26346-050002	U-NUT M 4 PLATED	1	1						
87	1	26557-050162	SCREW M 5X 16	1	1						
88	1	194464-57250	RELAY, LAMP CHECK	1	1						
89	1	26557-060302	SCREW M 6X 30	2	2						
90	1	194990-22140	NUT W/WASHER 8	1	1						
90-1	1	194990-22050	NUT W/WASHER 8	1	1						N
		(A=T/# 20430) (B=T/# 40844)									
91	1	194250-51660	BAND 250	2	2						W
		(A=*1981.06) (B=*1981.06)									

Fig. 68 ELECTRIC PARTS (FRANCE)



Y00T2321 68. ELECTRIC PARTS(FRANCE)

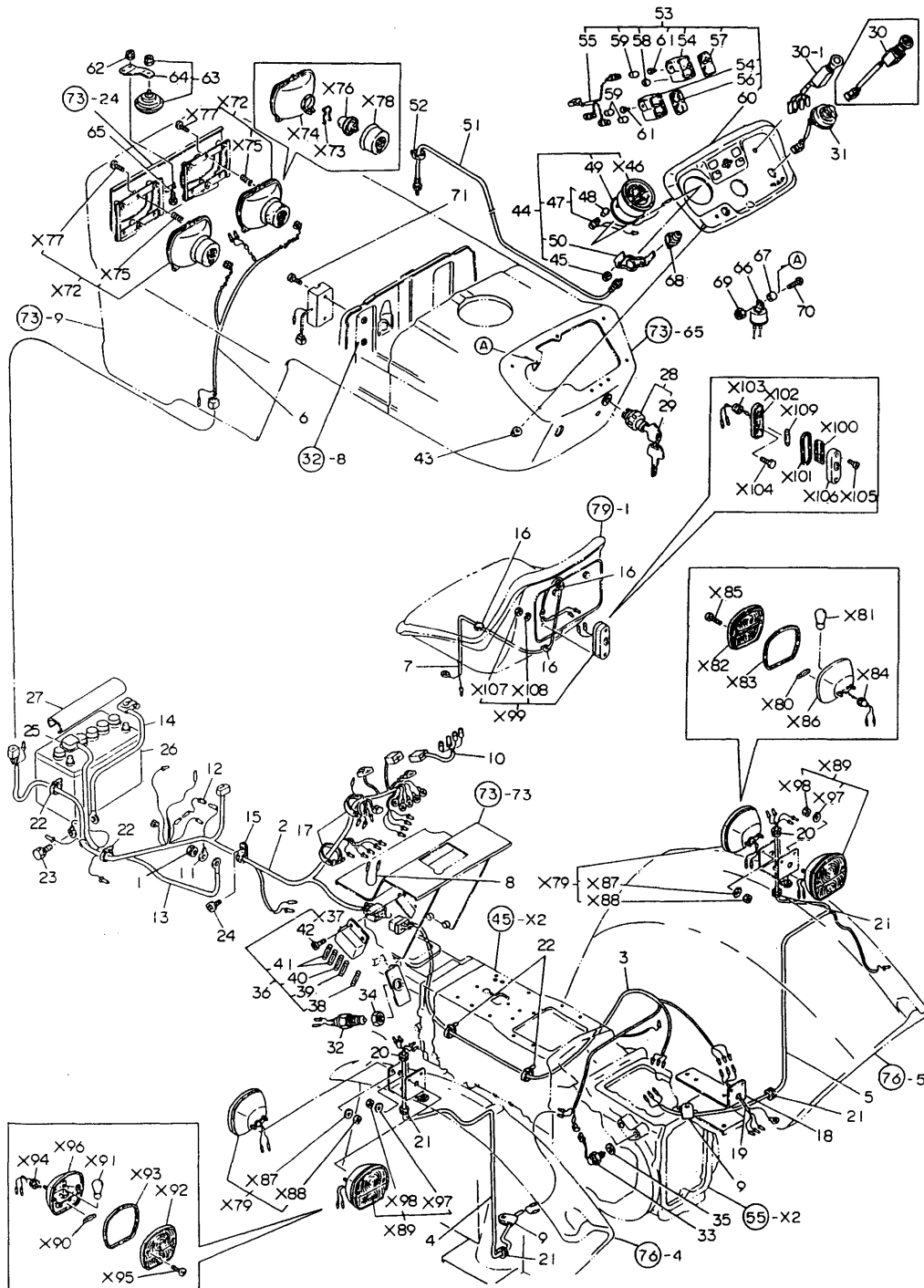
(A)=YM276 (D)=  
 (B)=YM276D (E)=  
 (C)= (F)=

REF.	LEV.	PARTS NO.	DESCRIPTION	QTY						I	R
				(A)	(B)	(C)	(D)	(E)	(F)		
1	1	194990-22050	NUT W/WASHER 8	1	1						W
2	1	194172-51110	HARNESS (A), WIRE	1	1						
2-1	1	194172-51111	HARNESS (A), WIRE	1	1						S
		(A=T/# 20493) (B=T/# 41002)									
3	1	194172-51120	HARNESS (B), WIRE	1	1						
4	1	194324-51131	HARNESS (C), WIRE	1	1						
5	1	194324-51141	HARNESS (D), WIRE	1	1						
6	1	194324-51151	HARNESS (E), WIRE	1	1						
7	1	194436-51160	HARNESS, LAMP	1	1						
8	1	194446-51160	WIRE, LEAD	1	1						
9	1	194145-51180	PLATE, EARTH	2	2						
10	1	194292-51191	WIRE, LEAD	1	1						W
		(A=T/# 20493) (B=T/# 41002)									
11	1	194312-51210	WIRE, MAIN LEAD	1	1						
12	1	194312-51220	LINK, FUSIBLE	1	1						
12-1	1	194550-51220	LINK, FUSIBLE 0.85RED	1	1						N
		(A=T/# 20558) (B=T/# 41292)									
13	1	194080-51411	CABLE, BATTERY	1	1						
14	1	194420-51420	CABLE, BATTERY EARTH	1	1						
15	1	194440-51630	CLAMP, WIRE HARNESS	1	1						
15-1	1	194271-51650	CLAMP, HARNESS	1	1						N
		(A=T/# 20563) (B=T/# 41351)									
16	1	194242-51660	CLAMP, WIRE HARNESS	3	3						
17	1	194250-51660	BAND 250	2	2						
18	1	194270-51701-X	BRACKET, SOCKET	1	1						
19	1	194240-51820	HARNESS, SOCKET	1	1						
20	1	194448-58810	GROMMET 8	2	2						
20-1	1	194448-58811	GROMMET 15	2	2						S
		(A=*1982.) (B=*1982.)									
21	1	194080-58820	GROMMET 15	4	4						
22	1	121750-59890	RETAINER	4	4						
23	1	26013-060162	BOLT M 6X 16	1	1						
23-1	1	26014-060122	BOLT M 6X 12	1	1						N
		(A=T/# 20430) (B=T/# 40849)									
23-2	1	26106-060122	BOLT M 6X 12 PLATED	1	1						N
		(A=T/# 20648) (B=T/# 41690)									
24	1	26022-060142	SCREW M 6X 14	1	1						
24-1	1	26014-060162	BOLT M 6X 16	2	2						N
		(A=T/# 20561) (B=T/# 41337)									
24-2	1	26106-060122	BOLT M 6X 12 PLATED	2	2						N
		(A=T/# 20648) (B=T/# 41690)									
25	1	194080-51430	INSULATOR	1	1						Z
		(A=T/# 20553) (B=T/# 41276)									
26	1	194240-51501	BATTERY (N70Z-TP)	1	1						
26-1	1	194240-51510	BATTERY N70Z	1	1						R
		(A=T/# 20611) (B=T/# 41544)									
27	1	194150-51550	COVER, BATTERY	1	1						
28	1	194322-52110	SWITCH, STARTING	1	1						
29	2	194155-52190	KEY	2	2						
30	1	194420-52120	SWITCH, LIGHTING	1	1						
30-1	1	194240-52120	SWITCH, LIGHTING	1	1						S
		(A=T/# 20539) (B=T/# 41204)									
31	1	194170-52130	SWITCH, TURN SIGNAL	1	1						

++ CONTINUE ++

Fig. 68 ELECTRIC PARTS (FRANCE)

(A)=YM276 (D)=  
 (B)=YM276D (E)=  
 (C)= (F)=



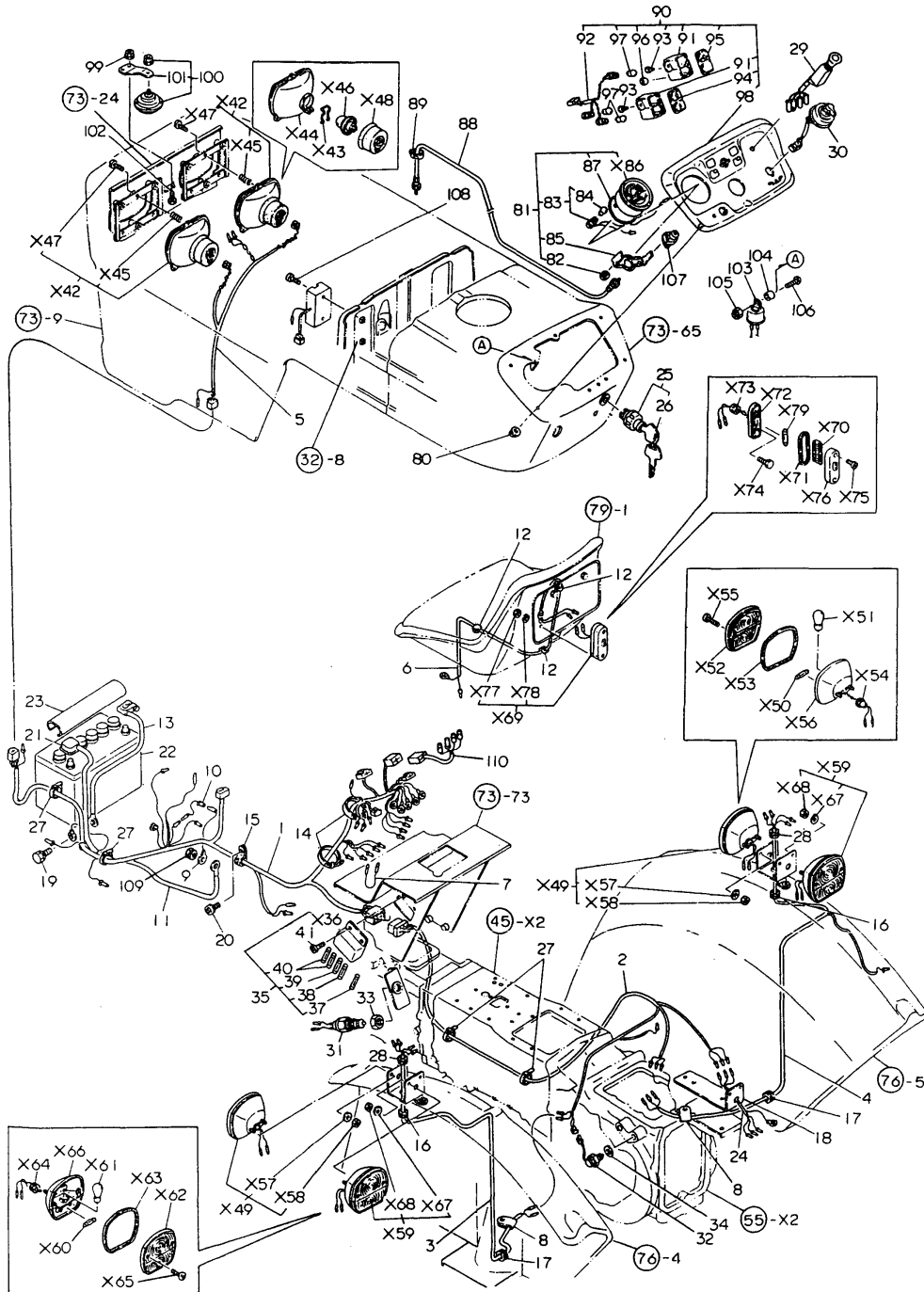
REF.	LEV.	PARTS NO.	DESCRIPTION	QTY						I	R
				(A)	(B)	(C)	(D)	(E)	(F)		
32	1	194440-52190	SWITCH, SAFETY START	1	1						
32-1	1	194440-52191	SWITCH, SAFETY START	1	1						N
		(A=T/# 20590) (B=T/# 41430)									
33	1	194464-52190	SWITCH, SAFETY START	1	1						
34	1	194240-52210	NUT M22	1	1						
35	1	23414-180023	GASKET 18	1	1						
36	1	194240-52400	BOX ASSY, FUSE	1	1						
38	2	194145-52820	FUSE 5A	1	1						
38-1	2	29411-050000	FUSE ( 5A),CARTRIDGE	1	1						R
		(A=T/# 20627) (B=T/# 41570)									
39	2	194145-52830	FUSE 10A	1	1						
39-1	2	29411-100000	FUSE (10A),CARTRIDGE	1	1						R
		(A=T/# 20627) (B=T/# 41570)									
40	2	194145-52840	FUSE 15A	1	1						
40-1	2	29411-150000	FUSE (15A),CARTRIDGE	1	1						R
		(A=T/# 20627) (B=T/# 41570)									
41	2	194145-52850	FUSE 20A	2	2						
41-1	2	29411-200000	FUSE (20A),CARTRIDGE	2	2						R
		(A=T/# 20627) (B=T/# 41570)									
42	1	26587-060202	SCREW M 6X 20	2	2						
43	1	194990-22030	NUT W/WASHER 5	6	6						
44	1	194170-56100	HOUR-METER ASSY	1	1						
45	2	194990-22030	NUT W/WASHER 5	2	2						
47	2	194170-56130	CORD W/BULB 12V-1.7W	1	1						
48	3	194155-55820	BULB 12V-1.7W	1	1						
49	2	194080-56150	RUBBER	1	1						
50	2	194170-56170	FITTINGS	1	1						
51	1	194275-56900	CABLE, HOUR-METER	1	1						
52	1	121750-59890	RETAINER	1	1						
53	1	194170-61600	DASHBOARD ASSY	1	1						
54	2	194170-55120	BOX, PILOT	2	2						
55	2	194170-55130	CORD	1	1						
56	2	194170-55150	LENS (A)	1	1						
57	2	194170-55160	LENS (B)	1	1						
58	2	194170-55170	COVER	1	1						
59	2	194155-55820	BULB 12V-1.7W	3	3						
60	2	194170-61610	PANEL, DASHBOARD	1	1						
61	2	22857-400120	SCREW 4X12	4	4						
62	1	194990-22040	NUT W/WASHER 6	2	2						
63	1	194340-57100	HORN ASSY	1	1						
64	2	194340-57110	BRACKET	1	1						
65	1	26116-060122	BOLT M 6X 12	2	2						
66	1	194080-57202	RELAY	1	1						
67	1	194151-57210	SPACER	1	1						
68	1	194464-57250	RELAY, LAMP CHECK	1	1						
69	1	26346-050002	U-NUT M 4 PLATED	1	1						
70	1	26557-050162	SCREW M 5X 16	1	1						
71	1	26557-060302	SCREW M 6X 30	2	2						
72	1	194436-53100	LAMP ASSY, HEAD	2	2						1
73	2	194436-53120	CLIP	2	2						1
74	2	*REF.68=72	LIGHT UNIT	2	2						1
75	2	194436-53130	SPRING	6	6						1
76	2	194436-53110	BULB 12V-45/40	2	2						1
77	2	194436-53140	SCREW	6	6						1

++ CONTINUE ++



Fig. 69 ELECTRIC PARTS (EURDPE)

(A)=YM276 (D)=  
 (B)=YM276D (E)=  
 (C)= (F)=



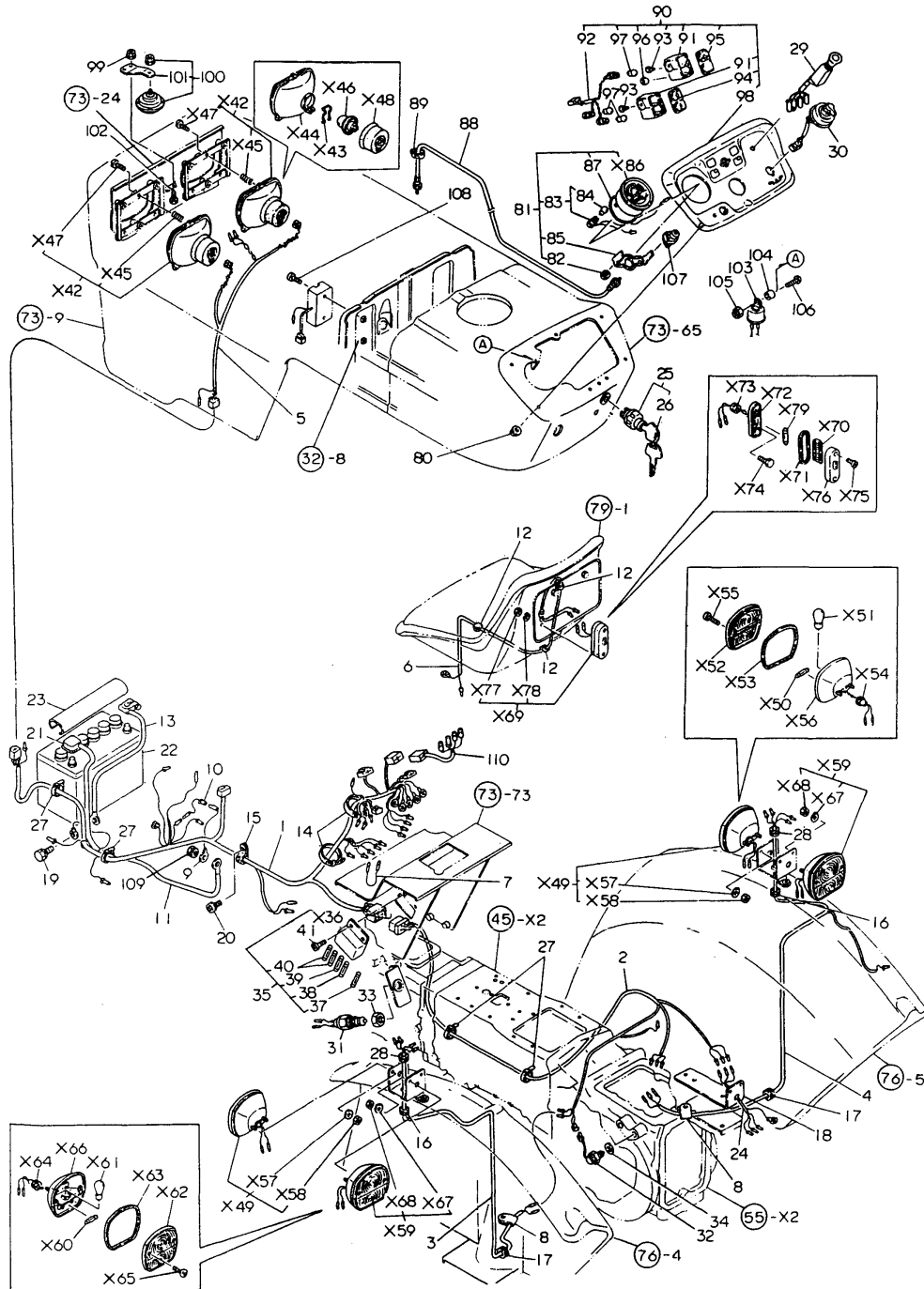
X-MARK PARTS : NOT SOLD SEPARATELY

REF.	LEV.	PARTS NO.	DESCRIPTION	QTY						I	R
				(A)	(B)	(C)	(D)	(E)	(F)		
1	1	194172-51111	HARNESS (A), WIRE	1	1						
2	1	194172-51120	HARNESS (B), WIRE	1	1						
3	1	194324-51131	HARNESS (C), WIRE	1	1						
4	1	194324-51141	HARNESS (D), WIRE	1	1						
5	1	194324-51151	HARNESS (E), WIRE	1	1						
6	1	194436-51160	HARNESS, LAMP	1	1						
7	1	194446-51160	WIRE, LEAD	1	1						
8	1	194145-51180	PLATE, EARTH	2	2						
9	1	194312-51210	WIRE, MAIN LEAD	1	1						
10	1	194550-51220	LINK, FUSIBLE 0.85RED	1	1						
11	1	194080-51411	CABLE, BATTERY	1	1						
12	1	194242-51660	CLAMP, WIRE HARNESS	3	3						
13	1	194420-51420	CABLE, BATTERY EARTH	1	1						
14	1	194250-51660	BAND 250	2	2						
15	1	194440-51630	CLAMP, WIRE HARNESS	1	1						
15-1	1	194271-51650	CLAMP, HARNESS	1	1						N
		(A=T/# 20563) (B=T/# 41351)									
16	1	194080-58820	GROMMET 15	2	2						
17	1	194080-58820	GROMMET 15	2	2						
18	1	194270-51701-X	BRACKET, SOCKET	1	1						
19	1	26014-060122	BOLT M 6X 12	1	1						
19-1	1	26106-060122	BOLT M 6X 12 PLATED	1	1						N
		(A=T/# 20648) (B=T/# 41690)									
20	1	26022-060142	SCREW M 6X 14	1	1						
20-1	1	26014-060162	BOLT M 6X 16	2	2						N
		(A=T/# 20561) (B=T/# 41337)									
20-2	1	26106-060122	BOLT M 6X 12 PLATED	2	2						N
		(A=T/# 20648) (B=T/# 41690)									
21	1	194080-51430	INSULATOR	1	1						Z
		(A=T/# 20553) (B=T/# 41276)									
22	1	194240-51501	BATTERY (N70Z-TP)	1	1						
22-1	1	194240-51510	BATTERY N70Z	1	1						R
		(A=T/# 20611) (B=T/# 41544)									
23	1	194150-51550-X	COVER, BATTERY	1	1						
24	1	194240-51820	HARNESS, SOCKET	1	1						
25	1	194322-52110	SWITCH, STARTING	1	1						
26	2	194155-52190	KEY	2	2						
27-1	1	121750-59890	RETAINER	4	4						
28	1	194448-58811	GROMMET 15	2	2						
29	1	194240-52120	SWITCH, LIGHTING	1	1						
30	1	194170-52130	SWITCH, TURN SIGNAL	1	1						
31	1	194440-52190	SWITCH, SAFETY START	1	1						
31-1	1	194440-52191	SWITCH, SAFETY START	1	1						N
		(A=T/# 20590) (B=T/# 41430)									
32	1	194464-52190	SWITCH, SAFETY START	1	1						
33	1	194240-52210	NUT M22	1	1						
34	1	23414-180023	GASKET 18	1	1						
35	1	194240-52400	BOX ASSY, FUSE	1	1						
37	2	194145-52820	FUSE 5A	1	1						
37-1	2	29411-050000	FUSE (5A), CARTRIDGE	1	1						R
		(A=T/# 20627) (B=T/# 41570)									
38	2	194145-52830	FUSE 10A	1	1						
38-1	2	29411-100000	FUSE (10A), CARTRIDGE	1	1						R
		(A=T/# 20627) (B=T/# 41570)									

++ CONTINUE ++

Fig. 69 ELECTRIC PARTS (EURDPE)

(A)=YM276 (D)=  
 (B)=YM276D (E)=  
 (C)= (F)=



X-MARK PARTS : NOT SOLD SEPARATELY

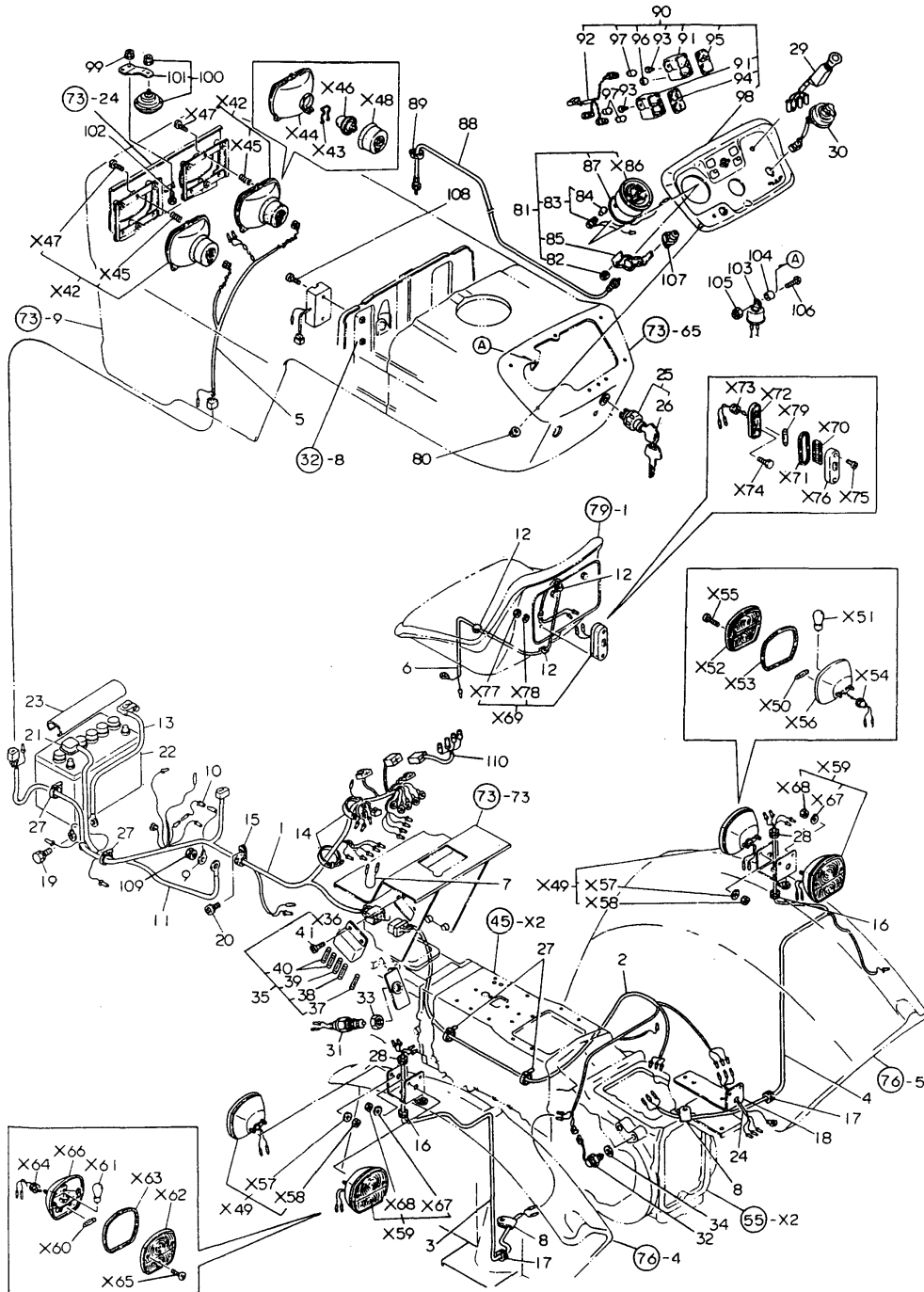
REF.	LEV.	PARTS NO.	DESCRIPTION	QTY						I	R
				(A)	(B)	(C)	(D)	(E)	(F)		
39	2	194145-52840	FUSE 15A	1	1						
39-1	2	29411-150000 (A=T/# 20627) (B=T/# 41570)	FUSE (15A),CARTRIDGE	1	1						R
40	2	194145-52850	FUSE 20A	2	2						
40-1	2	29411-200000 (A=T/# 20627) (B=T/# 41570)	FUSE (20A),CARTRIDGE	2	2						R
41	1	26587-060202	SCREW M 6X 20	2	2						
42	1	194436-53100	LAMP ASSY, HEAD	2	2						
43	2	194436-53120	CLIP	2	2						1
45	2	194436-53130	SPRING	6	6						1
46	2	194436-53110	BULB 12V-45/40	2	2						1
47	2	194436-53140	SCREW	6	6						1
48	2	194436-53150	BOOT, RUBBER	2	2						1
49	1	194436-53600	LAMP, CLEARANCE	2	2						1
50	2	194436-53650	BULB 12V-4W	2	2						1
51	2	194436-53640	BULB 12V-21W	2	2						1
52	2	194436-53630	LENS	2	2						1
53	2	194436-53610	GASKET	2	2						1
54	2	194436-53620	GROMMET	2	2						1
55	2	26557-040202	SCREW M 4X 20	4	4						1
56	2	194436-53660	BODY	2	2						1
57	2	194436-53670	WASHER 5	4	4						1
58	2	26716-050002	NUT M 5	4	4						1
59	1	194436-53700	LAMP, CLEARANCE	2	2						1
60	2	194436-53650	BULB 12V-4W	2	2						1
61	2	194436-53640	BULB 12V-21W	2	2						1
62	2	194436-53710	LENS	2	2						1
63	2	194436-53610	GASKET	2	2						1
64	2	194436-53620	GROMMET	2	2						1
65	2	26557-040202	SCREW M 4X 20	4	4						1
66	2	194436-53660	BODY	2	2						1
67	2	194436-53670	WASHER 5	4	4						1
68	2	26716-050002	NUT M 5	4	4						1
69	1	194436-53800	LAMP, LICENSE	1	1						1
70	2	*REF.69=69	LENS	1	1						1
71	2	*REF.69=69	GASKET	1	1						1
72	2	194436-53810	BODY	1	1						1
73	2	*REF.69=69	GROMMET	1	1						1
74	2	26116-050162	BOLT M 5X 16 PLATED	2	2						1
75	2	194436-53820	SCREW	2	2						1
76	2	*REF.69=69	COVER	1	1						1
77	2	26716-050002	NUT M 5	2	2						1
78	2	22217-050000	SPRING WASHER 5	2	2						1
79	2	194436-53650	BULB 12V-4W	1	1						1
80	1	194990-22030	NUT W/WASHER 5	6	6						
81	1	194170-56100	HOURL-METER ASSY	1	1						
82	2	194990-22030	NUT W/WASHER 5	2	2						
83	2	194170-56130	CORD W/BULB 12V-1.7W	1	1						
84	3	194155-55820	BULB 12V-1.7W	1	1						
85	2	194170-56170	FITTINGS	1	1						
87	2	194080-56150	RUBBER	1	1						
88	1	194275-56900	CABLE, HOUR-METER	1	1						
89	1	121750-59890	RETAINER	1	1						
90	1	194170-61600	DASHBOARD ASSY	1	1						

++ CONTINUE ++

Fig. 69 ELECTRIC PARTS (EURDPE)

Y00T2321 69. ELECTRIC PARTS(EUROPE)

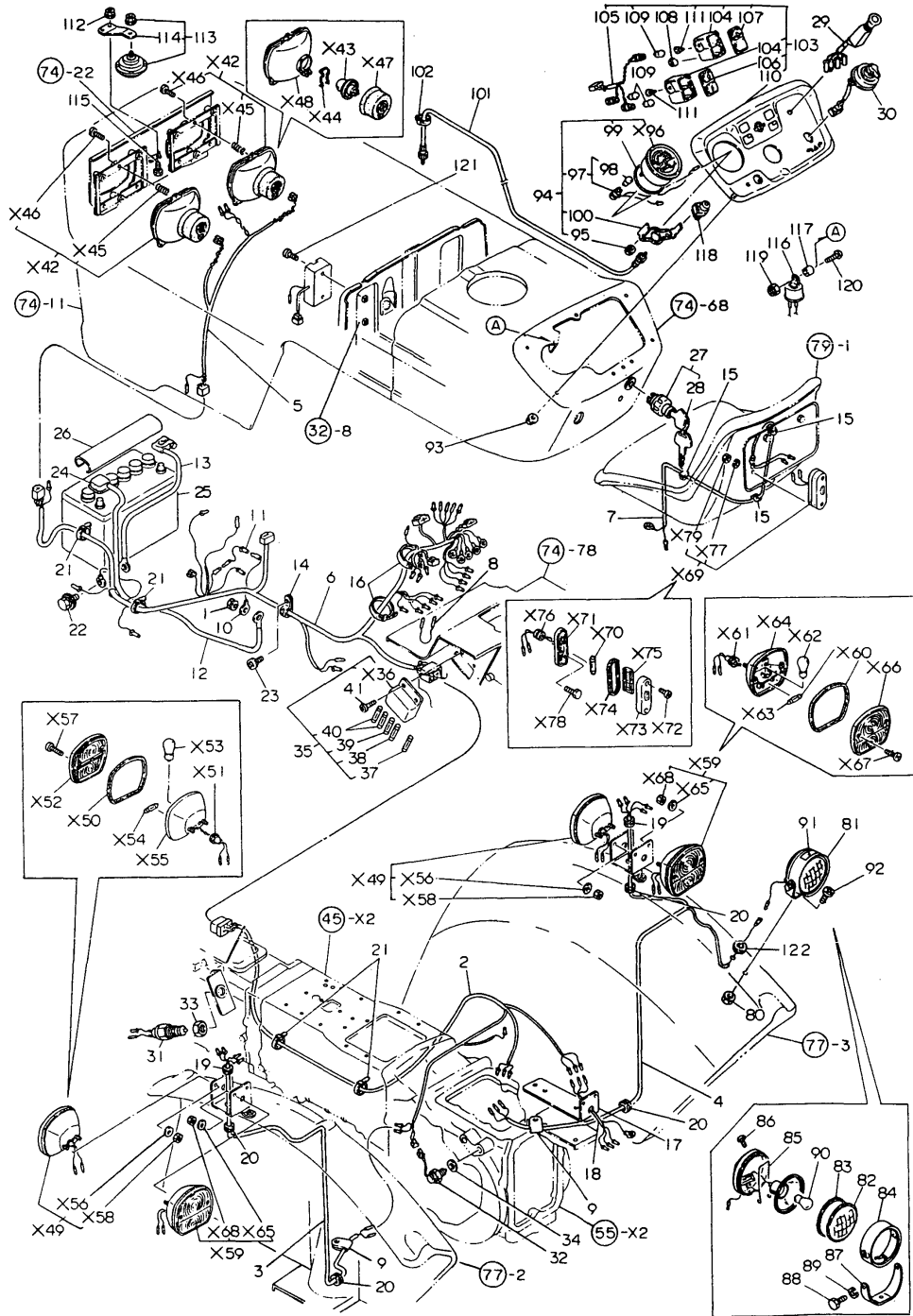
(A)=YM276 (D)=  
 (B)=YM276D (E)=  
 (C)= (F)=



X-MARK PARTS : NOT SOLD SEPARATELY

REF.	LEV.	PARTS NO.	DESCRIPTION	QTY						I	R
				(A)	(B)	(C)	(D)	(E)	(F)		
91	2	194170-55120	BOX, PILOT	2	2						
92	2	194170-55130	CORD	1	1						
93	2	22857-400120	SCREW 4X12	4	4						
94	2	194170-55150	LENS (A)	1	1						
95	2	194170-55160	LENS (B)	1	1						
96	2	194170-55170	COVER	1	1						
97	2	194155-55820	BULB 12V-1.7W	3	3						
98	2	194170-61610	PANEL, DASHBOARD	1	1						
99	1	194990-22040	NUT W/WASHER 6	2	2						
100	1	194340-57100	HORN ASSY	1	1						
101	2	194340-57110	BRACKET	1	1						
102	1	26116-060122	BOLT M 6X 12	2	2						
103	1	194080-57202	RELAY	1	1						
104	1	194151-57210	SPACER	1	1						
105	1	26346-050002	U-NUT M 4 PLATED	1	1						
106	1	26557-050162	SCREW M 5X 16	1	1						
107	1	194464-57250	RELAY, LAMP CHECK	1	1						
108	1	26557-060302	SCREW M 6X 30	2	2						
109	1	194990-22050	NUT W/WASHER 8	1	1						
110	1	194292-51191	WIRE, LEAD	1	1						

Fig. 70 ELECTRIC PARTS (ENGLAND)



X-MARK PARTS : NOT SOLD SEPARATELY

Y00T2321 70. ELECTRIC PARTS(ENGLAND)

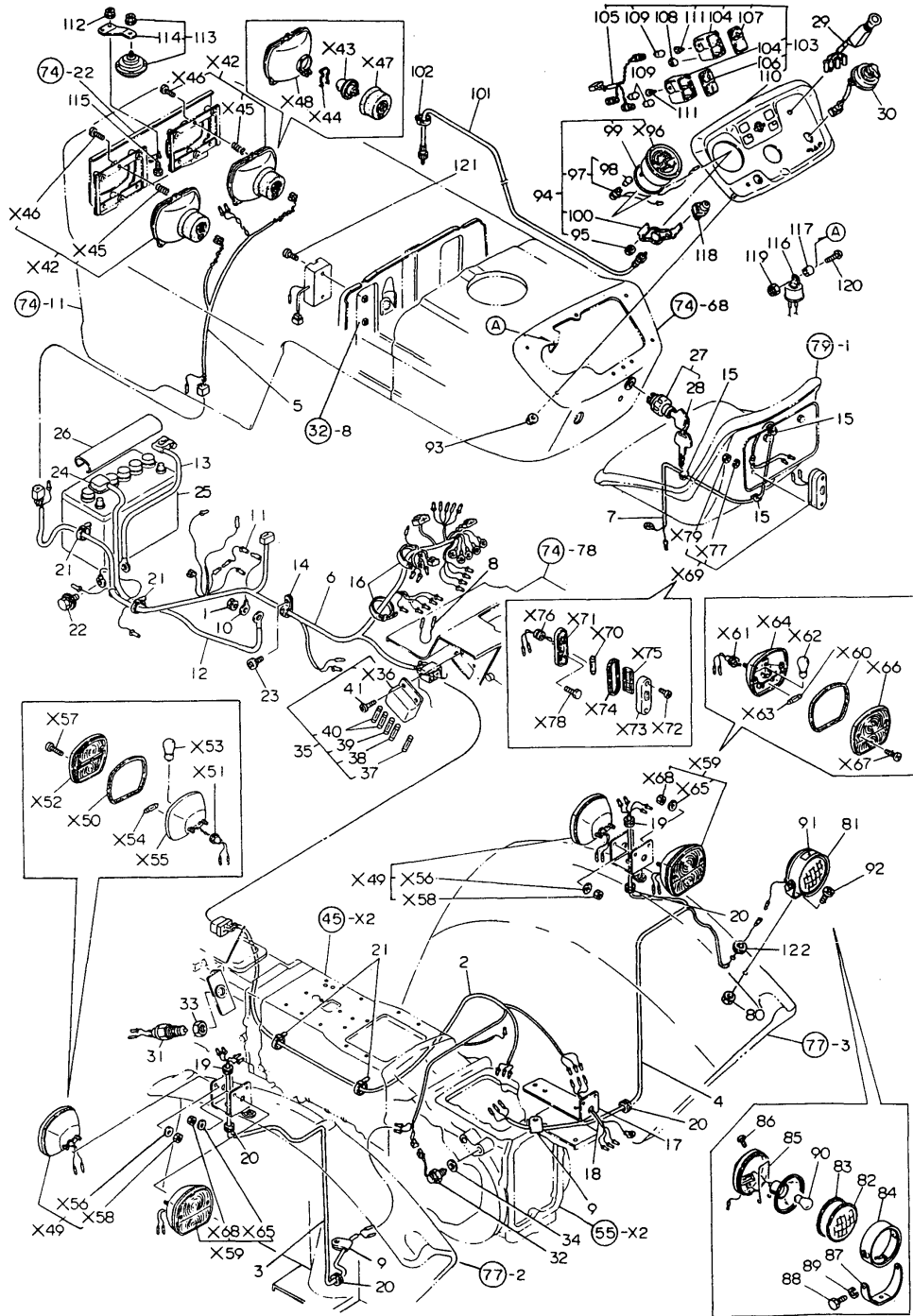
(A)=YM276 (D)=  
 (B)=YM276D (E)=  
 (C)= (F)=

REF.	LEV.	PARTS NO.	DESCRIPTION	QTY						I	R
				(A)	(B)	(C)	(D)	(E)	(F)		
1	1	194990-22050	NUT W/WASHER 8	1	1						
2	1	194172-51120	HARNESS (B), WIRE	1	1						
3	1	194324-51131	HARNESS (C), WIRE	1	1						
4	1	194324-51141	HARNESS (D), WIRE	1	1						
5	1	194324-51151	HARNESS (E), WIRE	1	1						
6	1	194172-51160	HARNESS (A), WIRE	1	1						
7	1	194436-51160	HARNESS, LAMP	1	1						
8	1	194446-51160	WIRE, LEAD	1	1						
9	1	194145-51180	PLATE, EARTH	2	2						
10	1	194312-51210	WIRE, MAIN LEAD	1	1						
11	1	194550-51220	LINK, FUSIBLE 0.85RED	1	1						
12	1	194080-51411	CABLE, BATTERY	1	1						
13	1	194420-51420	CABLE, BATTERY EARTH	1	1						
14	1	194440-51630	CLAMP, WIRE HARNESS	1	1						
14-1	1	194271-51650	CLAMP, HARNESS	1	1						N
(A=T/# 20563) (B=T/# 41351)											
15	1	194242-51660	CLAMP, WIRE HARNESS	3	3						
16	1	194250-51660	BAND 250	2	2						
17	1	194270-51701-X	BRACKET, SOCKET	1	1						
18	1	194240-51820	HARNESS, SOCKET	1	1						
19	1	194448-58811	GROMMET 15	2	2						
20	1	194080-58820	GROMMET 15	4	4						
21	1	121750-59890	RETAINER	4	4						
22	1	26014-060122	BOLT M 6X 12	1	1						
22-1	1	26106-060122	BOLT M 6X 12 PLATED	1	1						N
(A=T/# 20648) (B=T/# 41690)											
23	1	26022-060142	SCREW M 6X 14	1	1						
23-1	1	26014-060162	BOLT M 6X 16	2	2						N
(A=T/# 20561) (B=T/# 41337)											
23-2	1	26106-060122	BOLT M 6X 12 PLATED	2	2						N
(A=T/# 20648) (B=T/# 41690)											
24	1	194080-51430	INSULATOR	1	1						Z
(A=T/# 20553) (B=T/# 41276)											
25	1	194240-51501	BATTERY (N70Z-TP)	1	1						
25-1	1	194240-51510	BATTERY N70Z	1	1						R
(A=T/# 20611) (B=T/# 41544)											
26	1	194150-51550	COVER, BATTERY	1	1						
27	1	194322-52110	SWITCH, STARTING	1	1						
28	2	194155-52190	KEY	2	2						
29	1	194240-52120	SWITCH, LIGHTING	1	1						
30	1	194170-52130	SWITCH, TURN SIGNAL	1	1						
31	1	194440-52190	SWITCH, SAFETY START	1	1						
31-1	1	194440-52191	SWITCH, SAFETY START	1	1						N
(A=T/# 20590) (B=T/# 41430)											
32	1	194464-52190	SWITCH, SAFETY START	1	1						
33	1	194240-52210	NUT M22	1	1						
34	1	23414-180023	GASKET 18	1	1						
35	1	194240-52400	BOX ASSY, FUSE	1	1						
37	2	194145-52820	FUSE 5A	1	1						
37-1	2	29411-050000	FUSE ( 5A), CARTRIDGE	1	1						R
(A=T/# 20627) (B=T/# 41570)											
38	2	194145-52830	FUSE 10A	1	1						
38-1	2	29411-100000	FUSE (10A), CARTRIDGE	1	1						R
(A=T/# 20627) (B=T/# 41570)											

++ CONTINUE ++



Fig. 70 ELECTRIC PARTS (ENGLAND)



X-MARK PARTS : NOT SOLD SEPARATELY

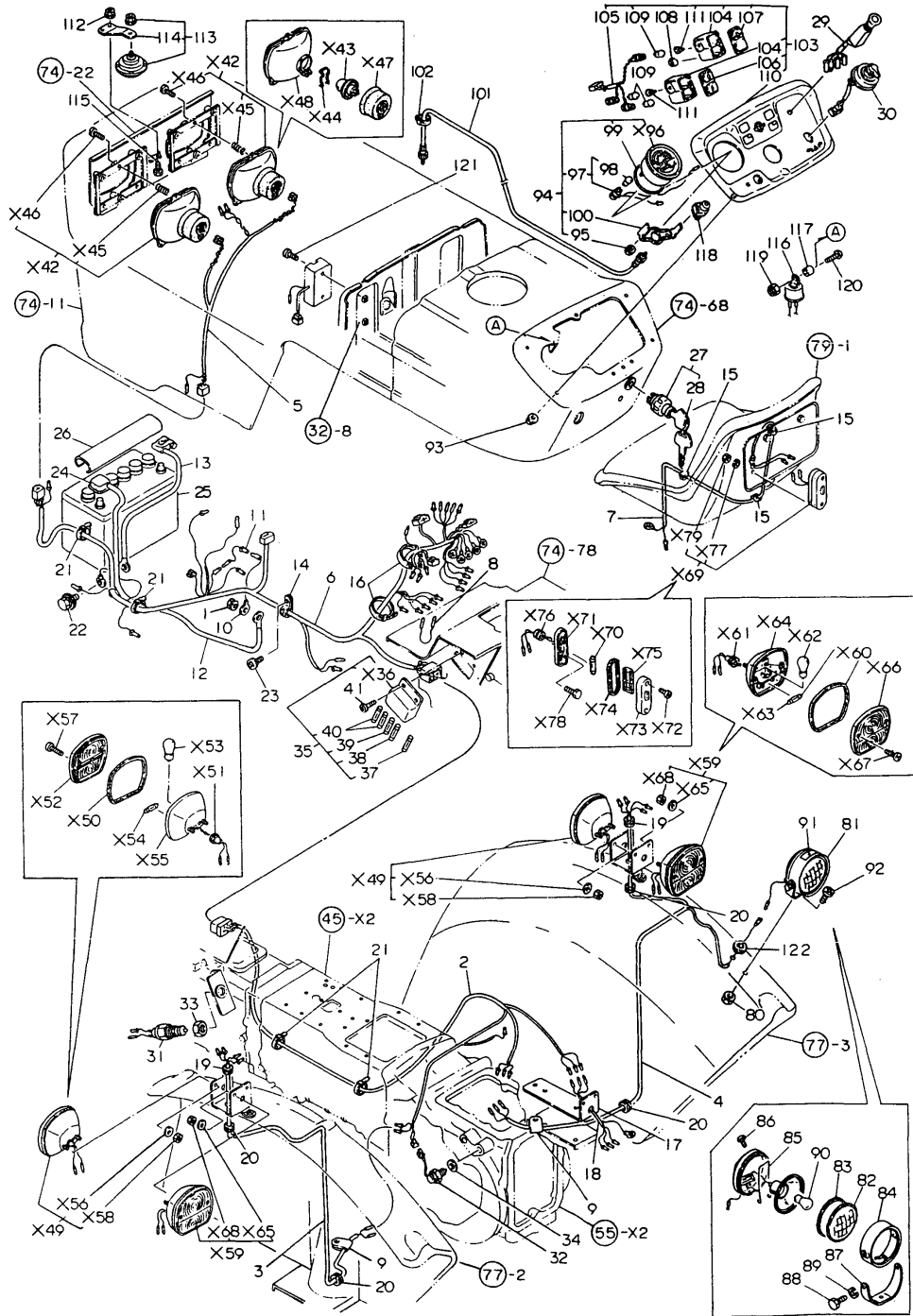
Y00T2321 70. ELECTRIC PARTS(ENGLAND)

(A)=YM276 (D)=  
 (B)=YM276D (E)=  
 (C)= (F)=

REF.	LEV.	PARTS NO.	DESCRIPTION	QTY						I	R
				(A)	(B)	(C)	(D)	(E)	(F)		
39	2	194145-52840	FUSE 15A	1	1						
39-1	2	29411-150000 (A=T/# 20627) (B=T/# 41570)	FUSE (15A),CARTRIDGE	2	2						R
40	2	194145-52850	FUSE 20A	2	2						
40-1	2	29411-200000 (A=T/# 20627) (B=T/# 41570)	FUSE (20A),CARTRIDGE	2	2						R
41	1	26587-060202	SCREW M 6X 20	2	2						
42	1	194436-53100	LAMP ASSY, HEAD	2	2						
43	2	194436-53110	BULB 12V-45/40	2	2						1
44	2	194436-53120	CLIP	2	2						1
45	2	194436-53130	SPRING	6	6						1
46	2	194436-53140	SCREW	6	6						1
47	2	194436-53150	BOOT, RUBBER	2	2						1
48	2	*REF.70=42	BODY	2	2						1
49	1	194436-53600	LAMP, CLEARANCE	2	2						1
50	2	194436-53610	GASKET	2	2						1
51	2	194436-53620	GROMMET	2	2						1
52	2	194436-53630	LENS	2	2						1
53	2	194436-53640	BULB 12V-21W	2	2						1
54	2	194436-53650	BULB 12V-4W	2	2						1
55	2	194436-53660	BODY	2	2						1
56	2	194436-53670	WASHER 5	4	4						1
57	2	26557-040202	SCREW M 4X 20	4	4						1
58	2	26716-050002	NUT M 5	4	4						1
59	1	194436-53700	LAMP, CLEARANCE	2	2						1
60	2	194436-53610	GASKET	2	2						1
61	2	194436-53620	GROMMET	2	2						1
62	2	194436-53640	BULB 12V-21W	2	2						1
63	2	194436-53650	BULB 12V-4W	2	2						1
64	2	194436-53660	BODY	2	2						1
65	2	194436-53670	WASHER 5	4	4						1
66	2	194436-53710	LENS	2	2						1
67	2	26557-040202	SCREW M 4X 20	4	4						1
68	2	26716-050002	NUT M 5	4	4						1
69	1	194436-53800	LAMP, LICENSE	1	1						1
70	2	194436-53650	BULB 12V-4W	1	1						1
71	2	194436-53810	BODY	1	1						1
72	2	194436-53820	SCREW	1	1						1
73	2	*REF.70=69	COVER	1	1						1
74	2	*REF.70=69	GASKET	1	1						1
75	2	*REF.70=69	LENS	1	1						1
76	2	*REF.70=69	GROMMET	1	1						1
77	2	22217-050000	SPRING WASHER 5	2	2						1
78	2	26116-050162	BOLT M 5X 16 PLATED	2	2						1
79	2	26716-050002	NUT M 5	2	2						1
80	1	194990-22050	NUT W/WASHER 8	1	1						1
81	1	794081-54101	LAMP ASSY, WORKING	1	1						1
82	2	194081-54110	LENS	1	1						1
83	2	194081-54120	GASKET	1	1						1
84	2	194081-54131	RIM	1	1						1
85	2	194081-53151	SPRING	1	1						1
86	2	194081-54210	SCREW	1	1						1
87	2	194081-54221	STAY	1	1						1
88	2	194081-54230	BOLT M6X 12	2	2						1

++ CONTINUE ++

Fig. 70 ELECTRIC PARTS (ENGLAND)



X-MARK PARTS : NOT SOLD SEPARATELY

Y00T2321 70. ELECTRIC PARTS(ENGLAND)

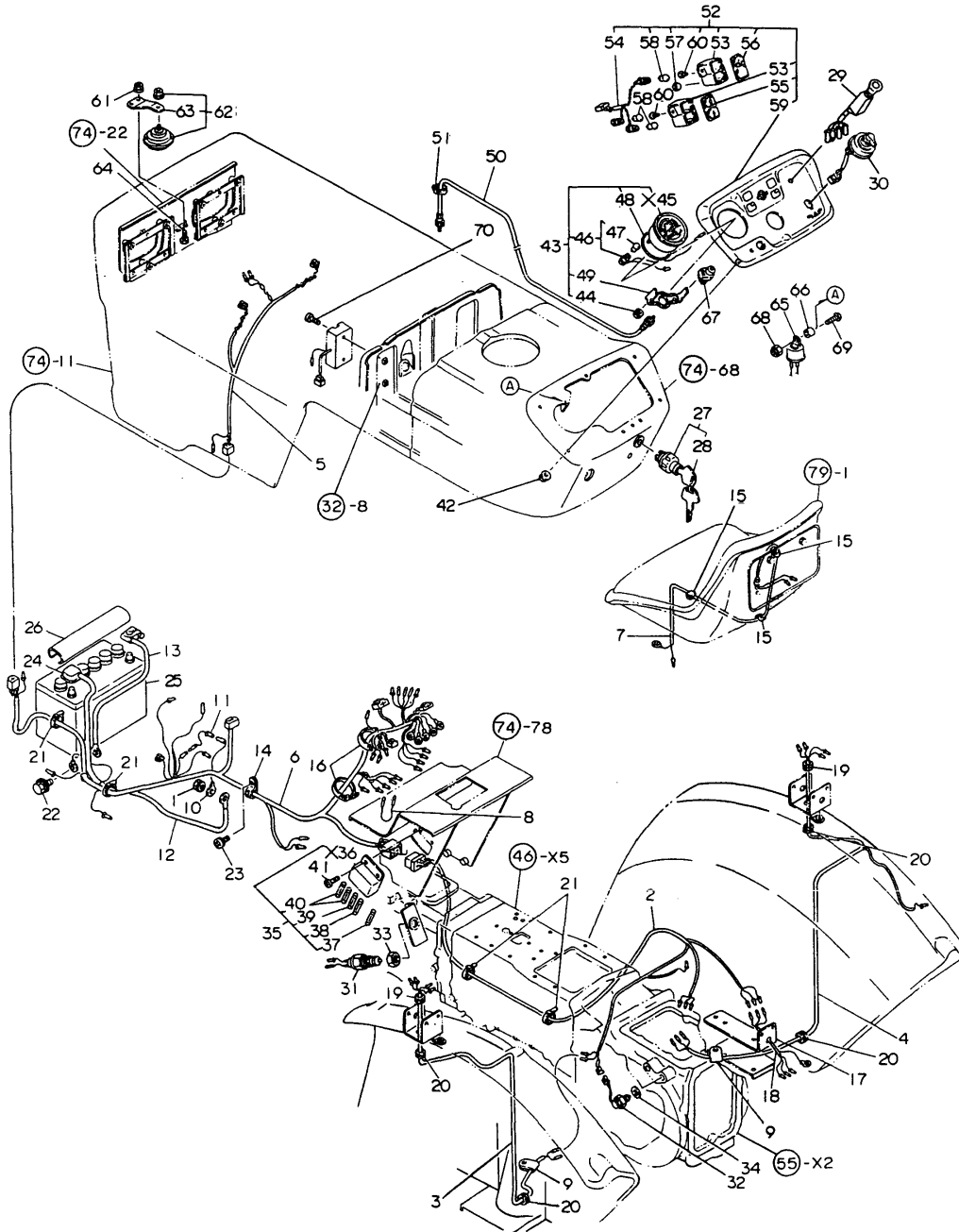
(A)=YM276 (D)=  
 (B)=YM276D (E)=  
 (C)= (F)=

REF.	LEV.	PARTS NO.	DESCRIPTION	QTY						I	R
				(A)	(B)	(C)	(D)	(E)	(F)		
89	2	194081-54240	SPRING WASHER 6	2	2						
90	2	194081-55820	BULB 12V-20W	1	1						
91	1	194240-65370	LABEL, WORK LAMP	1	1						
92	1	26587-080162	SCREW M 8X 16	1	1						
93	1	194990-22030	NUT W/WASHER 5	6	6						
94	1	194170-56100	HOUR-METER ASSY	1	1						
95	2	194990-22030	NUT W/WASHER 5	2	2						
97	2	194170-56130	CORD W/BULB 12V-1.7W	1	1						
98	3	194155-55820	BULB 12V-1.7W	1	1						
99	2	194080-56150	RUBBER	1	1						
100	2	194170-56170	FITTINGS	1	1						
101	1	194275-56900	CABLE, HOUR-METER	1	1						
102	1	121750-59890	RETAINER	1	1						
103	1	194170-61600	DASHBOARD ASSY	1	1						
104	2	194170-55120	BOX, PILOT	2	2						
105	2	194170-55130	CORD	1	1						
106	2	194170-55150	LENS (A)	1	1						
107	2	194170-55160	LENS (B)	1	1						
108	2	194170-55170	COVER	1	1						
109	2	194155-55820	BULB 12V-1.7W	3	3						
110	2	194170-61610	PANEL, DASHBOARD	1	1						
111	2	22857-400120	SCREW 4X12	4	4						
112	1	194990-22040	NUT W/WASHER 6	2	2						
113	1	194340-57100	HORN ASSY	1	1						
114	2	194340-57110	BRACKET	1	1						
115	1	26116-060122	BOLT M 6X 12	2	2						
116	1	194080-57202	RELAY	1	1						
117	1	194151-57210	SPACER	1	1						
118	1	194464-57250	RELAY, LAMP CHECK	1	1						
119	1	26346-050002	U-NUT M 4 PLATED	1	1						
120	1	26557-050162	SCREW M 5X 16	1	1						
121	1	26557-060122	SCREW M 6X 12,PAN HD	2	2						

Fig. 71 ELECTRIC PARTS (SCANDINAVIA)

Y00T2321 71. ELECTRIC PARTS(SCANDINAVIA)

(A)=YM276 (D)=  
 (B)=YM276D (E)=  
 (C)= (F)=



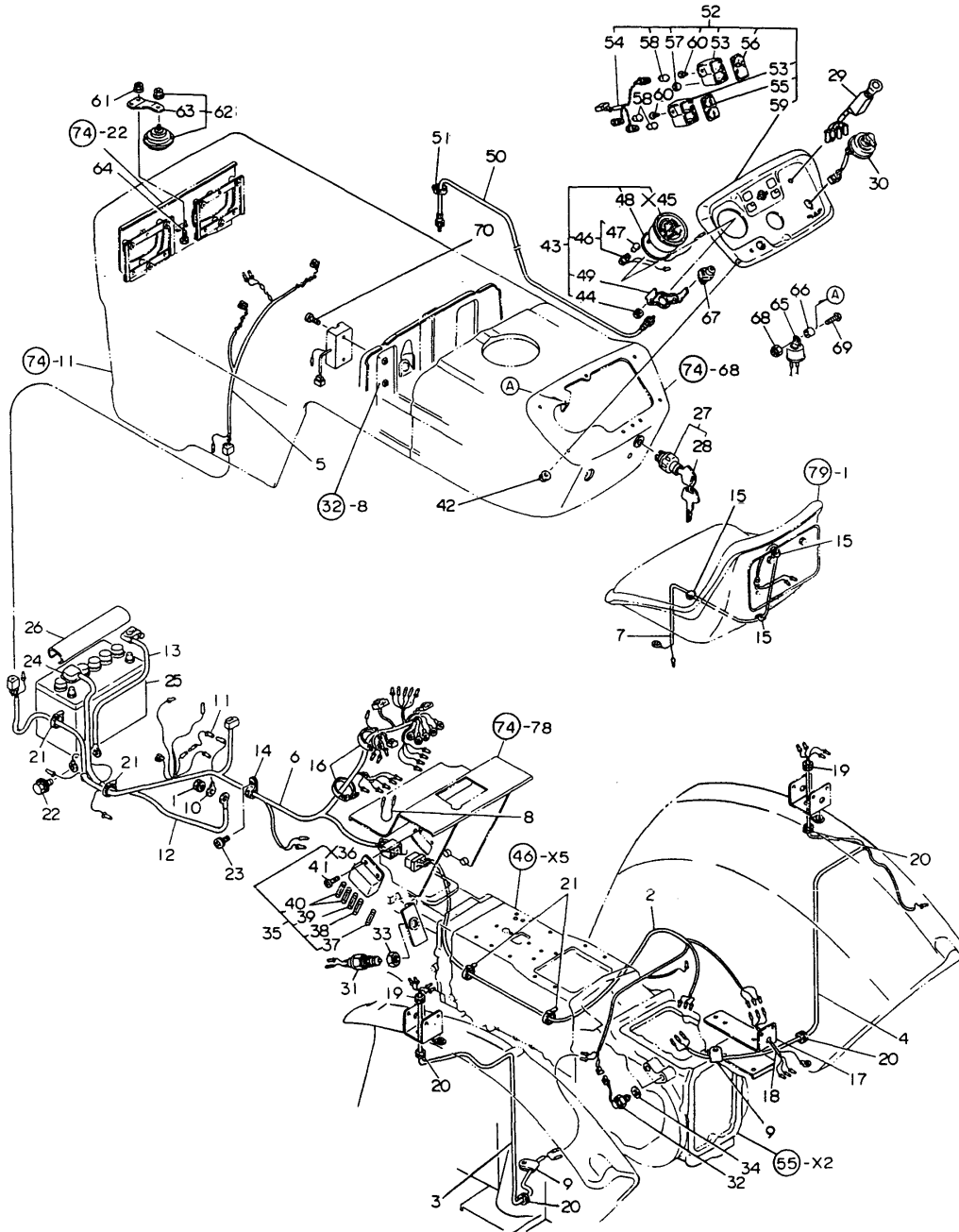
REF.	LEV.	PARTS NO.	DESCRIPTION	QTY						I	R
				(A)	(B)	(C)	(D)	(E)	(F)		
1	1	194990-22050	NUT W/WASHER 8	1	1						
2	1	194172-51120	HARNESS (B), WIRE	1	1						
3	1	194324-51131	HARNESS (C), WIRE	1	1						
4	1	194324-51141	HARNESS (D), WIRE	1	1						
5	1	194324-51151	HARNESS (E), WIRE	1	1						
6	1	194172-51160	HARNESS (A), WIRE	1	1						
7	1	194436-51160	HARNESS, LAMP	1	1						
8	1	194446-51160	WIRE, LEAD	1	1						
9	1	194145-51180	PLATE, EARTH	2	2						
10	1	194312-51210	WIRE, MAIN LEAD	1	1						
11	1	194550-51220	LINK, FUSIBLE 0.85RED	1	1						
12	1	194080-51411	CABLE, BATTERY	1	1						
13	1	194420-51420	CABLE, BATTERY EARTH	1	1						
14	1	194440-51630	CLAMP, WIRE HARNESS	1	1						
15	1	194242-51660	CLAMP, WIRE HARNESS	3	3						
16	1	194250-51660	BAND 250	2	2						
17	1	194270-51701-X	BRACKET, SOCKET	1	1						
18	1	194240-51820	HARNESS, SOCKET	1	1						
19	1	194448-58811	GROMMET 15	2	2						
20	1	194080-58820	GROMMET 15	4	4						
21	1	121750-59890	RETAINER	4	4						
22	1	26014-060122	BOLT M 6X 12	1	1						
23	1	26022-060142	SCREW M 6X 14	1	1						
24	1	194080-51430	INSULATOR	1	1						
25	1	194240-51501	BATTERY (N70Z-TP)	1	1						
26	1	194150-51550	COVER, BATTERY	1	1						
27	1	194322-52110	SWITCH, STARTING	1	1						
28	2	194155-52190	KEY	2	2						
29	1	194240-52120	SWITCH, LIGHTING	1	1						
30	1	194170-52130	SWITCH, TURN SIGNAL	1	1						
31	1	194440-52190	SWITCH, SAFETY START	1	1						
32	1	194464-52190	SWITCH, SAFETY START	1	1						
33	1	194324-52210	LOCK NUT 22	1	1						
34	1	23414-180023	GASKET 18	1	1						
35	1	194240-52400	BOX ASSY, FUSE	1	1						
37	2	194145-52820	FUSE 5A	1	1						
38	2	194145-52830	FUSE 10A	1	1						
39	2	194145-52840	FUSE 15A	1	1						
40	2	194145-52850	FUSE 20A	2	2						
41	1	26587-060202	SCREW M 6X 20	2	2						
42	1	194990-22030	NUT W/WASHER 5	6	6						
43	1	194170-56100	HOUR-METER ASSY	1	1						
44	2	194990-22030	NUT W/WASHER 5	2	2						
46	2	194170-56130	CORD W/BULB 12V-1.7W	1	1						
47	3	194155-55820	BULB 12V-1.7W	1	1						
48	2	194080-56150	RUBBER	1	1						
49	2	194170-56170	FITTINGS	1	1						
50	1	194275-56900	CABLE, HOUR-METER	1	1						
51	1	121750-59890	RETAINER	1	1						
52	1	194170-61600	DASHBOARD ASSY	1	1						
53	2	194170-55120	BOX, PILOT	2	2						
54	2	194170-55130	CORD	1	1						
55	2	194170-55150	LENS (A)	1	1						
56	2	194170-55160	LENS (B)	1	1						

++ CONTINUE ++

Fig. 71 ELECTRIC PARTS (SCANDINAVIA)

Y00T2321 71. ELECTRIC PARTS(SCANDINAVIA)

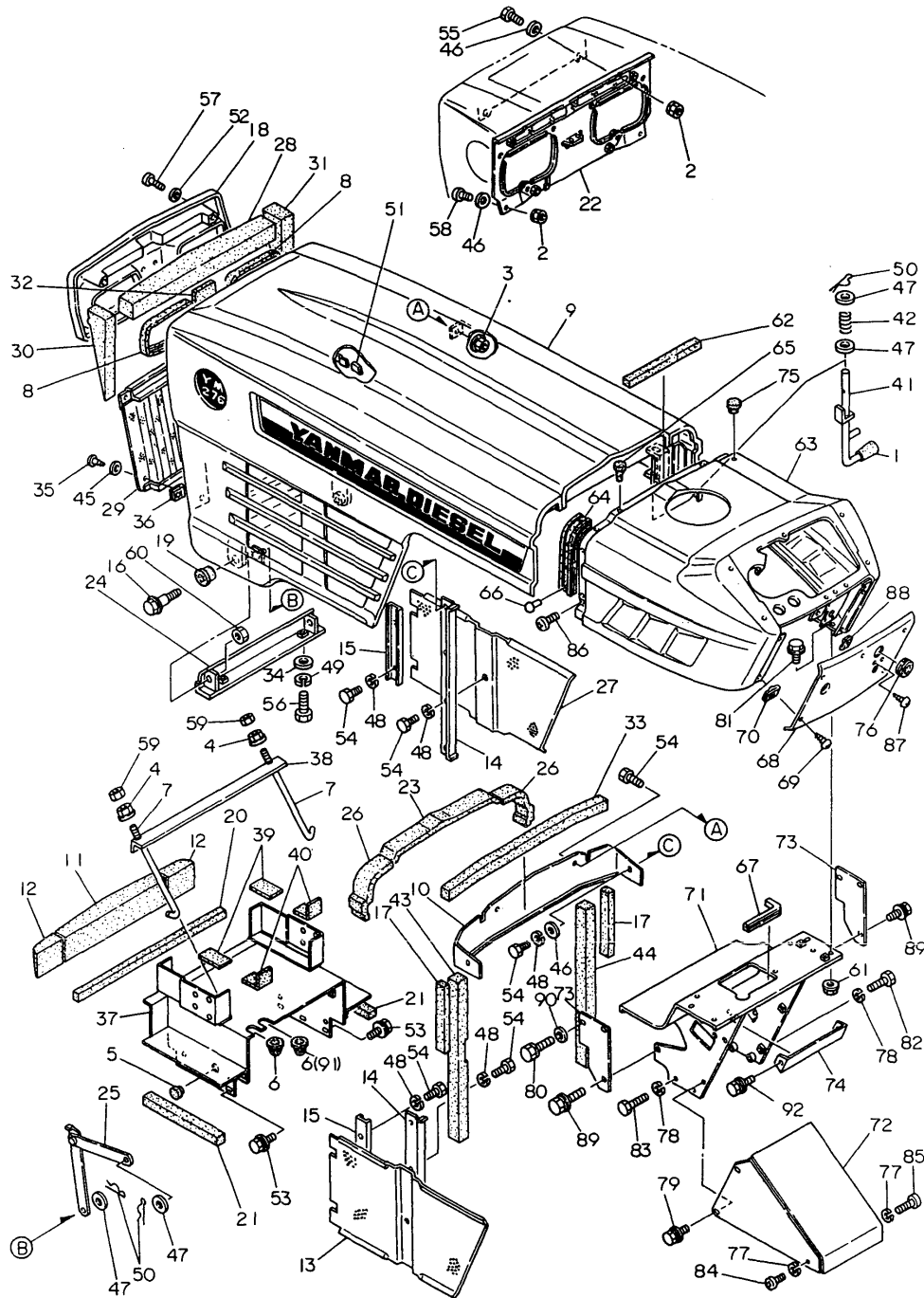
(A)=YM276 (D)=  
 (B)=YM276D (E)=  
 (C)= (F)=



REF.	LEV.	PARTS NO.	DESCRIPTION	QTY						I	R
				(A)	(B)	(C)	(D)	(E)	(F)		
57	2	194170-55170	COVER	1	1						
58	2	194155-55820	BULB 12V-1.7W	3	3						
59	2	194170-61610	PANEL, DASHBOARD	1	1						
60	2	22857-400120	SCREW 4X12	4	4						
61	1	194990-22040	NUT W/WASHER 6	2	2						
62	1	194340-57100	HORN ASSY	1	1						
63	2	194340-57110	BRACKET	1	1						
64	1	26116-060122	BOLT M 6X 12	2	2						
65	1	194080-57202	RELAY	1	1						
66	1	194151-57210	SPACER	1	1						
67	1	194464-57250	RELAY, LAMP CHECK	1	1						
68	1	26346-050002	U-NUT M 4 PLATED	1	1						
69	1	26557-050162	SCREW M 5X 16	1	1						
70	1	26557-060122	SCREW M 6X 12,PAN HD	2	2						

Fig. 72 HOOD (USA & SOUTH AFRICA)

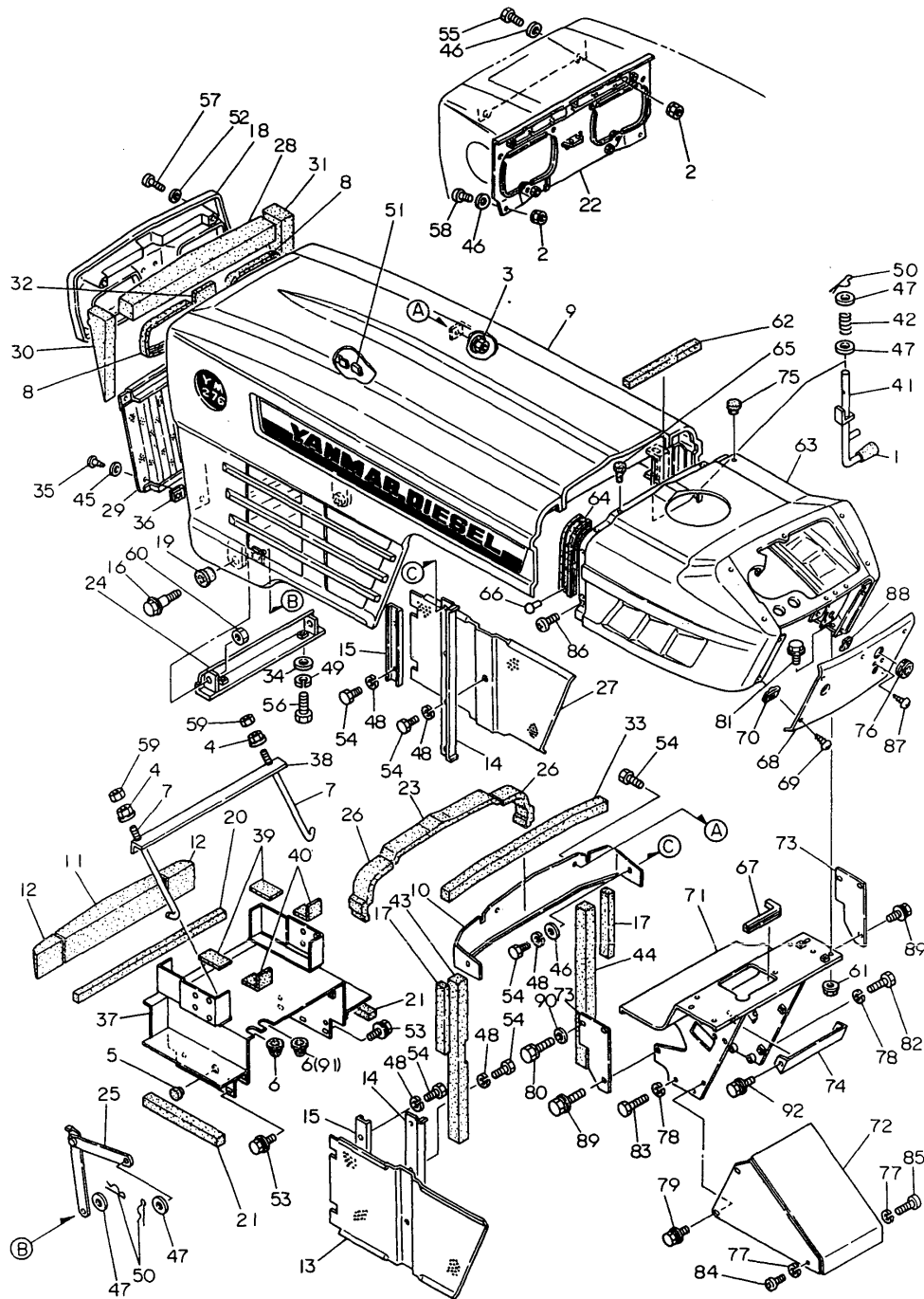
(A)=YM276 (D)=  
 (B)=YM276D (E)=  
 (C)= (F)=



REF.	LEV.	PARTS NO.	DESCRIPTION	QTY						I	R
				(A)	(B)	(C)	(D)	(E)	(F)		
1	1	194150-01190	KNOB, THROTTLE LEVER	2	2						
2	1	194990-22040	NUT W/WASHER 6	4	4						
3	1	194990-22130	NUT W/WASHER 6	2	2						
4	1	194990-22140	NUT W/WASHER 8	2	2						
5	1	192060-46110	CAP, RUBBER	1	1						
6	1	194275-51210	GROMMET 25	2	2						
6-1	1	194275-51210	GROMMET 25	1	1						K
		(A=T/# 20161) (B=T/# 40214)									
6-2	1	194275-51210	GROMMET 25	1	1						Z
		(A=FXXXXX) (B=FXXXXX)									
7	1	194145-51570	ROD, BATTERY CLAMP	2	2						
8	1	194275-53350	HOOD, HEAD LAMP	2	2						
9	1	194170-61100-R	HOOD	1	1						
10	1	194145-61162	PLATE, AIR CUT	1	1						
11	1	194322-61160	PAD	1	1						
11-1	1	194322-61360	PAD, (RUBBER)	1	1						N
		(A=T/# 20493) (B=T/# 41002)									
12	1	194322-61181	PAD (RUBBER)	2	2						
12-1	1	194250-61480	PAD, (RUBBER)	2	2						N
		(A=T/# 20493) (B=T/# 41002)									
13	1	194322-61190-X	SCREEN (L)	1	1						
13-1	1	194322-61190-R	SCREEN (L)	1	1						N
		(A=FXXXXX) (B=FXXXXX)									
14	1	194170-61210	HOLDER, SCREEN	2	2						
14-1	1	194170-61210-R	HOLDER, SCREEN	2	2						N
		(A=FXXXXX) (B=FXXXXX)									
15	1	194145-61242	HOLDER, SCREEN	2	2						
15-1	1	194145-61242-R	HOLDER, SCREEN	2	2						N
		(A=FXXXXX) (B=FXXXXX)									
16	1	194155-61241	BOLT, HINGE	2	2						
17	1	194167-61240	PAD, (RUBBER)	2	2						
18	1	194145-61252-Q	GRILLE, FRONT	1	1						
19	1	194155-61251	BUSH, HINGE	2	2						
20	1	194322-61260	PAD, (RUBBER)	1	1						
21	1	194170-61270	PAD, (RUBBER)	2	2						
22	1	194370-61280-R	BRACKET	1	1						
22-1	1	194324-61280-R	BRACKET	1	1						N
		(A=T/# 20430) (B=T/# 40849)									
23	1	194322-61310	PAD (F)	1	1						
23-1	1	194446-61940	PAD, (RUBBER)	1	1						N
		(A=*1980.12) (B=*1980.12)									
24	1	194145-61322-X	HINGE, HOOD	1	1						
25	1	194322-61330-U	STOPPER, HOOD	1	1						
26	1	194322-61340	PAD, (RUBBER)	2	2						
27	1	194322-61350	SCREEN, R	1	1						
27-1	1	194322-61350-R	SCREEN (R)	1	1						N
		(A=FXXXXX) (B=FXXXXX)									
28	1	194322-61360	PAD, (RUBBER)	1	1						
29	1	194370-61371-Q	GRILLE, FRONT	1	1						
30	1	194322-61380	PAD, (RUBBER)	1	1						
31	1	194322-61390	PAD, (RUBBER)	1	1						
32	1	194322-61430	PAD, (RUBBER)	1	1						
33	1	194170-61480	PAD, (RUBBER)	1	1						
34	1	194145-61570	WASHER 10	2	2						

++ CONTINUE ++

Fig. 72 HOOD (USA & SOUTH AFRICA)



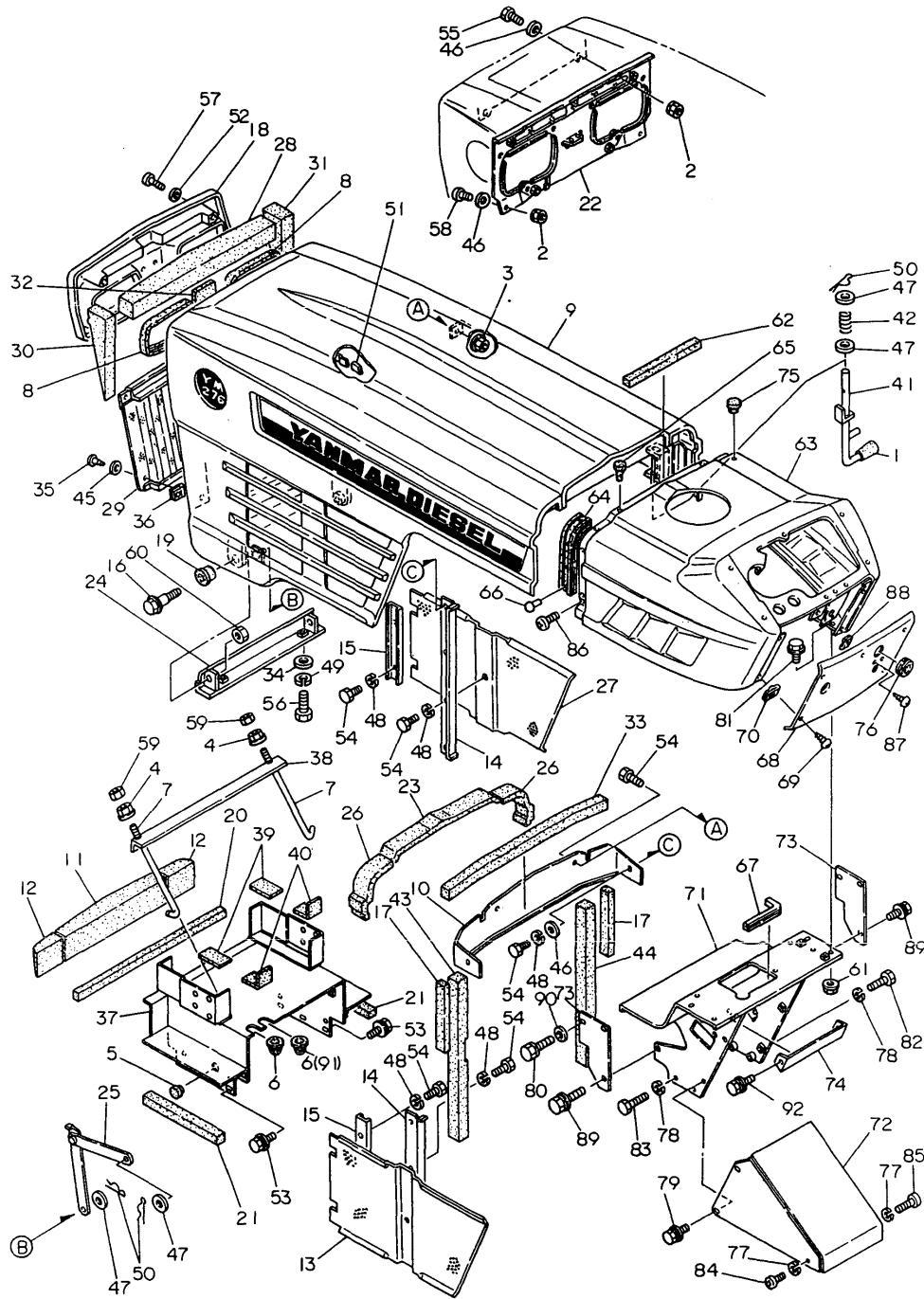
Y00T2321 72. HOOD(USA & SOUTH AFRICA)

(A)=YM276 (D)=  
 (B)=YM276D (E)=  
 (C)= (F)=

REF.	LEV.	PARTS NO.	DESCRIPTION	QTY						I	R
				(A)	(B)	(C)	(D)	(E)	(F)		
35	1	194145-61640	SCREW M 5X 16	2	2						
35-1	1	194420-61640 (A=*1981.04)	SCREW M 5X 16 (B=*1981.04)	2	2						N
36	1	194145-61650	NUT M5	2	2						
37	1	194170-61700-X	COVER, DUST	1	1						
38	1	194190-61750	CLAMP, BATTERY	1	1						
39	1	194190-61761	RUBBER, CUSHION	2	2						
40	1	194190-61780	RUBBER, CUSHION	2	2						
41	1	194145-61821	LEVER, LOCK	2	2						
42	1	194151-61831	SPRING	2	2						
43	1	194170-61980	PAD, (RUBBER)	1	1						
44	1	194446-61981	PAD, (RUBBER)	1	1						
45	1	22137-050000 (A=FXXXXX)	WASHER 5, POLISHED (B=FXXXXX)	2	2						Z
46	1	22137-060000	WASHER 6, POLISHED	6	6						
46-1	1	22137-060000 (A=T/# 20430)	WASHER 6, POLISHED (B=T/# 40844)	4	4						K
47	1	22137-100000	WASHER 10, POLISHED	6	6						
48	1	22217-060000	SPRING WASHER 6	12	12						
48-1	1	22217-060000 (A=T/# 20648)	SPRING WASHER 6 (B=T/# 41690)	12	12						Z
49	1	22217-100000 (A=*1982.07)	SPRING WASHER 10 (B=*1982.07)	2	2						Z
50	1	22360-100000	SNAP PIN 10	4	4						
51	1	23061-070035	PIPE 7X 35	3	3						
52	1	23418-050000	GASKET 5, NYLON	4	4						
53	1	26014-080162	BOLT M 8X 16	6	6						
54	1	26116-060122	BOLT M 6X 12	14	14						
54-1	1	26106-060122 (A=T/# 20648)	BOLT M 6X 12 PLATED (B=T/# 41690)	14	14						N
55	1	26116-060162	BOLT M 6X 16 PLATED	2	2						
55-1	1	26106-060162 (A=T/# 20648)	BOLT M 6X 16 PLATED (B=T/# 41690)	2	2						N
56	1	26116-100252	BOLT M10X 25 PLATED	2	2						
56-1	1	26013-100202 (A=*1982.07)	BOLT W/WASHER M10X20 (B=*1982.07)	2	2						N
57	1	26557-050202	SCREW M 5X 20	4	4						
58	1	26557-060162	SCREW M 6X 16	2	2						
58-1	1	26587-060162 (A=*1981.03)	SCREW M 6X 16 (B=*1981.03)	2	2						N
59	1	26716-080002	NUT M 8	2	2						
60	1	26716-120002	NUT M12	2	2						
61	1	194990-22140	NUT W/WASHER 8	4	4						
62	1	194464-61480	PAD, (RUBBER)	1	1						
63	1	194170-61500-R	DASHBOARD ASSY	1	1						
64	1	194145-61551	GASKET, HOOD	2	2						
65	1	194145-61560	RUBBER, CUSHION	2	2						
66	1	194190-61560	RIVET 5X6	8	8						
67	1	194420-61580	GROMMET 125	1	1						
68	1	194170-61620-R	COVER, DASHBOARD	1	1						
69	1	194420-61640	SCREW M 5X 16	5	5						
70	1	194145-61650	NUT M5	5	5						
71	1	194170-61660-X	STAY, PANEL	1	1						
72	1	194170-61670-X	COVER, GEAR BOX	1	1						

++ CONTINUE ++

Fig. 72 HOOD (USA & SOUTH AFRICA)



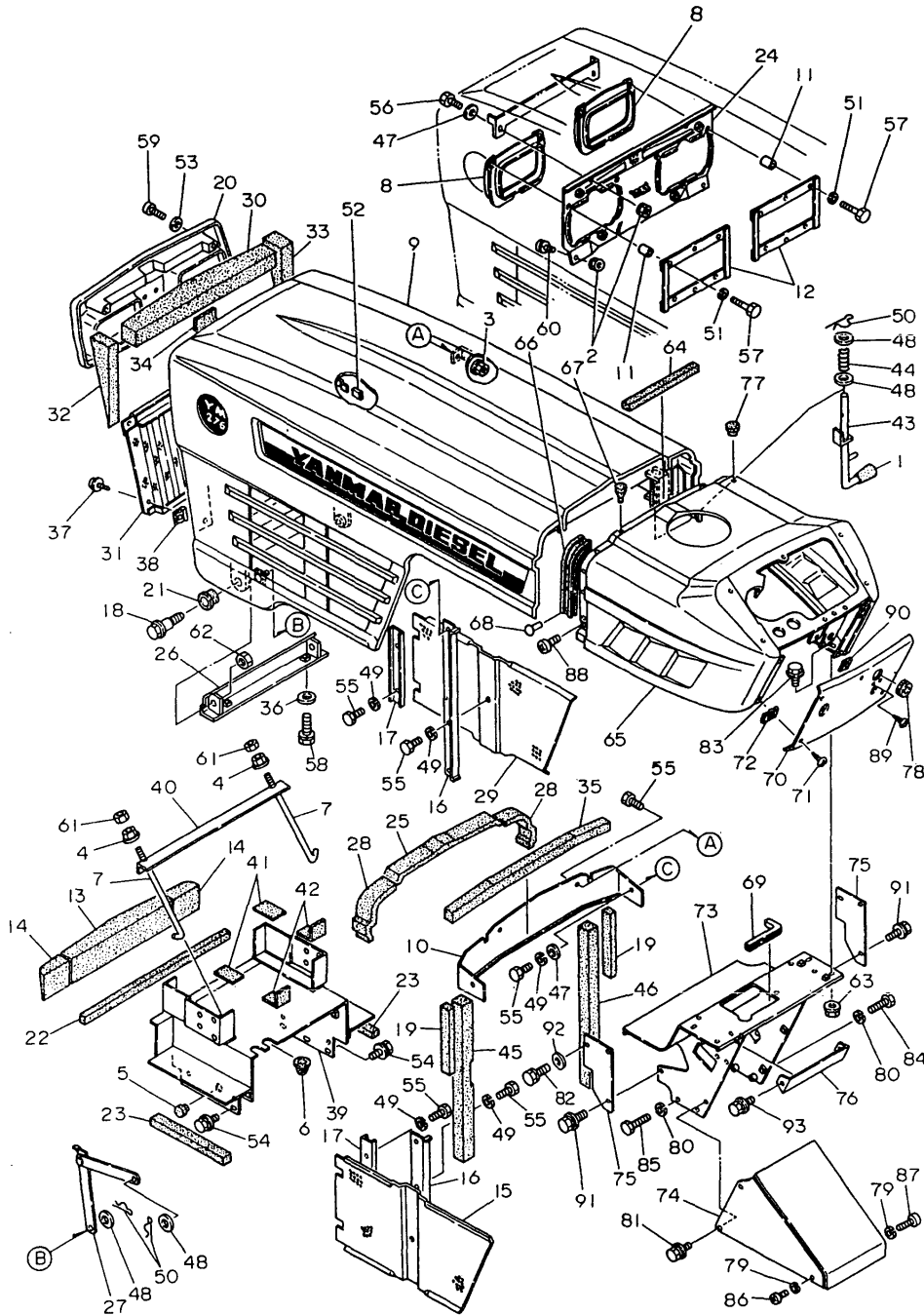
Y00T2321 72. HOOD(USA & SOUTH AFRICA)

(A)=YM276 (D)=  
 (B)=YM276D (E)=  
 (C)= (F)=

REF.	LEV.	PARTS NO.	DESCRIPTION	QTY						I	R
				(A)	(B)	(C)	(D)	(E)	(F)		
73	1	194170-61680-X	COVER	2	2						
74	1	194170-61690-X	COVER (B), GEAR BOX	1	1						
75	1	194446-62310	CAP 8, RUBBER	2	2						
75-1	1	194324-62310	CAP 4.5, RUBBER	4	4						S
		(A=T/# 20430) (B=T/# 40849)									
76	1	194145-64430	GROMMET 12	1	1						
77	1	22217-050000	SPRING WASHER 5	2	2						
78	1	22217-080000	SPRING WASHER 8	3	3						
78-1	1	22217-080000	SPRING WASHER 8	3	3						Z
		(A=T/# 20648) (B=T/# 41690)									
79	1	26014-060142	BOLT M 6X 14	4	4						
79-1	1	194155-05210	BOLT W/WASHER M6X16	4	4						N
		(A=*1982.12) (B=*1982.12)									
80	1	26013-060252	BOLT M 6X 25	1	1						
80-1	1	26106-060252	BOLT M 6X 25 PLATED	1	1						N
		(A=T/# 20648) (B=T/# 41690)									
81	1	26116-080142	BOLT M 8X 14 PLATED	4	4						
81-1	1	26116-080162	BOLT M 8X 16 PLATED	4	4						N
		(A=FXXXXX) (B=FXXXXX)									
81-2	1	26011-080162	BOLT M 8X 16	4	4						N
		(A=*1981.08) (B=*1981.08)									
81-3	1	26106-080162	BOLT M 8X 16 PLATED	4	4						N
		(A=T/# 20648) (B=T/# 41690)									
82	1	26011-080252	BOLT M 8X25	2	2						
82-1	1	26106-080252	BOLT M 8X 25 PLATED	2	2						N
		(A=T/# 20648) (B=T/# 41690)									
83	1	26116-080452	BOLT M 8X 45 PLATED	1	1						
83-1	1	26106-080452	BOLT M 8X 45 PLATED	1	1						N
		(A=T/# 20648) (B=T/# 41690)									
84	1	26557-050122	SCREW M 5X 12	1	1						
85	1	26557-050302	SCREW M 5X 30	1	1						
86	1	26587-080122	SCREW M 8X 12	2	2						
87	1	194420-61640	SCREW M 5X 16	2	2						
88	1	194145-61650	NUT M5	2	2						
89	1	26014-060142	BOLT M 6X 14	5	5						
89-1	1	194155-05210	BOLT W/WASHER M6X16	5	5						N
		(A=*1982.12) (B=*1982.12)									
90	1	22137-060000	WASHER 6, POLISHED	1	1						
91	1	194170-51210	GROMMET 25	1	1						W
		(A=T/# 20161) (B=T/# 40214)									
92	1	26013-060122	BOLT M 6X 12	2	2						
92-1	1	194155-05210	BOLT W/WASHER M6X16	2	2						N
		(A=T/# 20430) (B=T/# 40844)									

Fig. 73 HOOD (FRANCE & EUROPE)

(A)=YM276 (D)=  
 (B)=YM276D (E)=  
 (C)= (F)=



REF.	LEV.	PARTS NO.	DESCRIPTION	QTY						I	R
				(A)	(B)	(C)	(D)	(E)	(F)		
1	1	194150-01190	KNOB, THROTTLE LEVER	2	2						
2	1	194990-22040	NUT W/WASHER 6	4	4						
3	1	194990-22130	NUT W/WASHER 6	2	2						
4	1	194990-22140	NUT W/WASHER 8	2	2						
5	1	192060-46110	CAP, RUBBER	1	1						
6	1	194170-51210	GROMMET 25	1	1						
7	1	194145-51570	ROD, BATTERY CLAMP	2	2						
8	1	194324-53350	HOOD, HEAD LAMP	2	2						
9	1	194170-61100-P	HOOD	1	1						
10	1	194145-61162	PLATE, AIR CUT	1	1						
11	1	194324-53370	COLLAR 6.5X10.5X26	6	6						
12	1	194324-53360-U	STAY, LAMP	2	2						
13	1	194322-61160	PAD	1	1						
13-1	1	194322-61360	PAD, (RUBBER)	1	1						N
		(A=T/# 20493) (B=T/# 41002)									
14	1	194322-61181	PAD (RUBBER)	2	2						
14-1	1	194250-61480	PAD, (RUBBER)	2	2						N
		(A=T/# 20493) (B=T/# 41002)									
15	1	194322-61190-P	SCREEN (L)	1	1						
16	1	194170-61210-P	RETAINER(C),SCREEN	2	2						
17	1	194145-61242	HOLDER, SCREEN	2	2						
18	1	194155-61241	BOLT, HINGE	2	2						
19	1	194167-61240	PAD, (RUBBER)	2	2						
20	1	194145-61252-P	GRILLE, FRONT	1	1						
21	1	194155-61251	BUSH, HINGE	2	2						
22	1	194322-61260	PAD, (RUBBER)	1	1						
23	1	194170-61270	PAD, (RUBBER)	2	2						
24	1	194324-61280-P	BRACKET	1	1						
25	1	194446-61940	PAD, (RUBBER)	1	1						
26	1	194145-61322-X	HINGE, HOOD	1	1						
27	1	194322-61330-U	STOPPER, HOOD	1	1						
28	1	194322-61340	PAD, (RUBBER)	2	2						
29	1	194322-61350-P	SCREEN (R)	1	1						
30	1	194322-61360	PAD, (RUBBER)	1	1						
31	1	194370-61371-P	GRILLE, FRONT	1	1						
32	1	194322-61380	PAD, (RUBBER)	1	1						
33	1	194322-61390	PAD, (RUBBER)	1	1						
34	1	194322-61430	PAD, (RUBBER)	1	1						
35	1	194170-61480	PAD, (RUBBER)	1	1						
36	1	194145-61570	WASHER 10	2	2						
37	1	194420-61640	SCREW M 5X 16	2	2						
38	1	194145-61650	NUT M5	2	2						
39	1	194170-61700-X	COVER, DUST	1	1						
40	1	194190-61750	CLAMP, BATTERY	1	1						
41	1	194190-61761	RUBBER, CUSHION	2	2						
42	1	194190-61780	RUBBER, CUSHION	2	2						
43	1	194145-61821	LEVER, LOCK	2	2						
44	1	194151-61831	SPRING	2	2						
45	1	194170-61980	PAD, (RUBBER)	1	1						
46	1	194446-61981	PAD, (RUBBER)	1	1						
47	1	22137-060000	WASHER 6, POLISHED	4	4						
48	1	22137-100000	WASHER 10, POLISHED	6	6						
49	1	22217-060000	SPRING WASHER 6	12	12						
50	1	22360-100000	SNAP PIN 10	4	4						

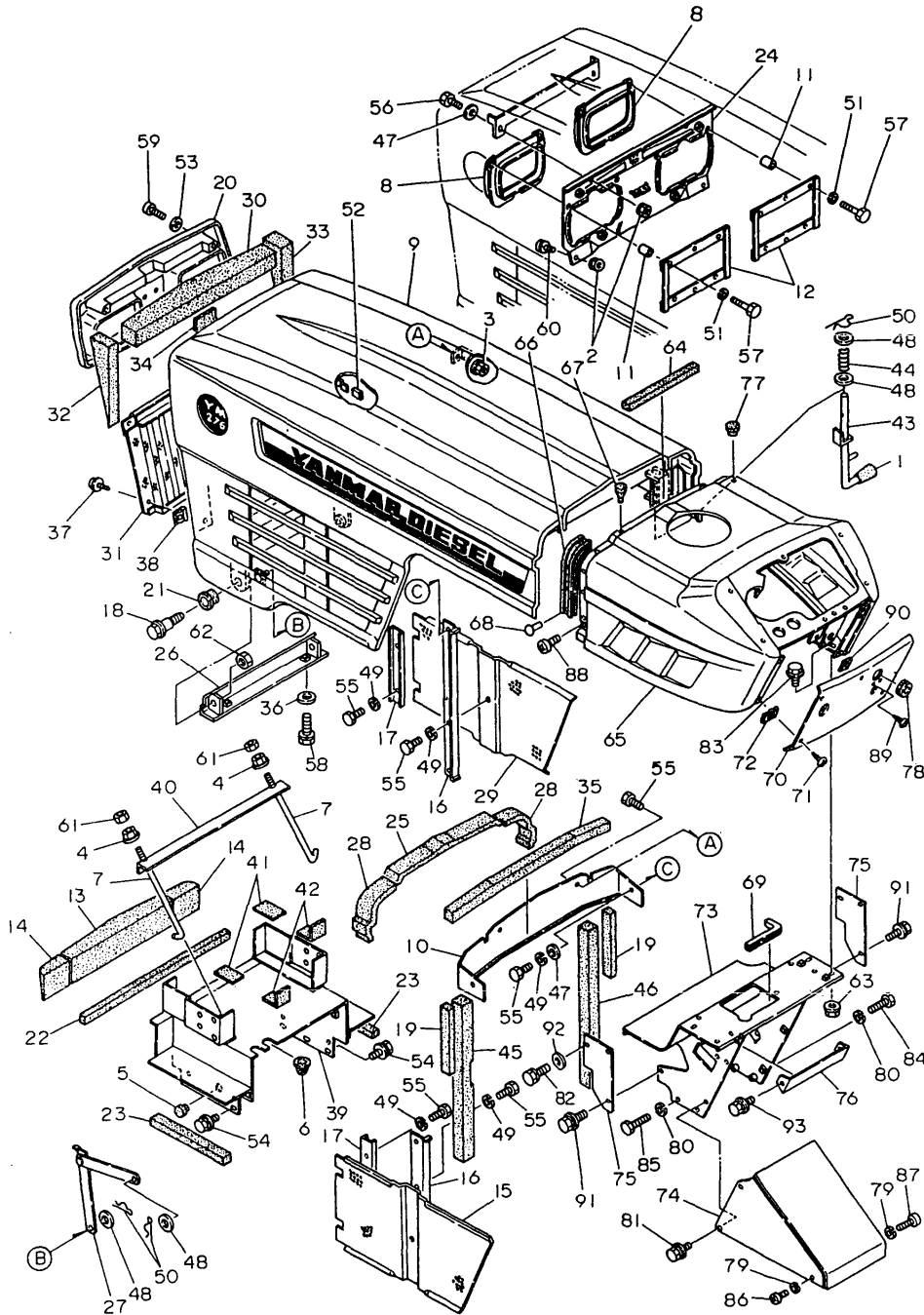
++ CONTINUE ++



Fig. 73 HOOD (FRANCE & EUROPE)

Y00T2321 73. HOOD(FRANCE & EUROPE)

(A)=YM276 (D)=  
(B)=YM276D (E)=  
(C)= (F)=



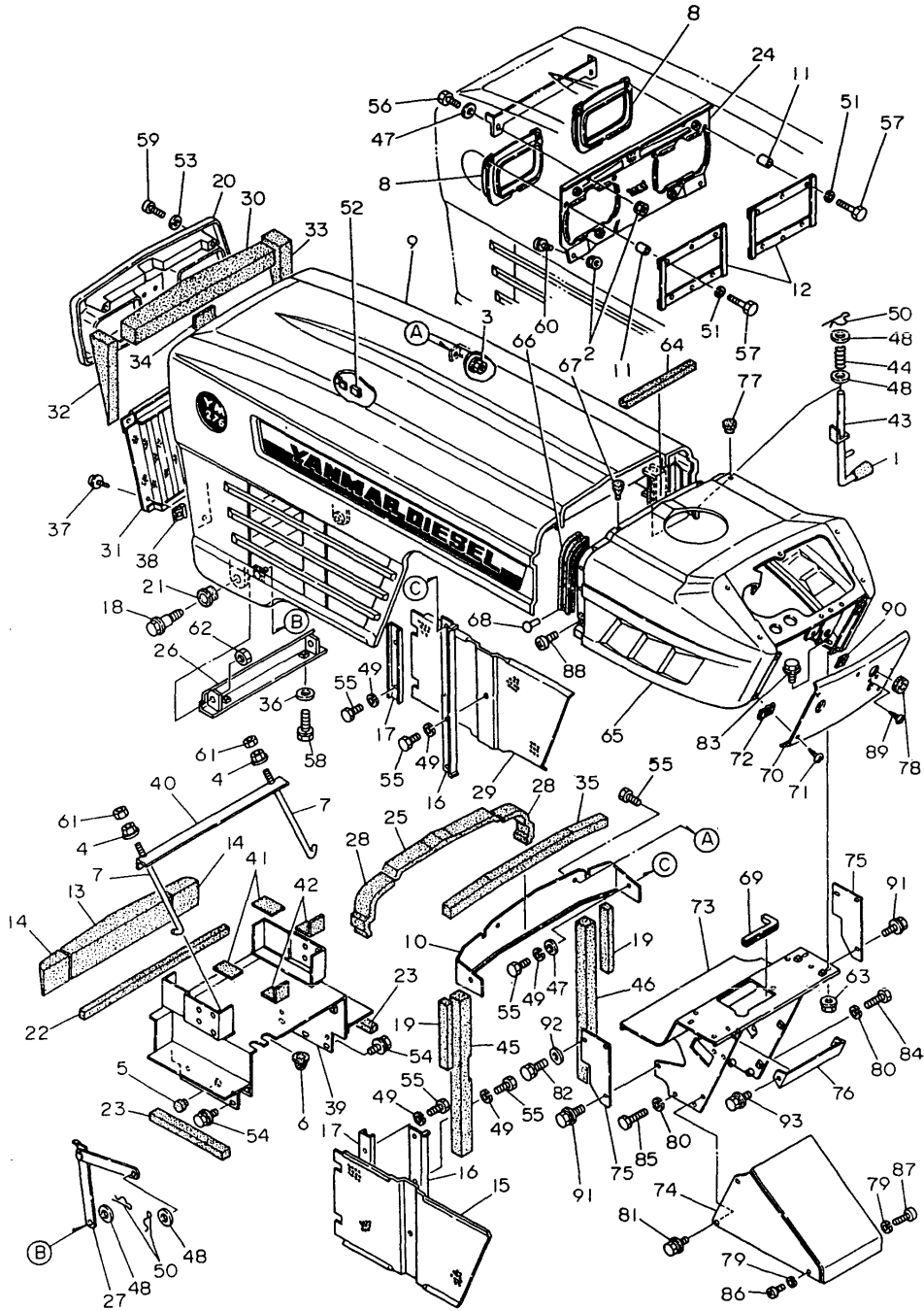
REF.	LEV.	PARTS NO.	DESCRIPTION	QTY						I	R
				(A)	(B)	(C)	(D)	(E)	(F)		
51	1	22217-050000	SPRING WASHER 5		6	6					
52	1	23061-070035	PIPE 7X 35		3	3					
53	1	23418-050000	GASKET 5, NYLON		4	4					
54	1	26014-080162	BOLT M 8X 16		6	6					
55	1	26116-060122	BOLT M 6X 12		14	14					
56	1	26116-060162	BOLT M 6X 16 PLATED		2	2					
57	1	26116-050402	BOLT M 5X 40 PLATED		6	6					
58	1	26013-100252	BOLT W/WASHER M10X25		2	2					
58-1	1	26013-100202	BOLT W/WASHER M10X20		2	2					N
		(A=*1982.07)	(B=*1982.07)								
59	1	26557-050202	SCREW M 5X 20		4	4					
60	1	26587-060162	SCREW M 6X 16		2	2					
61	1	26716-080002	NUT M 8		2	2					
62	1	26716-120002	NUT M12		2	2					
63	1	194990-22140	NUT W/WASHER 8		4	4					
64	1	194464-61480	PAD, (RUBBER)		1	1					
65	1	194170-61500-P	DASHBOARD ASSY		1	1					
66	1	194145-61551	GASKET, HOOD		2	2					
67	1	194145-61560	RUBBER, CUSHION		2	2					
68	1	194190-61560	RIVET 5X6		8	8					
69	1	194420-61580	GROMMET 125		1	1					
70	1	194170-61620-P	COVER,BOX		1	1					
71	1	194420-61640	SCREW M 5X 16		5	5					
72	1	194145-61650	NUT M5		5	5					
73	1	194170-61660-X	STAY, PANEL		1	1					
74	1	194170-61670-X	COVER, GEAR BOX		1	1					
75	1	194170-61680-X	COVER		2	2					
76	1	194170-61690-X	COVER (B), GEAR BOX		1	1					
77	1	194446-62310	CAP 8, RUBBER		2	2					
77-1	1	194324-62310	CAP 4.5, RUBBER		4	4					S
		(A=T/# 20430)	(B=T/# 40849)								
78	1	194145-64430	GROMMET 12		1	1					
79	1	22217-050000	SPRING WASHER 5		2	2					
80	1	22217-080000	SPRING WASHER 8		3	3					
81	1	26014-060142	BOLT M 6X 14		4	4					
81-1	1	194155-05210	BOLT W/WASHER M6X16		4	4					N
		(A=*1982.12)	(B=*1982.12)								
82	1	26013-060252	BOLT M 6X 25		1	1					
83	1	26116-080162	BOLT M 8X 16 PLATED		4	4					
83-1	1	26011-080162	BOLT M 8X 16		4	4					N
		(A=*1981.08)	(B=*1981.08)								
84	1	26116-080252	BOLT M 8X 25 PLATED		2	2					
85	1	26116-080452	BOLT M 8X 45 PLATED		1	1					
86	1	26557-050122	SCREW M 5X 12		1	1					
87	1	26557-050302	SCREW M 5X 30		1	1					
88	1	26587-080122	SCREW M 8X 12		2	2					
89	1	194420-61640	SCREW M 5X 16		2	2					
90	1	194145-61650	NUT M5		2	2					
91	1	26014-060142	BOLT M 6X 14		5	5					
91-1	1	194155-05210	BOLT W/WASHER M6X16		5	5					N
		(A=*1982.12)	(B=*1982.12)								
92	1	22137-060000	WASHER 6, POLISHED		1	1					
93	1	26013-060122	BOLT M 6X 12		2	2					
93-1	1	194155-05210	BOLT W/WASHER M6X16		2	2					N

++ CONTINUE ++

**Fig. 73 HOOD (FRANCE & EUROPE)**

Y00T2321 **73. HOOD(FRANCE & EUROPE)**

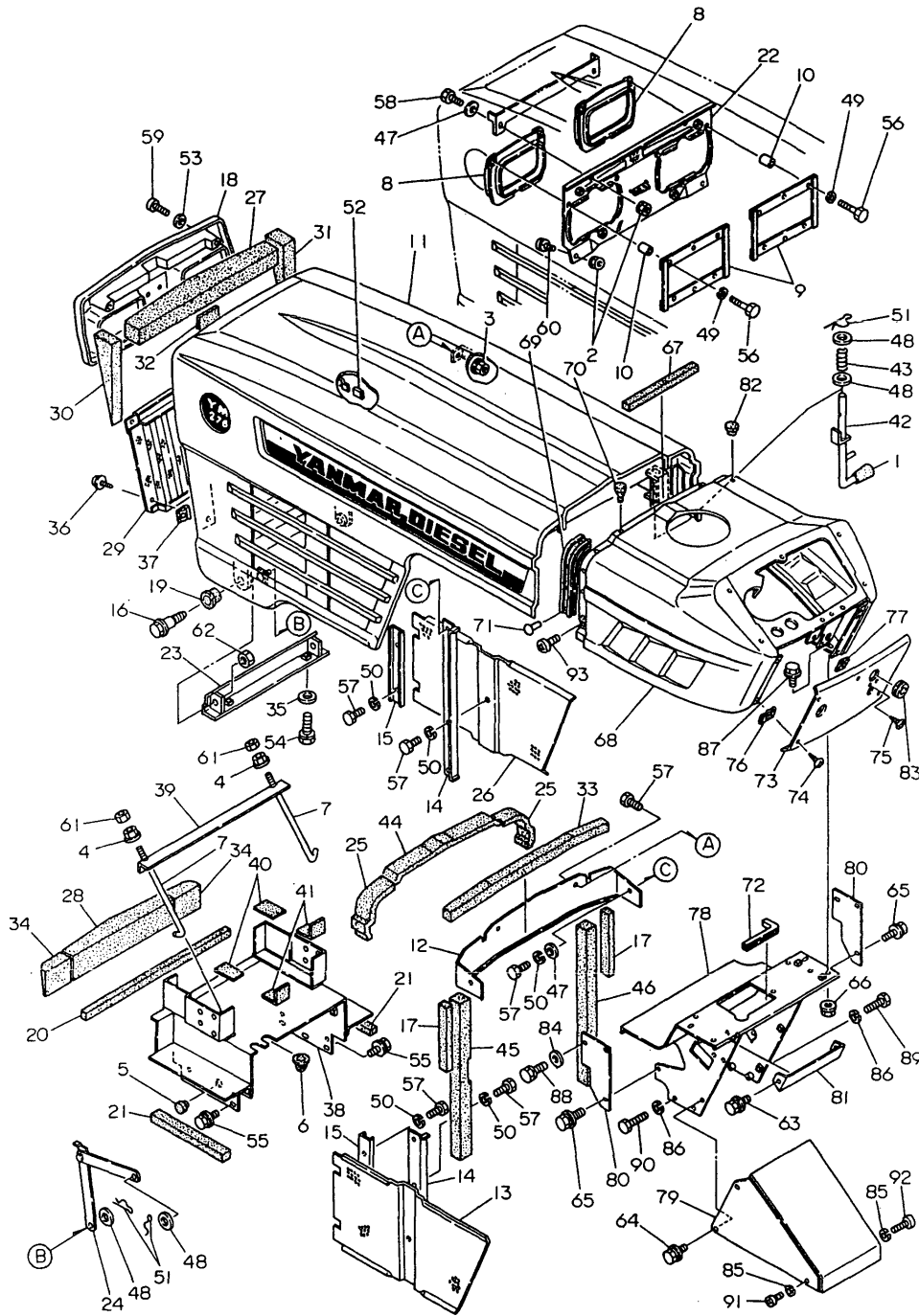
(A)=YM276 (D)=  
 (B)=YM276D (E)=  
 (C)= (F)=



REF.	LEV.	PARTS NO.	DESCRIPTION	----- QTY -----						I	R
				(A)	(B)	(C)	(D)	(E)	(F)		
		(A=T/# 20430)	(B=T/# 40844)								

Fig. 74 HOOD (ENGLAND & SCANDINAVIA)

(A)=YM276 (D)=  
 (B)=YM276D (E)=  
 (C)= (F)=

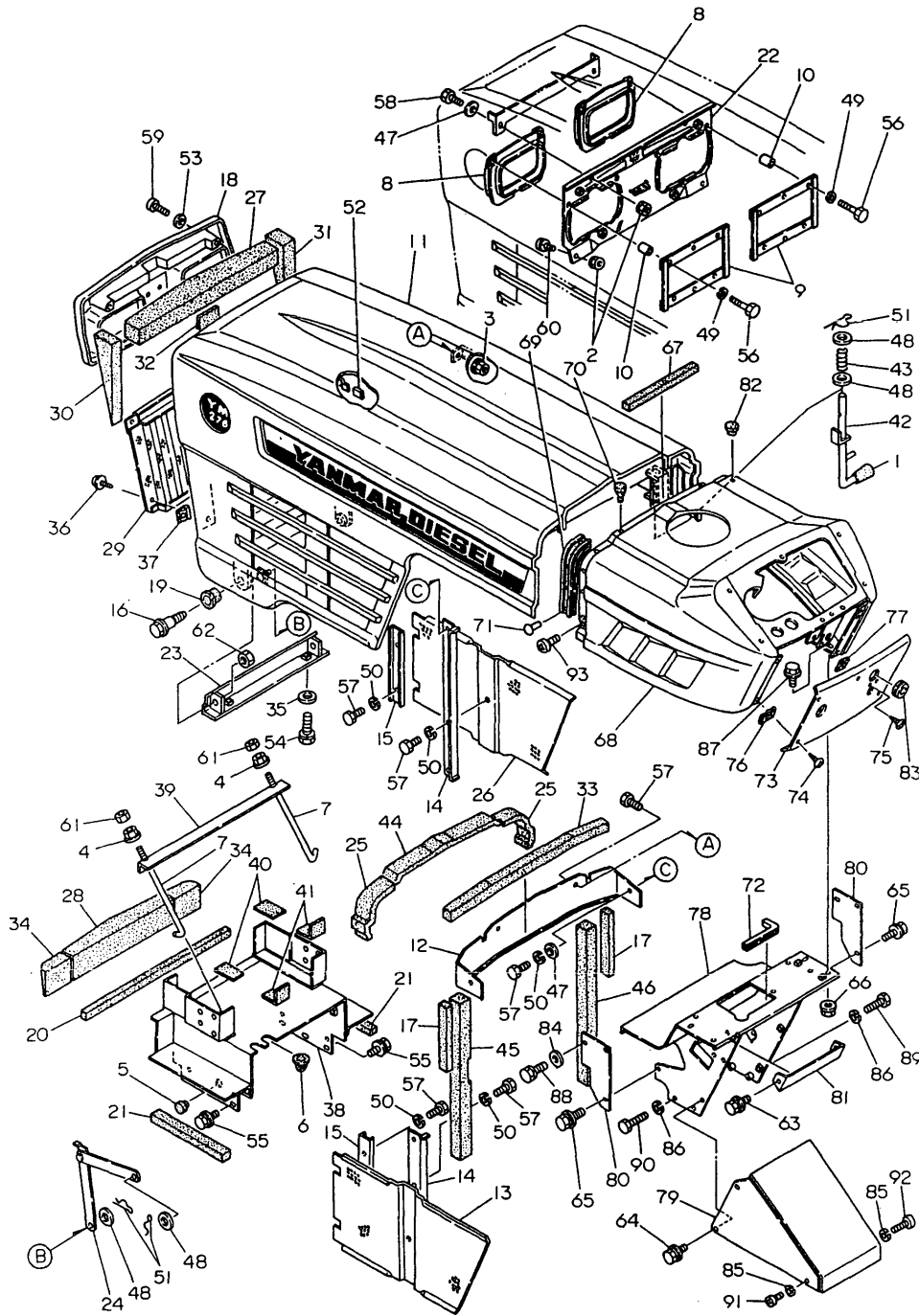


REF.	LEV.	PARTS NO.	DESCRIPTION	QTY						I	R
				(A)	(B)	(C)	(D)	(E)	(F)		
1	1	194150-01190	KNOB, THROTTLE LEVER	2	2						
2	1	194990-22040	NUT W/WASHER 6	4	4						
3	1	194990-22130	NUT W/WASHER 6	2	2						
4	1	194990-22140	NUT W/WASHER 8	2	2						
5	1	192060-46110	CAP, RUBBER	1	1						
6	1	194170-51210	GROMMET 25	1	1						
7	1	194145-51570	ROD, BATTERY CLAMP	2	2						
8	1	194324-53350	HOOD, HEAD LAMP	2	2						
9	1	194324-53360-U	STAY, LAMP	2	2						
10	1	194324-53370	COLLAR 6.5X10.5X26	6	6						
11	1	194172-61100-R	HOOD	1	1						
12	1	194145-61162	PLATE, AIR CUT	1	1						
13	1	194322-61190	SCREEN, L	1	1						
14	1	194170-61210-R	HOLDER, SCREEN	2	2						
15	1	194145-61242	HOLDER, SCREEN	2	2						
16	1	194155-61241	BOLT, HINGE	2	2						
17	1	194167-61240	PAD, (RUBBER)	2	2						
18	1	194145-61252	GRILLE(UPPER), FRONT	1	1						
19	1	194155-61251	BUSH, HINGE	2	2						
20	1	194322-61260	PAD, (RUBBER)	1	1						
21	1	194170-61270	PAD, (RUBBER)	2	2						
22	1	194324-61280-R	BRACKET	1	1						
23	1	194145-61322	HINGE, HOOD	1	1						
24	1	194322-61330-U	STOPPER, HOOD	1	1						
25	1	194322-61340	PAD, (RUBBER)	2	2						
26	1	194322-61350	SCREEN, R	1	1						
27	1	194322-61360	PAD, (RUBBER)	1	1						
28	1	194322-61360	PAD, (RUBBER)	1	1						
29	1	194370-61371	GRILLE, FRONT	1	1						
30	1	194322-61380	PAD, (RUBBER)	1	1						
31	1	194322-61390	PAD, (RUBBER)	1	1						
32	1	194322-61430	PAD, (RUBBER)	1	1						
33	1	194170-61480	PAD, (RUBBER)	1	1						
34	1	194250-61480	PAD, (RUBBER)	2	2						
35	1	194145-61570	WASHER 10	2	2						
36	1	194420-61640	SCREW M 5X 16	2	2						
37	1	194145-61650	NUT M5	2	2						
38	1	194170-61700-X	COVER, DUST	1	1						
39	1	194190-61750	CLAMP, BATTERY	1	1						
40	1	194190-61761	RUBBER, CUSHION	2	2						
41	1	194190-61780	RUBBER, CUSHION	2	2						
42	1	194145-61821	LEVER, LOCK	2	2						
43	1	194151-61831	SPRING	2	2						
44	1	194446-61940	PAD, (RUBBER)	1	1						
45	1	194170-61980	PAD, (RUBBER)	1	1						
46	1	194446-61981	PAD, (RUBBER)	1	1						
47	1	22137-060000	WASHER 6, POLISHED	4	4						
47-1	1	22137-060000	WASHER 6, POLISHED	4	4						K
48	1	22137-100000	WASHER 10, POLISHED	6	6						
49	1	22217-050000	SPRING WASHER 5	6	6						
50	1	22217-060000	SPRING WASHER 6	12	12						
51	1	22360-100000	SNAP PIN 10	4	4						
52	1	23061-070035	PIPE 7X 35	3	3						
53	1	23418-050000	GASKET 5, NYLON	4	4						

++ CONTINUE ++

Fig. 74 HOOD (ENGLAND & SCANDINAVIA)

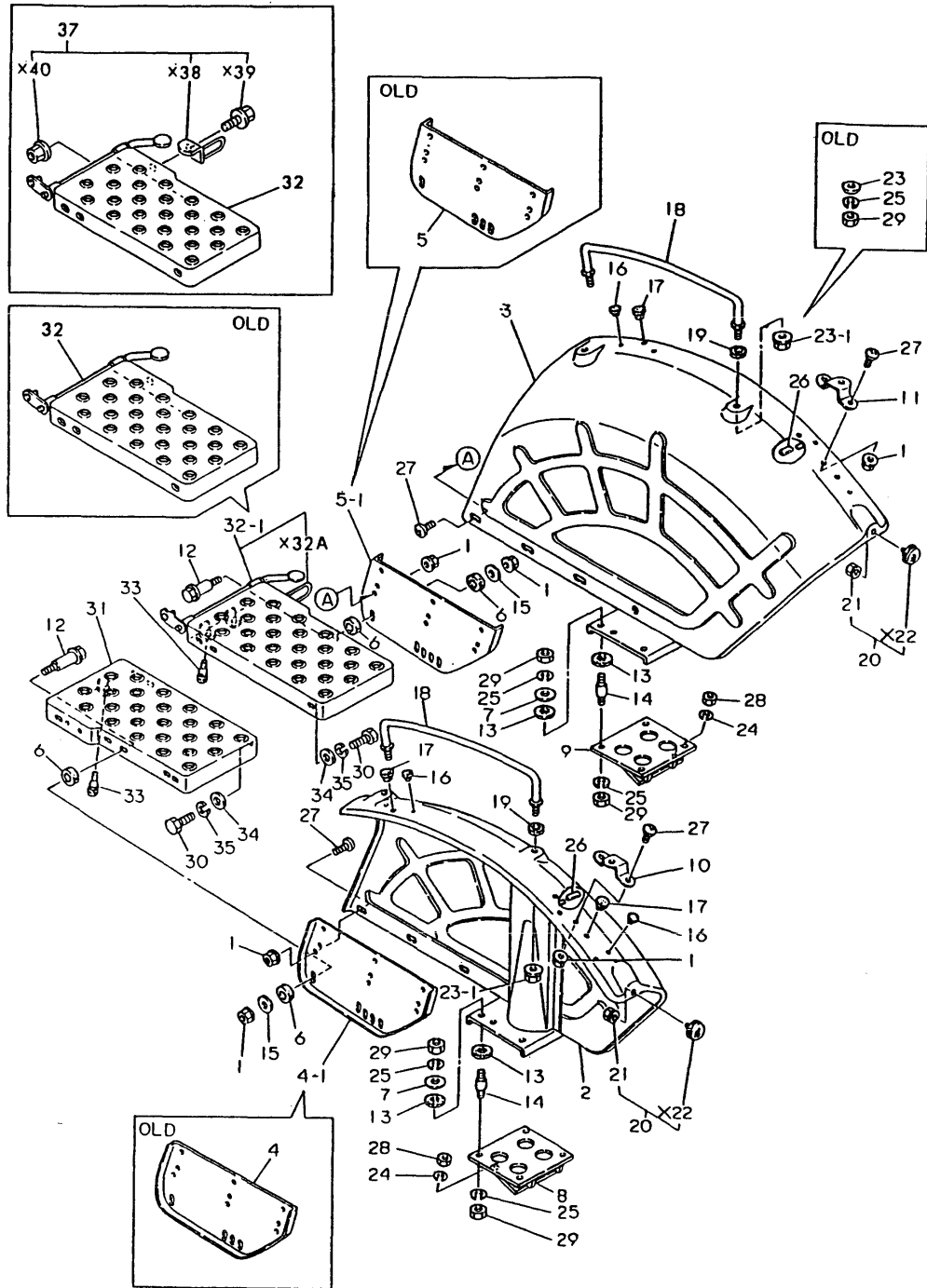
(A)=YM276 (D)=  
 (B)=YM276D (E)=  
 (C)= (F)=



REF.	LEV.	PARTS NO.	DESCRIPTION	QTY						I	R
				(A)	(B)	(C)	(D)	(E)	(F)		
54	1	26013-100202	BOLT W/WASHER M10X20	2	2						
55	1	26014-080162	BOLT M 8X 16	6	6						
56	1	26116-050402	BOLT M 5X 40 PLATED	6	6						
57	1	26116-060122	BOLT M 6X 12	14	14						
58	1	26116-060162	BOLT M 6X 16 PLATED	2	2						
59	1	26557-050202	SCREW M 5X 20	4	4						
60	1	26587-060162	SCREW M 6X 16	2	2						
61	1	26716-080002	NUT M 8	2	2						
62	1	26716-120002	NUT M12	2	2						
63	1	194155-05210	BOLT W/WASHER M6X16	2	2						
64	1	194155-05210	BOLT W/WASHER M6X16	4	4						
65	1	194155-05210	BOLT W/WASHER M6X16	5	5						
66	1	194990-22140	NUT W/WASHER 8	4	4						
67	1	194464-61480	PAD, (RUBBER)	1	1						
68	1	194170-61500-R	DASHBOARD ASSY	1	1						
69	1	194145-61551	GASKET, HOOD	2	2						
70	1	194145-61560	RUBBER, CUSHION	2	2						
71	1	194190-61560	RIVET 5X6	8	8						
72	1	194420-61580	GROMMET 125	1	1						
73	1	194170-61620-R	COVER, DASHBOARD	1	1						
74	1	194420-61640	SCREW M 5X 16	5	5						
75	1	194420-61640	SCREW M 5X 16	2	2						
76	1	194145-61650	NUT M5	5	5						
77	1	194145-61650	NUT M5	2	2						
78	1	194170-61660-X	STAY, PANEL	1	1						
79	1	194170-61670-X	COVER, GEAR BOX	1	1						
80	1	194170-61680-X	COVER	2	2						
81	1	194170-61690-X	COVER (B), GEAR BOX	1	1						
82	1	194324-62310	CAP 4.5, RUBBER	4	4						
83	1	194145-64430	GROMMET 12	1	1						
84	1	22137-060000	WASHER 6, POLISHED	1	1						
85	1	22217-050000	SPRING WASHER 5	2	2						
86	1	22217-080000	SPRING WASHER 8	3	3						
87	1	26011-080162	BOLT M 8X 16	4	4						
88	1	26013-060252	BOLT M 6X 25	1	1						
89	1	26116-080252	BOLT M 8X 25 PLATED	2	2						
90	1	26116-080452	BOLT M 8X 45 PLATED	1	1						
91	1	26557-050122	SCREW M 5X 12	1	1						
92	1	26557-050302	SCREW M 5X 30	1	1						
93	1	26587-080122	SCREW M 8X 12	2	2						

Fig. 75 FENDER (USA & SOUTH AFRICA)

(A)=YM276 (D)=  
 (B)=YM276D (E)=  
 (C)= (F)=

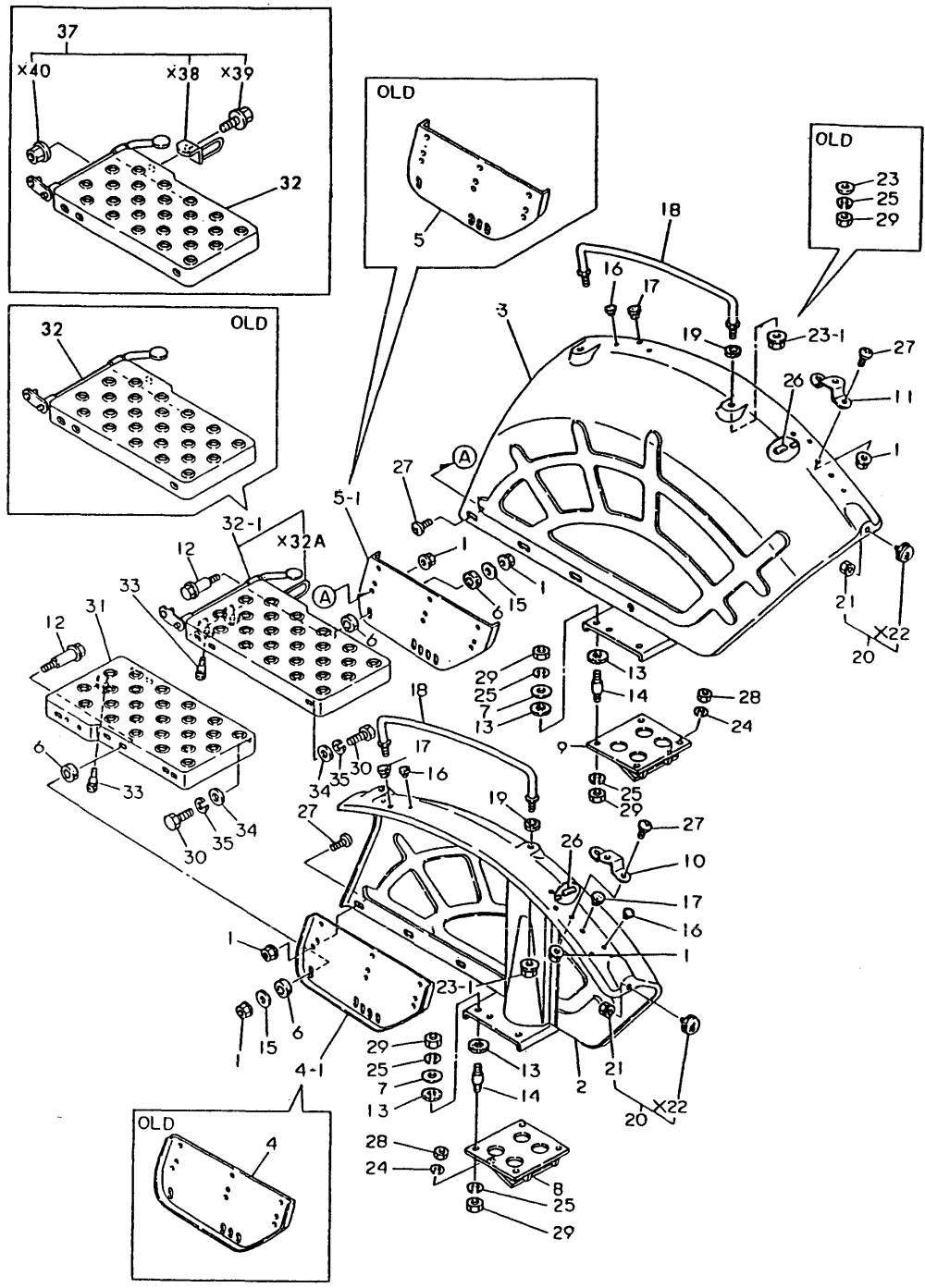


REF.	LEV.	PARTS NO.	DESCRIPTION	QTY						I	R
				(A)	(B)	(C)	(D)	(E)	(F)		
1	1	194990-22140	NUT W/WASHER 8	14	14						
2	1	194275-62110-R	FENDER (L)	1	1						
2-1	1	194275-62111-R	FENDER (L)	1	1						N
		(A=T/# 20558) (B=T/# 41311)									
3	1	194275-62120-R	FENDER (R)	1	1						
3-1	1	194275-62121-R	FENDER (R)	1	1						N
		(A=T/# 20558) (B=T/# 41311)									
4	1	194145-62130-R	SUB-FENDER (L)	1	1						
4-1	1	194145-62131-R	SUB-FENDER (L)	1	1						S
		(A=T/# 20451) (B=T/# 40951)									
5	1	194145-62140-R	SUB-FENDER (R)	1	1						
5-1	1	194145-62141-R	SUB-FENDER (R)	1	1						S
		(A=T/# 20451) (B=T/# 40951)									
6	1	194130-62160	RUBBER, CUSHION	8	8						
7	1	194130-62180	WASHER	8	8						
8	1	194170-62200	BRACKET, FENDER	1	1						
9	1	194170-62210	BRACKET, FENDER	1	1						
10	1	194145-62220-R	STAY	1	1						
11	1	194145-62230-R	STAY	1	1						
12	1	194145-62241	BOLT	4	4						
13	1	194145-62260	RUBBER, CUSHION	16	16						
14	1	194134-62270	BOLT	8	8						
15	1	194145-62280	WASHER	4	4						
16	1	194275-62310	CAP 10, RUBBER	6	6						
16-1	1	194275-62310	CAP 10, RUBBER	8	8						K
		(A=T/# 20558) (B=T/# 41314)									
17	1	194275-62320	CAP 12, RUBBER	3	3						
17-1	1	194145-64430	GROMMET 12	3	3						N
		(A=T/# 20230) (B=T/# 40422)									
17-2	1	194145-64430	GROMMET 12	1	1						K
		(A=T/# 20558) (B=T/# 41311)									
18	1	194145-62410-R	BAR, ASSIST	2	2						
19	1	194145-62420	RUBBER, CUSHION	4	4						
20	1	194740-76200	REFLECTOR	2	2						
21	2	194990-22030	NUT W/WASHER 5	2	2						
23	1	22137-120000	WASHER 12,POLISHED	4	4						
23-1	1	194990-22160	NUT W/WASHER 12	4	4						S
		(A=T/# 20430) (B=T/# 40844)									
24	1	22217-100000	SPRING WASHER 10	8	8						
25	1	22217-120000	WASHER 12,SPRING	20	20						
25-1	1	22217-120000	WASHER 12,SPRING	16	16						K
		(A=T/# 20430) (B=T/# 40844)									
26	1	23061-070035	PIPE 7X 35	4	4						
27	1	26587-080122	SCREW M 8X 12	10	10						
28	1	26716-100002	NUT M10	8	8						
29	1	26716-120002	NUT M12	20	20						
29-1	1	26716-120002	NUT M12	16	16						K
		(A=T/# 20430) (B=T/# 40844)									
30	1	194465-11930	BOLT M10X 28	4	4						
31	1	194170-62510-X	STEP (L)	1	1						
32	1	194170-62530-X	STEP (R)	1	1						
32-1	1	194170-62531-X	STEP (R)	1	1						N
		(A=T/# 20636) (B=T/# 41664)									
33	1	194330-62530	STOPPER, PEDAL	3	3						

++ CONTINUE ++

Fig. 75 FENDER (USA & SOUTH AFRICA)

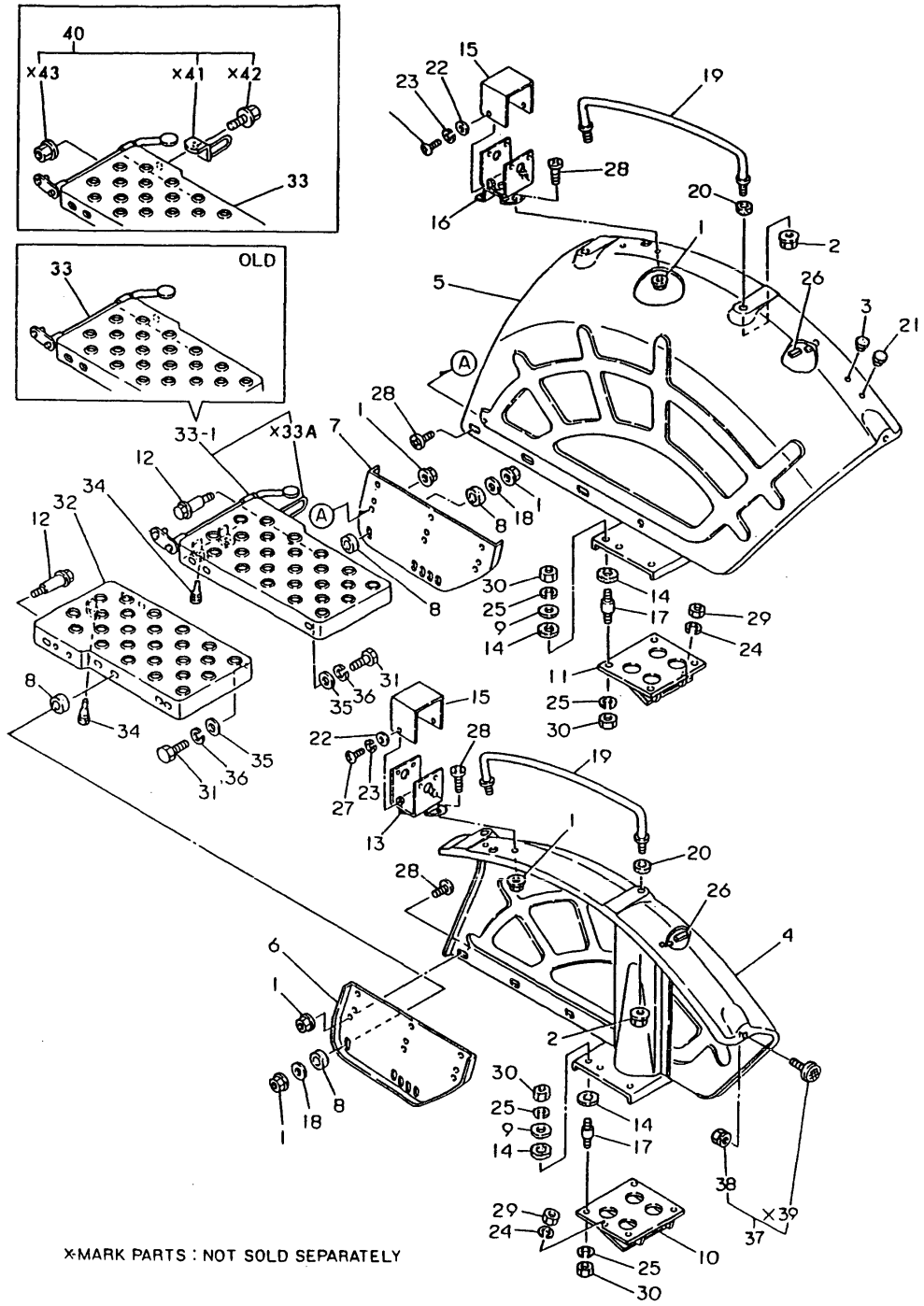
(A)=YM276 (D)=  
 (B)=YM276D (E)=  
 (C)= (F)=



REF.	LEV.	PARTS NO.	DESCRIPTION	QTY						I	R
				(A)	(B)	(C)	(D)	(E)	(F)		
34	1	22137-100000	WASHER 10,POLISHED	4	4						
35	1	22217-100000	SPRING WASHER 10	4	4						
36	1	194448-61620	GROMMET 20.5	2	2						W
(A=T/# 20558) (B=T/# 41311)											
37	1	794170-01400-X	STOPPER KIT, PEDAL	1	1						W 1
(A=T/# 20636) (B=T/# 41664)											

Fig. 76 FENDER (FRANCE & EUROPE)

(A)=YM276 (D)=  
 (B)=YM276D (E)=  
 (C)= (F)=

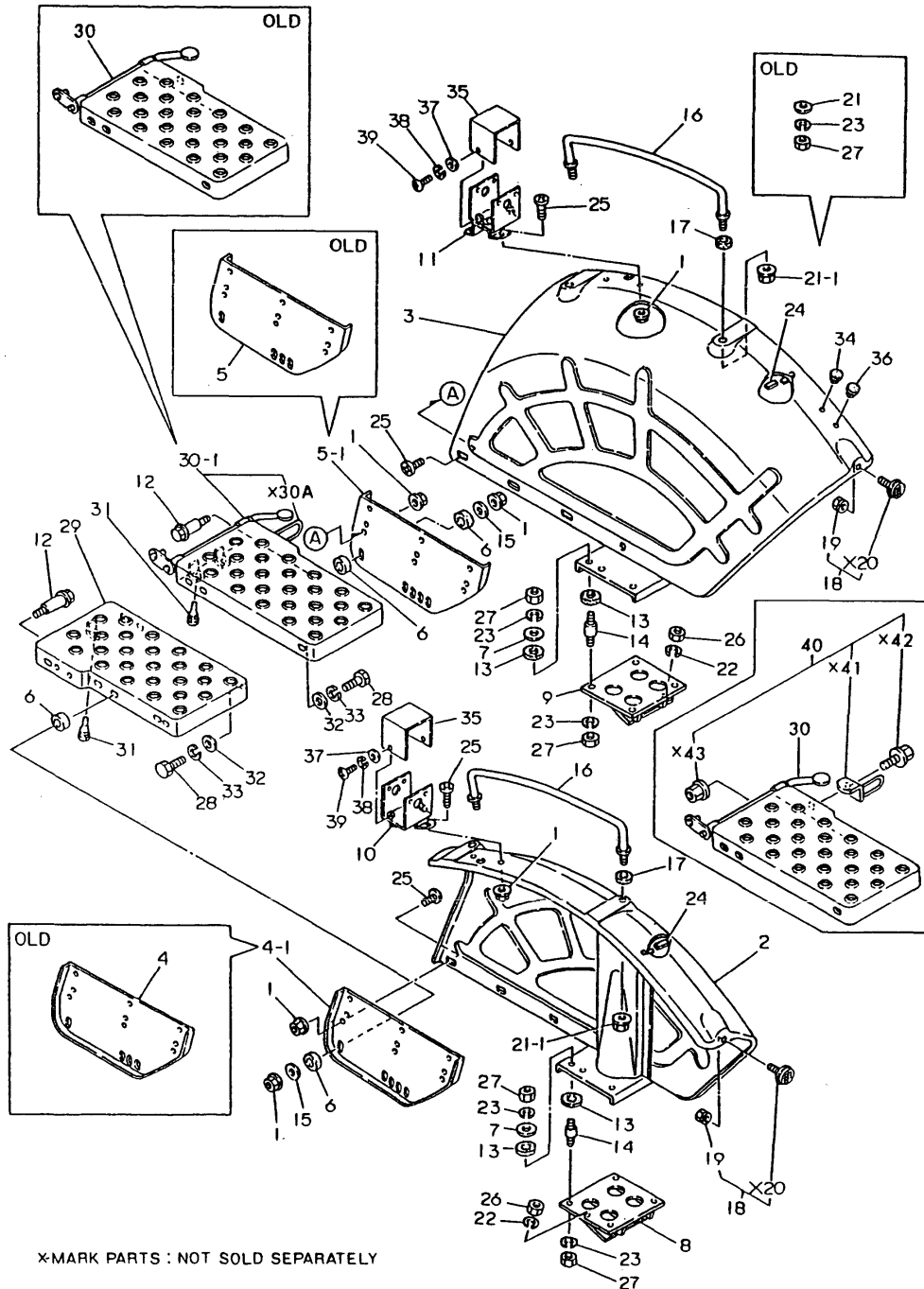


REF.	LEV.	PARTS NO.	DESCRIPTION	QTY						I	R
				(A)	(B)	(C)	(D)	(E)	(F)		
1	1	194990-22140	NUT W/WASHER 8	14	14						
2	1	194990-22160	NUT W/WASHER 12	4	4						
3	1	1C6053-26020	CAP, RUBBER	1	1						
4	1	194324-62110-R	FENDER (L)	1	1						
5	1	194324-62120-R	FENDER (R)	1	1						
6	1	194145-62131-R	SUB-FENDER (L)	1	1						
7	1	194145-62141-R	SUB-FENDER (R)	1	1						
8	1	194130-62160	RUBBER, CUSHION	8	8						
9	1	194130-62180	WASHER	8	8						
10	1	194170-62200	BRACKET, FENDER	1	1						
11	1	194170-62210	BRACKET, FENDER	1	1						
12	1	194145-62241	BOLT	4	4						
13	1	194324-62251-P	BRACKET (L), SIGNAL	1	1						
14	1	194145-62260	RUBBER, CUSHION	16	16						
15	1	194240-62260-P	HOOD, TURN SIGNAL	2	2						
16	1	194324-62261-P	BRACKET (R), SIGNAL	1	1						
17	1	194134-62270	BOLT	8	8						
18	1	194145-62280	WASHER	4	4						
19	1	194145-62410-P	BAR, ASSIST	2	2						
20	1	194145-62420	RUBBER, CUSHION	4	4						
21	1	194145-64430	GROMMET 12	1	1						
22	1	22137-060000	WASHER 6, POLISHED	4	4						
23	1	22217-060000	SPRING WASHER 6	4	4						
24	1	22217-100000	SPRING WASHER 10	8	8						
25	1	22217-120000	WASHER 12, SPRING	16	16						
26	1	23061-070035	PIPE 7X 35	4	4						
27	1	26557-060122	SCREW M 6X 12, PAN HD	4	4						
28	1	26587-080122	SCREW M 8X 12	10	10						
29	1	26716-100002	NUT M10	8	8						
30	1	26716-120002	NUT M12	16	16						
31	1	194465-11930	BOLT M10X 28	4	4						
32	1	194170-62510-X	STEP (L)	1	1						
33	1	194170-62530-X	STEP (R)	1	1						
33-1	1	194170-62531-X	STEP (R)	1	1						N
		(A=T/# 20636) (B=T/# 41664)									
34	1	194330-62530	STOPPER, PEDAL	3	3						
35	1	22137-100000	WASHER 10, POLISHED	4	4						
36	1	22217-100000	SPRING WASHER 10	4	4						
37	1	194436-64200	REFLECTOR ASSY	2	2						W
		(A=T/# 20430) (B=T/# 40846)									
38	2	194990-22030	NUT W/WASHER 5	2	2						W
		(A=T/# 20430) (B=T/# 40846)									
40	1	794170-01400-X	STOPPER KIT, PEDAL	1	1						W 1
		(A=T/# 20636) (B=T/# 41664)									

x-MARK PARTS : NOT SOLD SEPARATELY

Fig. 77 FENDER (ENGLAND)

(A)=YM276 (D)=  
 (B)=YM276D (E)=  
 (C)= (F)=



\*MARK PARTS : NOT SOLD SEPARATELY

REF.	LEV.	PARTS NO.	DESCRIPTION	QTY						I	R
				(A)	(B)	(C)	(D)	(E)	(F)		
1	1	194990-22140	NUT W/WASHER 8	14	14						
2	1	194275-62110-R	FENDER (L)	1	1						
2-1	1	194324-62110-R	FENDER (L)	1	1						S
		(A=T/# 20310) (B=T/# 40685)									
3	1	194275-62120-R	FENDER (R)	1	1						
3-1	1	194324-62120-R	FENDER (R)	1	1						S
		(A=T/# 20310) (B=T/# 40685)									
4	1	194145-62130	SUB-FENDER (L)	1	1						
4-1	1	194145-62131-R	SUB-FENDER (L)	1	1						S
		(A=T/# 20451) (B=T/# 40951)									
5	1	194145-62140	SUB-FENDER (R)	1	1						
5-1	1	194145-62141-R	SUB-FENDER (R)	1	1						S
		(A=T/# 20451) (B=T/# 40951)									
6	1	194130-62160	RUBBER, CUSHION	8	8						
7	1	194130-62180	WASHER	8	8						
8	1	194170-62200	BRACKET, FENDER	1	1						
9	1	194170-62210	BRACKET, FENDER	1	1						
10	1	194324-62250-R	BRACKET (L), LIGHT	1	1						
10-1	1	194324-62251-R	BRACKET	1	1						N
		(A=T/# 20310) (B=T/# 40685)									
11	1	194324-62260-R	BRACKET (R), LIGHT	1	1						
11-1	1	194324-62261-R	BRACKET (R)	1	1						N
		(A=T/# 20310) (B=T/# 40685)									
12	1	194145-62241	BOLT	4	4						
13	1	194145-62260	RUBBER, CUSHION	16	16						
14	1	194134-62270	BOLT	8	8						
15	1	194145-62280	WASHER	4	4						
16	1	194145-62410	BAR, ASSIST	2	2						
17	1	194145-62420	RUBBER, CUSHION	4	4						
18	1	194436-64200	REFLECTOR ASSY	2	2						
19	2	194990-22030	NUT W/WASHER 5	2	2						
21	1	22137-120000	WASHER 12,POLISHED	4	4						
21-1	1	194990-22160	NUT W/WASHER 12	4	4						S
		(A=T/# 20381) (B=T/# 40803)									
22	1	22217-100000	SPRING WASHER 10	8	8						
23	1	22217-120000	WASHER 12,SPRING	20	20						
23-1	1	22217-120000	WASHER 12,SPRING	16	16						K
		(A=T/# 20381) (B=T/# 40803)									
24	1	23061-070035	PIPE 7X 35	4	4						
25	1	26587-080122	SCREW M 8X 12	10	10						
26	1	26716-100002	NUT M10	8	8						
27	1	26716-120002	NUT M12	20	20						
27-1	1	26716-120002	NUT M12	16	16						K
		(A=T/# 20381) (B=T/# 40803)									
28	1	194465-11930	BOLT M10X 28	4	4						
29	1	194170-62510-X	STEP (L)	1	1						
30	1	194170-62530-X	STEP (R)	1	1						
30-1	1	194170-62531-X	STEP (R)	1	1						N
		(A=T/# 20636) (B=T/# 41664)									
31	1	194430-62530	STOPPER,PEDAL	3	3						
32	1	22137-100000	WASHER 10,POLISHED	4	4						
33	1	22217-100000	SPRING WASHER 10	4	4						
34	1	1C6053-26020	CAP, RUBBER	1	1						
35	1	194240-62260-R	HOOD, TURN SIGNAL	2	2						

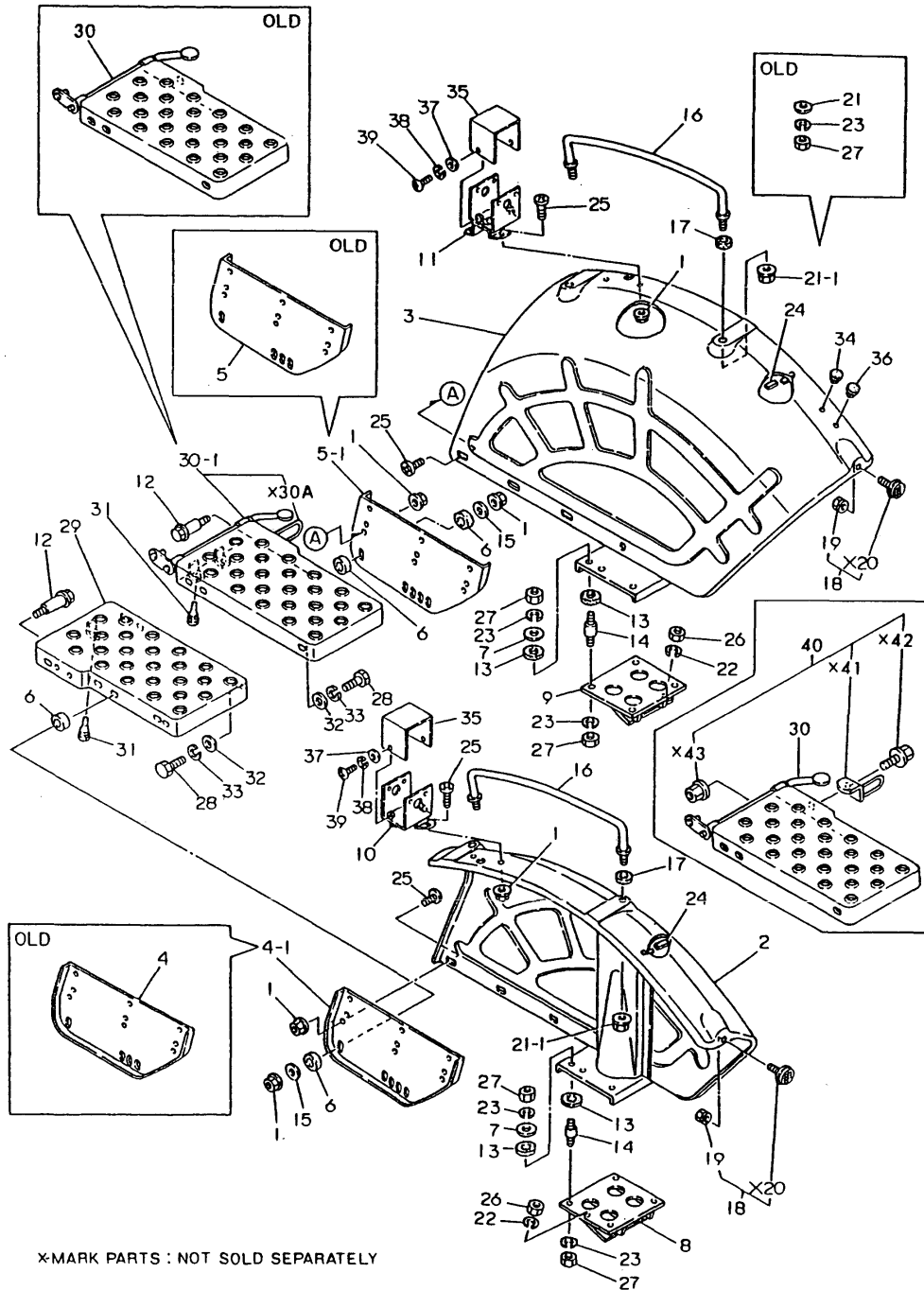
++ CONTINUE ++



Fig. 77 FENDER (ENGLAND)

Y00T2321 77. FENDER(ENGLAND)

(A)=YM276 (D)=  
 (B)=YM276D (E)=  
 (C)= (F)=



\*MARK PARTS : NOT SOLD SEPARATELY

REF.	LEV.	PARTS NO.	DESCRIPTION	QTY						I	R
				(A)	(B)	(C)	(D)	(E)	(F)		
36	1	194145-64430	GROMMET 12	1	1						
37	1	22137-060000	WASHER 6, POLISHED	4	4						
38	1	22217-060000	SPRING WASHER 6	4	4						
39	1	26557-060122	SCREW M 6X 12,PAN HD	4	4						
40	1	794170-01400-X	STOPPER KIT, PEDAL	1	1						W 1
(A=T/# 20636) (B=T/# 41664)											

Fig. 78 STEPS (PORTUGAL)

(A)=YM276 (D)=  
 (B)=YM276D (E)=  
 (C)= (F)=

REF.	LEV.	PARTS NO.	DESCRIPTION	QTY						I	R
				(A)	(B)	(C)	(D)	(E)	(F)		
1	1	194465-11930	BOLT M10X 28	4	4						
2	1	194170-62510-X	STEP (L)	1	1						
3	1	194172-62540-X	STEP (R)	1	1						
3-1	1	194172-62541-X	STEP (R)	1	1						N
		(A=T/# 20019) (B=T/# 40042)									
4	1	194330-62530	STOPPER, PEDAL	3	3						
5	1	22137-100000	WASHER 10,POLISHED	4	4						
6	1	22217-100000	SPRING WASHER 10	4	4						
7	1	794170-01400-X	STOPPER KIT, PEDAL	1	1						W 1
		(A=T/# 20019) (B=T/# 40042)									

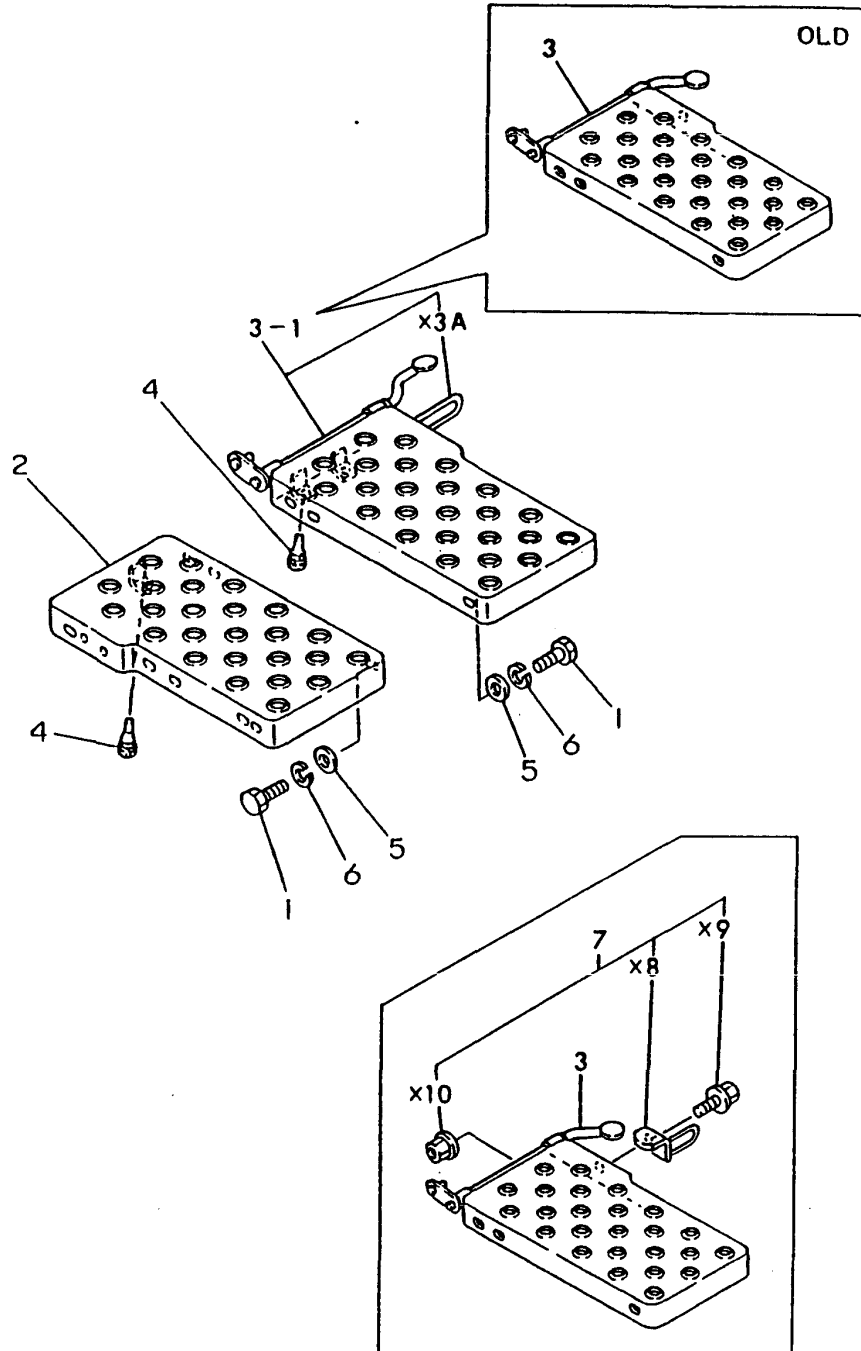
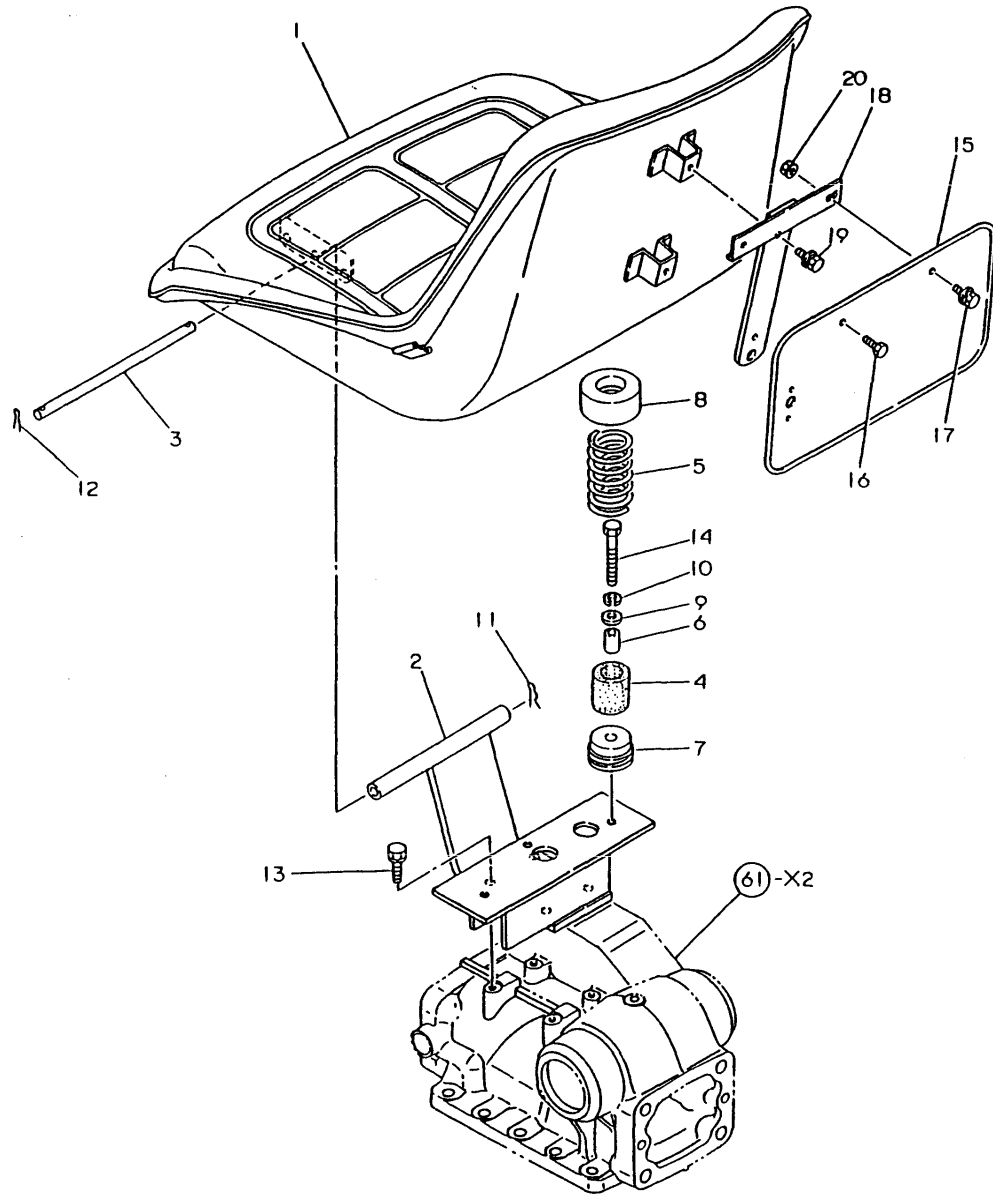


Fig. 79 SEAT (STANDARD)



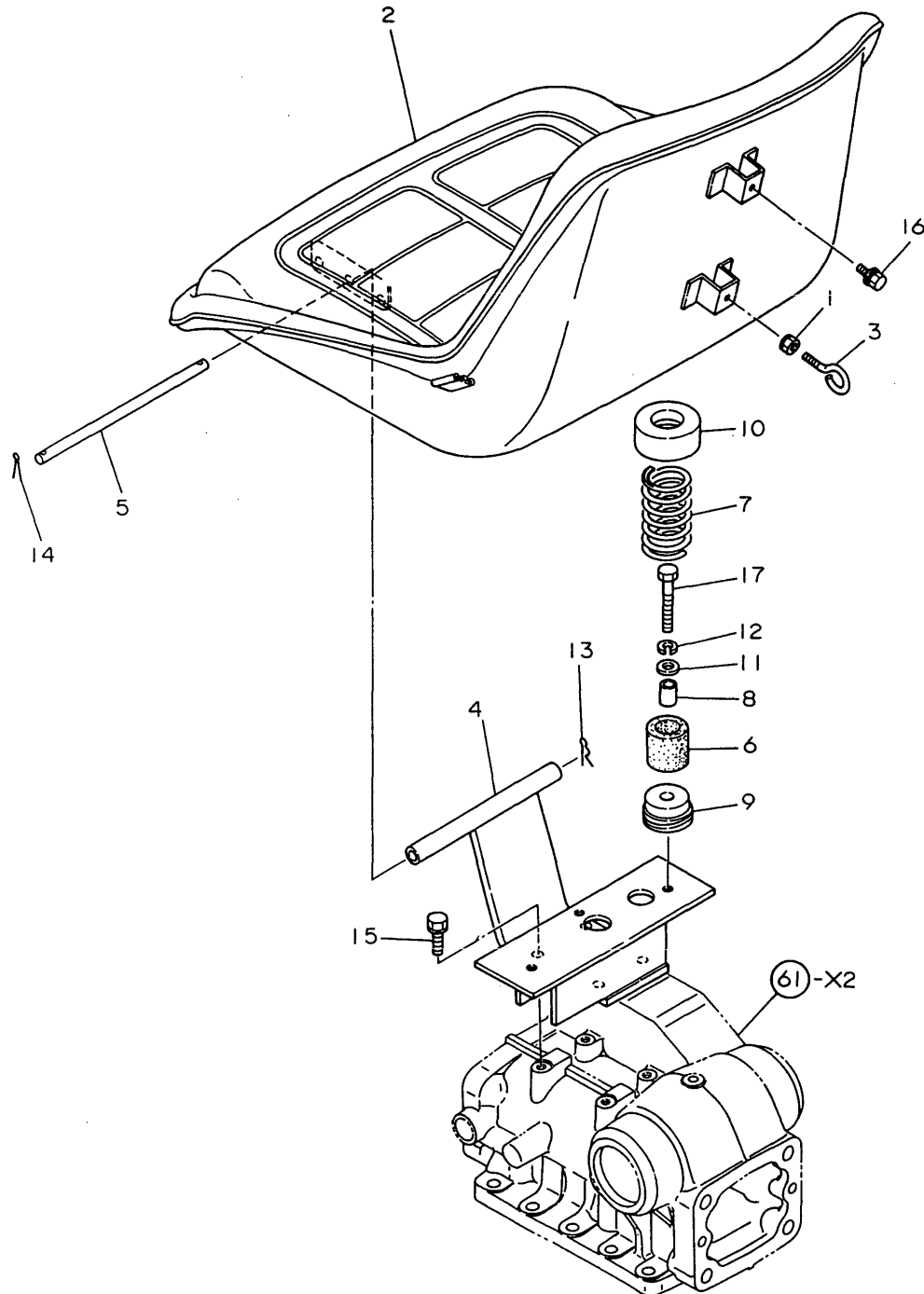
Y00T2321 79. SEAT(STANDARD)

(A)=YM276 (D)=  
 (B)=YM276D (E)=  
 (C)= (F)=

REF.	LEV.	PARTS NO.	DESCRIPTION	QTY						I	R
				(A)	(B)	(C)	(D)	(E)	(F)		
1	1	194170-63110-X	SEAT, OPERATOR	1	1						
1-1	1	194448-63110 (A=T/# 20627)	SEAT, OPERATOR (B=T/# 41570)	1	1						N
2	1	194170-63210-X	BRACKET, SEAT	1	1						
3	1	194140-63221	PIN, HINGE	1	1						
4	1	194151-63240	RUBBER, CUSHION	2	2						
5	1	194281-63240	SPRING	2	2						
6	1	194151-63250	COLLAR	2	2						
7	1	194322-63250	HOLDER	2	2						
8	1	194322-63280	RETAINER	2	2						
9	1	22137-080000	WASHER 8, POLISHED	2	2						
10	1	22217-080000	SPRING WASHER 8	2	2						
11	1	22360-080000	SNAP PIN 8	1	1						
12	1	22417-200200	COTTER PIN 2.0X20	1	1						
13	1	26013-080252	BOLT M 8X 25	4	4						
14	1	26116-080602	BOLT M 8X 60 PLATED	2	2						
14-1	1	26116-080552 (A=T/# 20611)	BOLT M 8X 55 PLATED (B=T/# 41544)	2	2						N
15	1	194436-64510	PLATE, LICENSE	1	1						1
16	1	26116-060122	BOLT M 6X 12	1	1						
17	1	26013-060122	BOLT M 6X 12	1	1						
17-1	1	26014-060122 (A=T/# 20430)	BOLT M 6X 12 (B=T/# 40849)	1	1						N
18	1	194448-63120-X	STAY, NUMBER PLATE	1	1						
19	1	26013-060162	BOLT M 6X 16	2	2						
19-1	1	194155-05210 (A=T/# 20430)	BOLT W/WASHER M6X16 (B=T/# 40849)	2	2						N
20	1	194990-22130	NUT W/WASHER 6	1	1						

Fig. 80 SEAT (USA & SOUTH AFRICA)

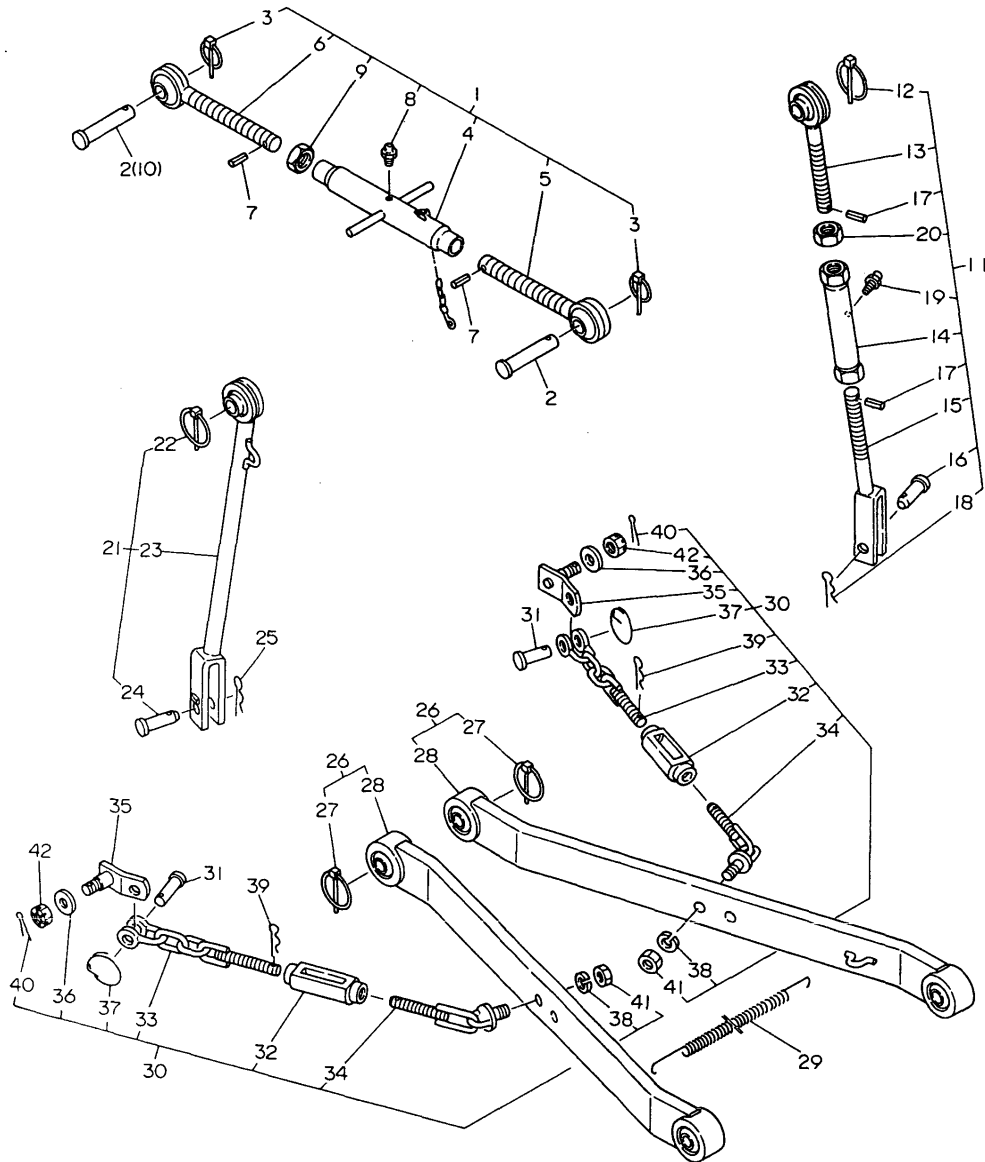
(A)=YM276 (D)=  
 (B)=YM276D (E)=  
 (C)= (F)=



REF.	LEV.	PARTS NO.	DESCRIPTION	QTY						I	R
				(A)	(B)	(C)	(D)	(E)	(F)		
1	1	194990-22130	NUT W/WASHER 6	1	1						
2	1	194170-63110-X	SEAT, OPERATOR	1	1						
2-1	1	194170-63111-X	SEAT, OPERATOR	1	1						N
		(A=T/# 20648)	(B=T/# 41690)								
3	1	194275-63120	BOLT	1	1						
4	1	194170-63210-X	BRACKET, SEAT	1	1						
5	1	194140-63221	PIN, HINGE	1	1						
6	1	194151-63240	RUBBER, CUSHION	2	2						
7	1	194281-63240	SPRING	2	2						
8	1	194151-63250	COLLAR	2	2						
9	1	194322-63250	HOLDER	2	2						
10	1	194322-63280	RETAINER	2	2						
11	1	22137-080000	WASHER 8, POLISHED	2	2						
12	1	22217-080000	SPRING WASHER 8	2	2						
13	1	22360-080000	SNAP PIN 8	1	1						
14	1	22417-200200	COTTER PIN 2.0X20	1	1						
15	1	26013-080252	BOLT M 8X 25	4	4						
15-1	1	26106-080252	BOLT M 8X 25 PLATED	4	4						N
		(A=T/# 20648)	(B=T/# 41690)								
16	1	26014-060202	BOLT M 6X 20	1	1						
16-1	1	26106-060162	BOLT M 6X 16 PLATED	1	1						N
		(A=T/# 20648)	(B=T/# 41690)								
17	1	26116-080602	BOLT M 8X 60 PLATED	2	2						
17-1	1	26116-080552	BOLT M 8X 55 PLATED	2	2						N
		(A=T/# 20611)	(B=T/# 41544)								
17-2	1	26106-080552	BOLT M 8X 55 PLATED	2	2						N
		(A=T/# 20648)	(B=T/# 41690)								

Fig. 81 THREE-POINT HITCH

(A)=YM276 (D)=  
 (B)=YM276D (E)=  
 (C)= (F)=

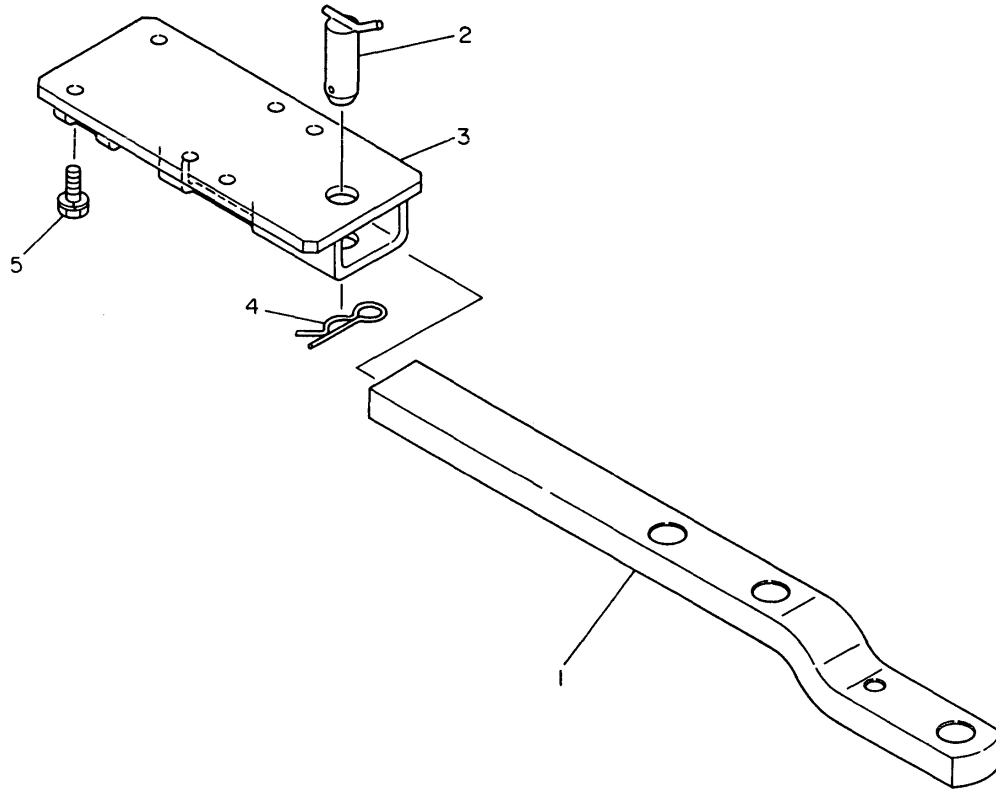


REF.	LEV.	PARTS NO.	DESCRIPTION	QTY						I	R
				(A)	(B)	(C)	(D)	(E)	(F)		
1	1	794170-71100-X	LINK ASSY, TOP	1	1						
2	2	194150-71230	PIN, TOP LINK	2	2						
2-1	2	194150-71230	PIN, TOP LINK	1	1						K
(A=*1982.09) (B=*1982.09)											
3	2	794130-71410	PIN ASSY,BALL SOCKET	2	2						
4	2	194446-71500-X	TURNBUCKLE	1	1						
5	2	194446-71700-X	EYE-BOLT (L)	1	1						
6	2	194446-71600-X	EYE-BOLT (R)	1	1						
7	2	22351-040024	SPRING PIN 4X24	2	2						
8	2	24761-010000	NIPPLE M6F, GREASE	1	1						
9	2	26756-240002	LOCK NUT M24 PLATED	1	1						
10	2	195080-15060	PIN, HITCH	1	1						W
(A=*1982.09) (B=*1982.09)											
11	1	794170-72100-X	LINK ASSY, LIFT	1	1						
12	2	794130-71410	PIN ASSY,BALL SOCKET	1	1						
13	2	194170-72200-X	BOLT W/BALL, EYE	1	1						
14	2	194170-72230-X	TURNBUCKLE	1	1						
15	2	194170-72450-X	YOKE, LIFT LINK	1	1						
16	2	194145-72550	PIN, LIFT YOKE	1	1						
17	2	22351-040022	SPRING PIN 4X22	2	2						
18	2	22360-160000	SNAP PIN 16	1	1						
19	2	24761-060000	NIPPLE MT6X1, GREASE	1	1						
19-1	2	24761-010000	NIPPLE M6F, GREASE	1	1						S
(A=T/# 20430) (B=T/# 40844)											
20	2	26756-200002	LOCK NUT M20 PLATED	1	1						
21	1	794170-72200-X	LINK ASSY, LIFT	1	1						
22	2	794130-71410	PIN ASSY,BALL SOCKET	1	1						
23	2	194170-72300-X	LINK ASSY, LIFT	1	1						
24	2	194145-72550	PIN, LIFT YOKE	1	1						
25	2	22360-160000	SNAP PIN 16	1	1						
26	1	794170-73100-X	LINK ASSY, LOWER	2	2						
27	2	794130-71410	PIN ASSY,BALL SOCKET	2	2						
28	2	194170-73410-X	LINK ASSY, LOWER	2	2						
29	1	194145-73150	SPRING	1	1						
30	1	794170-74600-X	CHAIN SET, CHECK	2	2						
31	2	194080-74631	PIN (SA10), SHACKLE	2	2						
32	2	194150-74670-U	TURNBUCKLE, CHAIN	2	2						
33	2	194170-74720-U	EYE BOLT	2	2						
34	2	194286-74800-U	CHAIN, CHECK	2	2						
34-1	2	194170-74800-U	CHAIN, CHECK	2	2						S
(A=*1981.02) (B=*1981.02)											
35	2	194170-74910-X	BRACKET, CHAIN	2	2						
35-1	2	194150-74910-X	BRACKET, CHAIN	2	2						S
(A=*1980.10) (B=*1980.10)											
36	2	194150-74920	WASHER	2	2						
37	2	194145-75250	RING	2	2						
38	2	22217-140000	SPRING WASHER 14	2	2						
39	2	22360-200000	SNAP PIN 20	2	2						
40	2	22417-300350	COTTER PIN 3.0X35	2	2						
41	2	26716-140002	NUT M14	2	2						
42	2	26817-160002	CASTLE NUT M16	2	2						
42-1	2	26837-160002	CASTLE NUT M16	2	2						N
(A=*1982.12) (B=*1982.12)											

Fig. 82 DRAWBAR (STANDARD)

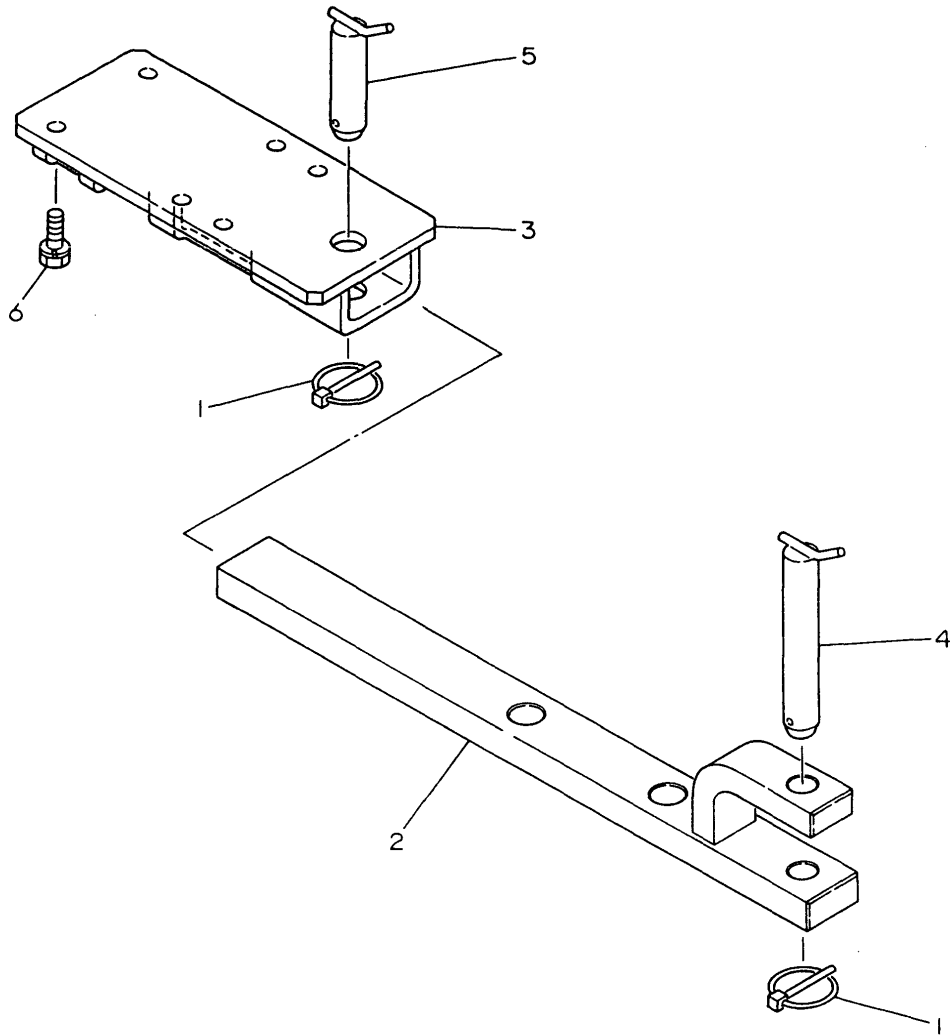
Y00T2321 82. DRAWBAR(STANDARD)

(A)=YM276 (D)=  
 (B)=YM276D (E)=  
 (C)= (F)=



REF.	LEV.	PARTS NO.	DESCRIPTION	QTY						I	R
				(A)	(B)	(C)	(D)	(E)	(F)		
1	1	194275-75210-X	DRAWBER, REAR	1	1						
2	1	194275-75430	PIN 28X 80, HITCH	1	1						
3	1	194170-75720-X	BRACKET, DRAWBER	1	1						
4	1	194080-75790	PIN 28, SNAP	1	1						
5	1	26013-120302	BOLT W/WASHER M12X30	6	6						

Fig. 83 DRAWBAR (ENGLAND)



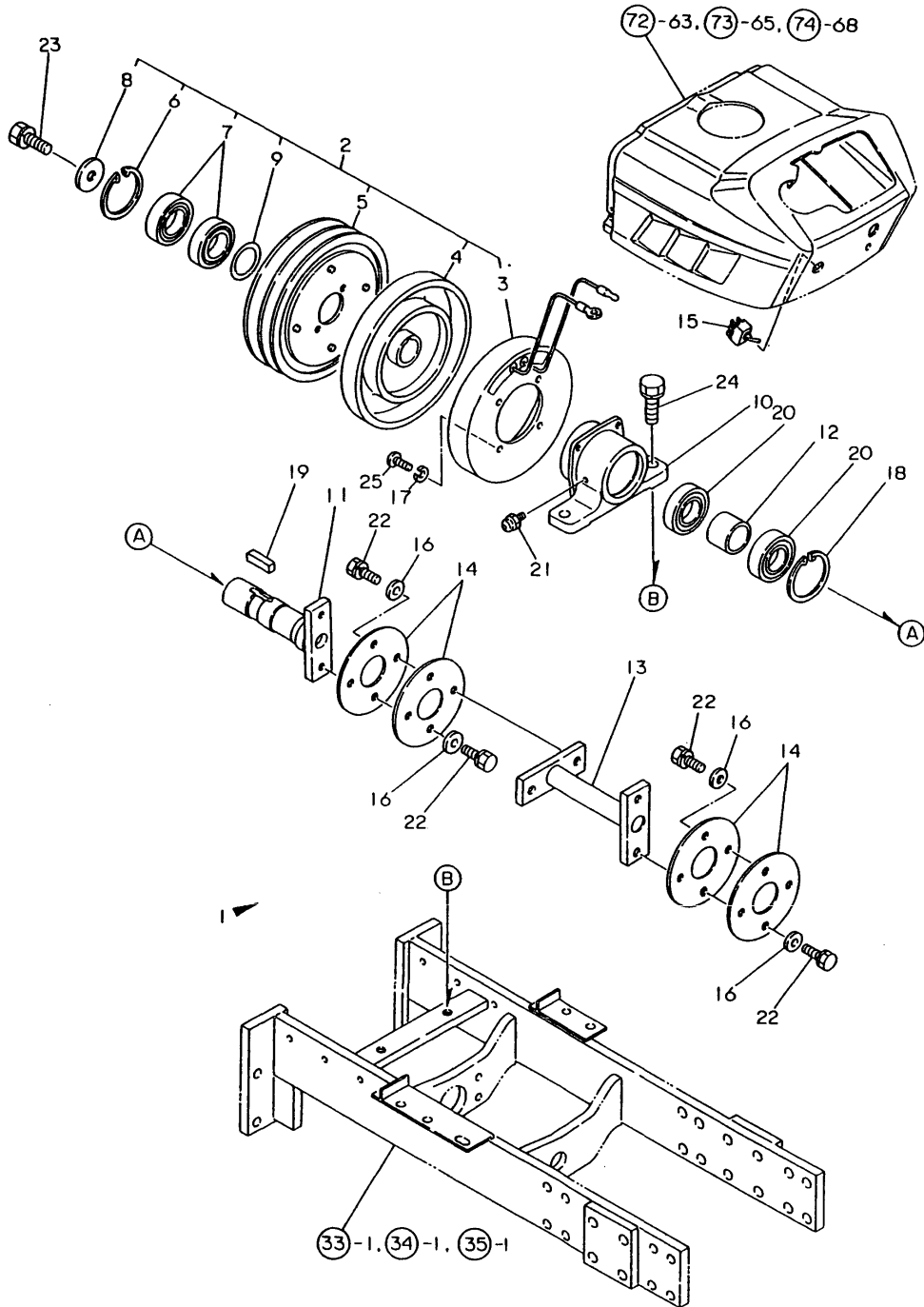
Y00T2321 83. DRAWBAR(ENGLAND)

(A)=YM276 (D)=  
 (B)=YM276D (E)=  
 (C)= (F)=

REF.	LEV.	PARTS NO.	DESCRIPTION	QTY						I	R
				(A)	(B)	(C)	(D)	(E)	(F)		
1	1	794130-71410	PIN ASSY,BALL SOCKET	2	2						
2	1	194270-75711	HITCH, DRAWBER	1	1						
3	1	194170-75720-X	BRACKET, DRAWBER	1	1						
4	1	194242-75740	PIN 22X163.5, HITCH	1	1						
5	1	194270-75750	PIN 28X 90, HITCH	1	1						
6	1	26013-120302	BOLT W/WASHER M12X30	6	6						

Fig. 84 FRONT POWER TAKE OFF

(A)=YM276 (D)=  
 (B)=YM276D (E)=  
 (C)= (F)=



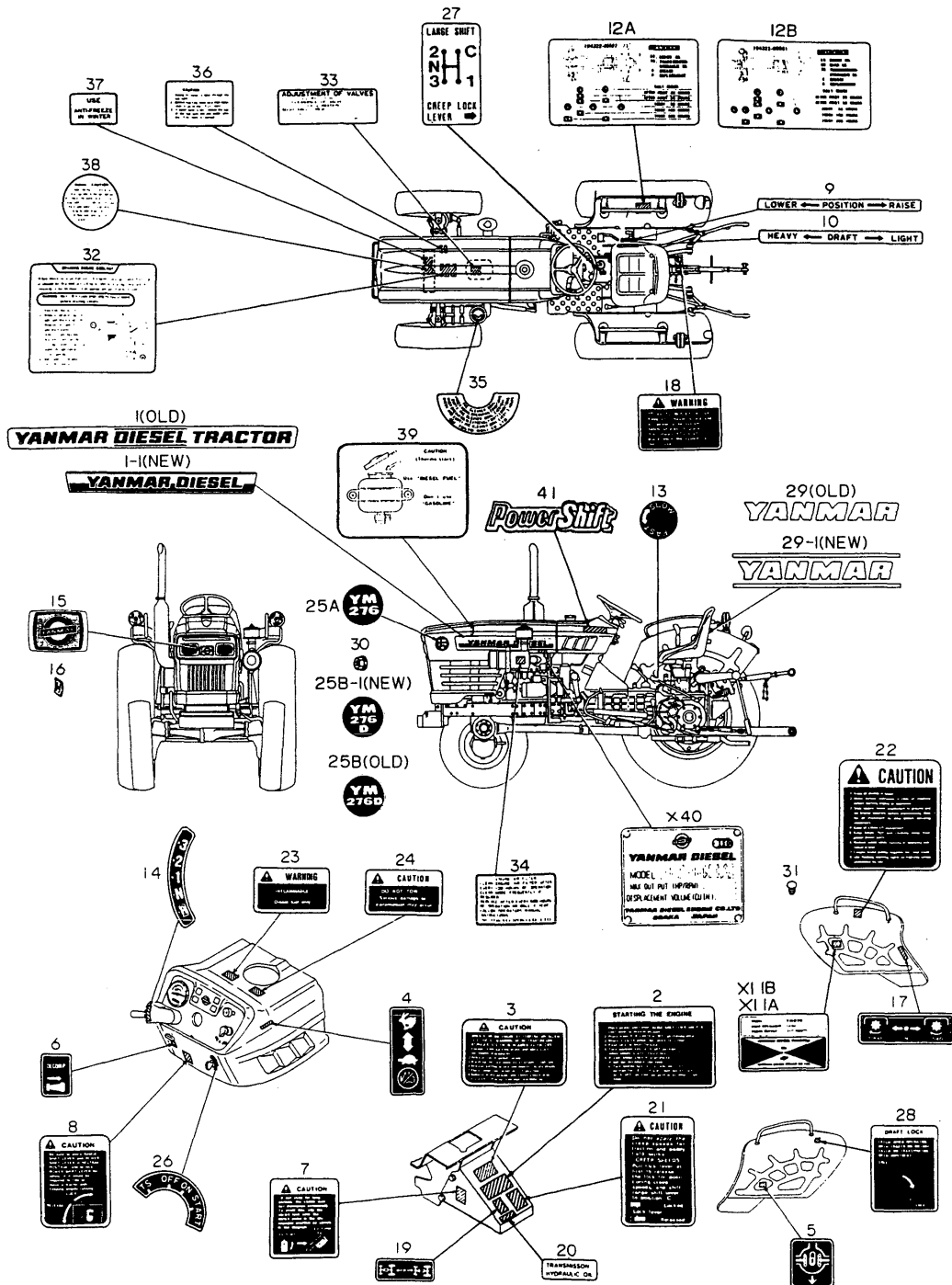
REF.	LEV.	PARTS NO.	DESCRIPTION	QTY						I	R
				(A)	(B)	(C)	(D)	(E)	(F)		
1	1	794322-83100-X	P.T.O. KIT, FRONT	1	1						
2	2	194446-83110-X	CLUTCH ASSY, MAGNET.	1	1						
3	3	194446-83120	COIL, FIELD	1	1						
4	3	194446-83130	ROTOR	1	1						
5	3	194446-83140	ARMATURE	1	1						
6	3	194446-83150	CIRCLIP	1	1						
7	3	194446-83160	BALL BEARING	2	2						
8	3	194446-83170	WASHER	1	1						
9	3	194446-83180	SHIM	3	3						
10	2	194446-83210-X	CASE, BEARING	1	1						
11	2	194446-83220-X	SHAFT, P.T.O	1	1						
12	2	194446-83240	SPACER	1	1						
13	2	194322-83250-X	SHAFT, IDLE	1	1						
14	2	194446-83260	DISC, FRONT P.T.O.	4	4						
15	2	194446-83310	SWITCH, FRONT P.T.O.	1	1						
16	2	22117-100000	WASHER 10	8	8						
17	2	22217-060000	SPRING WASHER 6	4	4						
18	2	22252-000550	CIRCLIP 55	1	1						
19	2	22512-070280	KEY 7X 28	1	1						
20	2	24102-060064	BALL BEARING	2	2						
20-1	2	24104-060064	BALL BEARING	2	2						N
(A=T/# 20493)		(B=T/# 41056)									
21	2	24761-010000	NIPPLE M6F, GREASE	1	1						Z
(A=FXXXXX)		(B=FXXXXX)									
22	2	26013-100202	BOLT W/WASHER M10X20	8	8						
23	2	26013-120302	BOLT W/WASHER M12X30	1	1						
24	2	26013-140302	BOLT M14X 30	2	2						
25	2	26557-060162	SCREW M 6X 16	4	4						



Fig. 85 LABELS (USA & SOUTH AFRICA)

Y00T2321 85. LABEL(USA & SOUTH AFRICA)

(A)=YM276 (D)=  
 (B)=YM276D (E)=  
 (C)= (F)=



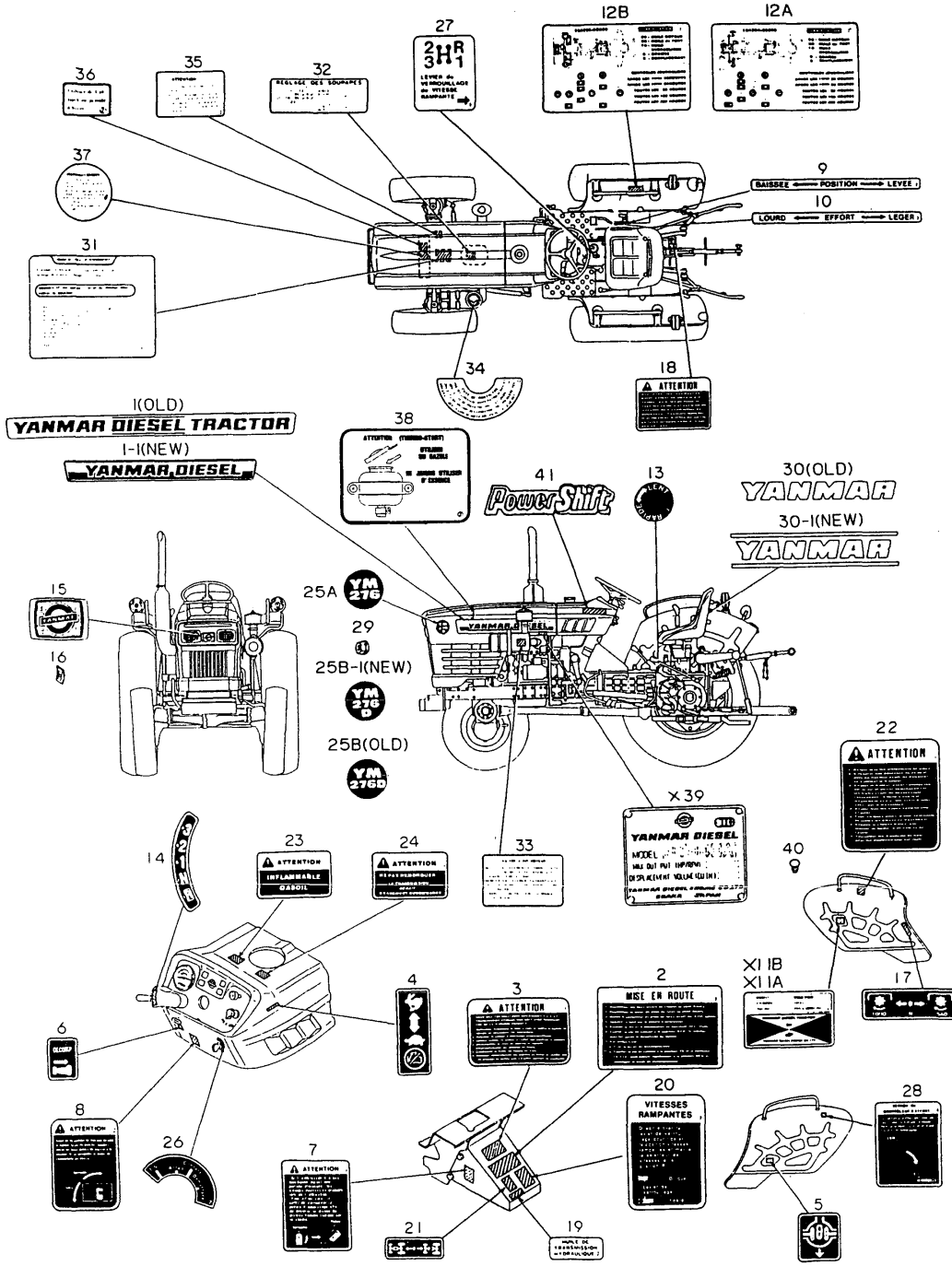
REF.	LEV.	PARTS NO.	DESCRIPTION	QTY						I	R
				(A)	(B)	(C)	(D)	(E)	(F)		
1	1	194371-64750	LABEL, MODEL		2	2					
1-1	1	194371-64751	LABEL, MODEL		2	2					N
		(A=*1981.11) (B=*1981.11)									
2	1	194446-65351	LABEL, ENG. STARTING		1	1					
2-1	1	194446-65352	LABEL, ENG. STARTING		1	1					N
		(A=*1981.11) (B=*1981.11)									
3	1	194446-65361	LABEL, COLD STARTING		1	1					
4	1	194240-65432	LABEL, THROTTLE LEVER		1	1					
5	1	194240-65441	LABEL, DIFF. LOCK		1	1					
6	1	194370-65451	LABEL, DECOMPRESSION		1	1					
7	1	194370-65461	LABEL, CLUTCH CAUTION		1	1					
8	1	194170-65470	LABEL, LEVER POSITION		1	1					
9	1	194170-65510	LABEL, HYDRAULIC LIFT		1	1					
10	1	194170-65520	LABEL, HYDRAULIC LIFT		1	1					
12A	1	194322-65561	LABEL, LUBRICATION		1						
12B	1	194323-65561	LABEL, LUBRICATION			1	1				
13	1	194170-65570	LABEL, SLOW RETURN		1	1					
14	1	194170-65580	LABEL, MAIN SHIFT		1	1					
15	1	194200-65601	EMBLEM, FRONT		1	1					
16	1	194200-65610	NUT 5		2	2					
17	1	194273-65611	LABEL, P.T.O. SHIFT		1	1					
18	1	194170-65620	LABEL, WARNING		1	1					
19	1	194447-65621	LABEL, 4-DRIVE WHEEL		1	1					
20	1	194446-65630	LABEL, GEAR OIL		1	1					
21	1	194170-65650	LABEL, CREEP LOCK		1	1					
22	1	194275-65660	LABEL, CAUTION		1	1					
23	1	194240-65671	LABEL, FUEL INDICAT.		1	1					
24	1	194446-65681	LABEL, DO NOT TOW		1	1					
25A	1	194170-65720	LABEL, SIDE MARK		2						
25A-1	1	194170-65721	LABEL, SIDE MARK		2						N
		(A=*1981.11)									
25B	1	194171-65720	LABEL, SIDE MARK			2					
25B-1	1	194171-65721	LABEL, SIDE MARK			2					N
		(B=*1981.11)									
26	1	194310-65720	LABEL, KEY SWITCH		1	1					
27	1	194170-65730	LABEL, RANGE SHIFT		1	1					
28	1	194322-65861	LABEL, DRAFT LOCK		1	1					
29	1	194170-65890	LABEL, SEAT		1	1					
29-1	1	194170-65891	LABEL, SEAT		1	1					N
		(A=*1981.11) (B=*1981.11)									
30	1	194990-22120	NUT W/WASHER 5		4	4					W
		(A=*1981.11) (B=*1981.11)									
31	1	102210-07990	RIVET		4	4					
32	1	121254-07150	LABEL, WATER DRAIN		1	1					
33	1	124064-07160	LABEL, VALVE ADJUST.		1	1					
34	1	121454-12520	LABEL, AIR-CLEANER		1	1					
35	1	121454-12480	LABEL, PRE-CLEANER		1	1					
36	1	124764-44810	LABEL, RESERVE TANK		1	1					
37	1	124764-44920	LABEL, ANTI-FREEZING		1	1					
38	1	124764-44800	LABEL, RADIATOR		1	1					
39	1	124764-77980	LABEL, FUEL CAUTION		1	1					
41	1	194800-65350	LABEL, MAIN SHIFT		2	2					W
		(A=T/# 20493) (B=T/# 41002)									



Fig. 87 LABELS (EUROPE)

Y00T2321 87. LABEL(EUROPE)

(A)=YM276 (D)=  
 (B)=YM276D (E)=  
 (C)= (F)=



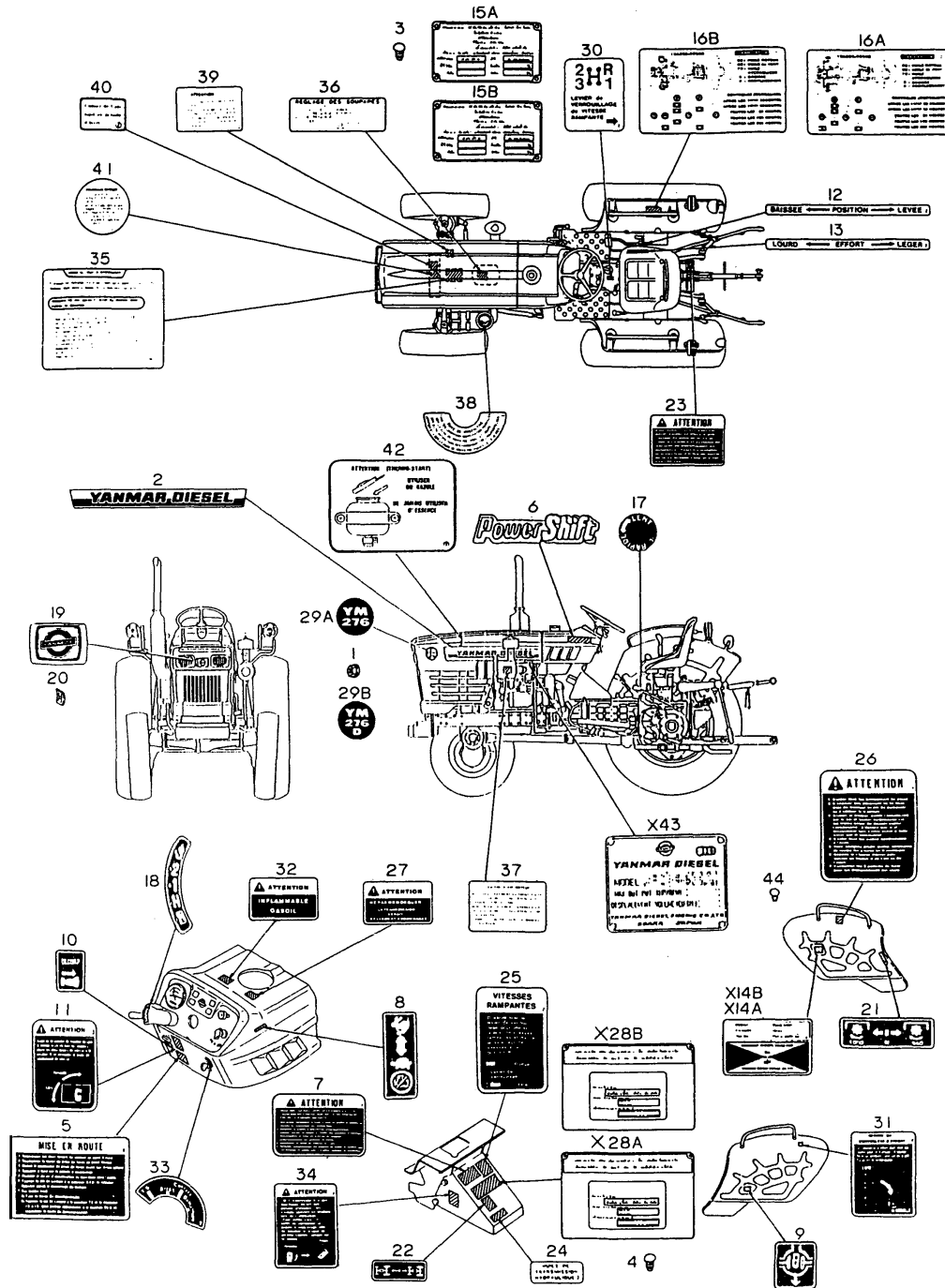
REF.	LEV.	PARTS NO.	DESCRIPTION	QTY						I	R
				(A)	(B)	(C)	(D)	(E)	(F)		
1	1	194371-64750	LABEL, MODEL	2	2						
1-1	1	194371-64751	LABEL, MODEL	2	2						N
		(A="1981.11) (B="1981.11)									
2	1	194448-65350	LABEL, ENG. STARTING	1	1						
3	1	194448-65360	LABEL, COLD STARTING	1	1						
4	1	194240-65432	LABEL, THROTTLE LEVER	1	1						
5	1	194240-65441	LABEL, DIFF. LOCK	1	1						
6	1	194370-65451	LABEL, DECOMPRESSION	1	1						
7	1	194240-98281	LABEL, CLUTCH	1	1						
8	1	194500-65470	LABEL, LEVER POSITION	1	1						
9	1	194172-65510	LABEL, P. INDICATION	1	1						
10	1	194172-65520	LABEL, D. INDICATION	1	1						
12A	1	194324-65560	LABEL, LUBRICATION	1							
12B	1	194325-65560	LABEL, LUBRICATION		1						
13	1	194172-65570	LABEL, SLOW RETURN	1	1						
14	1	194170-65580	LABEL, MAIN SHIFT	1	1						
15	1	194200-65601	EMBLEM, FRONT	1	1						
16	1	194200-65610	NUT 5	2	2						
17	1	194273-65611	LABEL, P.T.O. SHIFT	1	1						
18	1	194448-65620	LABEL, WARNING	1	1						
19	1	194448-65630	LABEL, GEAR OIL	1	1						
20	1	194172-65650	LABEL, CREEP LOCK	1	1						
21	1	194447-65621	LABEL, 4-DRIVE WHEEL		1						
22	1	194448-65660	LABEL, CAUTION	1	1						
23	1	194240-98221	LABEL, FUEL OIL	1	1						
24	1	194448-65680	LABEL, DO NOT TOW	1	1						
25A	1	194170-65720	LABEL, SIDE MARK	2							
25A-1	1	194170-65721	LABEL, SIDE MARK	2							N
		(A="1981.11)									
25B	1	194171-65720	LABEL, SIDE MARK		2						
25B-1	1	194171-65721	LABEL, SIDE MARK		2						N
		(B="1981.11)									
26	1	194240-98251	LABEL, KEY SWITCH	1	1						
27	1	194172-65730	LABEL, RANGE SHIFT	1	1						
28	1	194324-65860	LABEL, DRAFT LOCK	1	1						
29	1	194990-22120	NUT W/WASHER 5	4	4						W
		(A="1981.11) (B="1981.11)									
30	1	194170-65890	LABEL, SEAT	1	1						
30-1	1	194170-65891	LABEL, SEAT	1	1						N
		(A="1981.11) (B="1981.11)									
31	1	121241-07150	LABEL, WATER DRAIN	1	1						
32	1	124040-07160	LABEL, VALVE ADJUST.	1	1						
33	1	121440-12480	LABEL, AIR CLEANER(F	1	1						
34	1	121440-12520	LABEL, PRE-CLEANER(F	1	1						
35	1	124740-44810	LABEL, SUB-TANK	1	1						
36	1	124740-44920	LABEL, ANTI-FREEZING	1	1						
37	1	124740-44800	LABEL, RADIATOR	1	1						
38	1	124740-77980	LABEL, FUEL CAUTION	1	1						
40	1	102210-07990	RIVET	4	4						
41	1	194800-65350	LABEL, MAIN SHIFT	2	2						W
		(A=T/# 20493) (B=T/# 41002)									



Fig. 89 LABELS (FRANCE)

Y00T2321 89. LABEL(FRANCE)

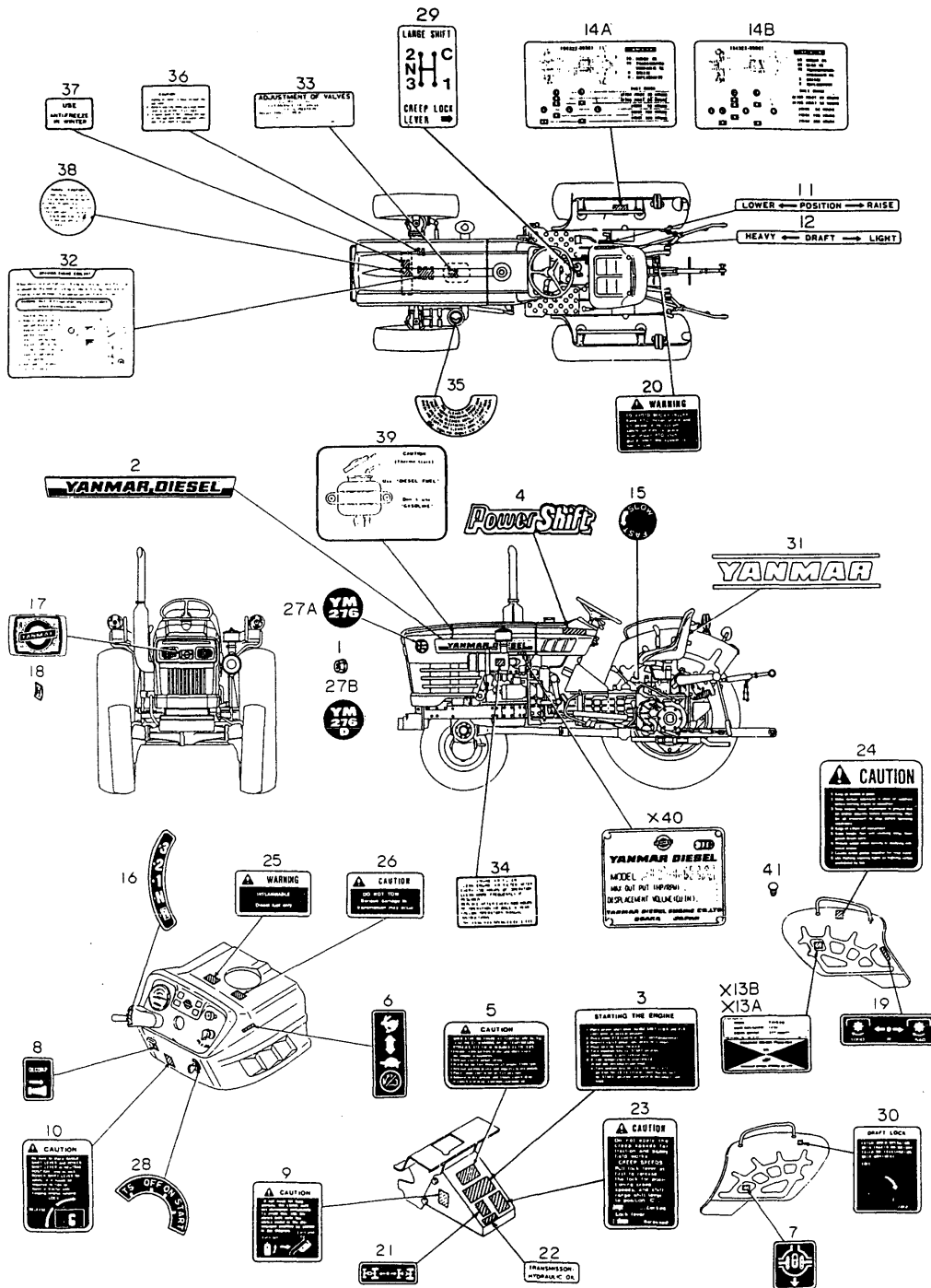
(A)=YM276 (D)=  
 (B)=YM276D (E)=  
 (C)= (F)=



REF.	LEV.	PARTS NO.	DESCRIPTION	QTY						I	R
				(A)	(B)	(C)	(D)	(E)	(F)		
1	1	194990-22120	NUT W/WASHER 5		4	4					
2	1	194371-64751	LABEL, MODEL		2	2					
3	1	194080-64780	RIVET		4	4					
4	1	194080-64780	RIVET		4	4					
5	1	194448-65350	LABEL, ENG. STARTING		1	1					
6	1	194800-65350	LABEL, MAIN SHIFT		2	2					
7	1	194448-65360	LABEL, COLD STARTING		1	1					
8	1	194240-65432	LABEL, THROTTLE LEVER		1	1					
9	1	194240-65441	LABEL, DIFF. LOCK		1	1					
10	1	194370-65451	LABEL, DECOMPRESSION		1	1					
11	1	194500-65470	LABEL, LEVER POSITION		1	1					
12	1	194172-65510	LABEL, P. INDICATION		1	1					
13	1	194172-65520	LABEL, D. INDICATION		1	1					
16A	1	194324-65560	LABEL, LUBRICATION		1						
16B	1	194325-65560	LABEL, LUBRICATION			1					
17	1	194172-65570	LABEL, SLOW RETURN		1	1					
18	1	194170-65580	LABEL, MAIN SHIFT		1	1					
19	1	194200-65601	EMBLEM, FRONT		1	1					
20	1	194200-65610	NUT 5		2	2					
21	1	194273-65611	LABEL, P.T.O. SHIFT		1	1					
22	1	194447-65621	LABEL, 4-DRIVE WHEEL			1					
23	1	194448-65620	LABEL, WARNING		1	1					
24	1	194448-65630	LABEL, GEAR OIL		1	1					
25	1	194172-65650	LABEL, CREEP LOCK		1	1					
26	1	194448-65660	LABEL, CAUTION		1	1					
27	1	194448-65680	LABEL, DO NOT TOW		1	1					
29A	1	194170-65721	LABEL, SIDE MARK		2						
29B	1	194171-65721	LABEL, SIDE MARK			2					
30	1	194172-65730	LABEL, RANGE SHIFT		1	1					
31	1	194324-65860	LABEL, DRAFT LOCK		1	1					
32	1	194240-98221	LABEL, FUEL OIL		1	1					
33	1	194240-98251	LABEL, KEY SWITCH		1	1					
34	1	194240-98281	LABEL, CLUTCH		1	1					
35	1	121241-07150	LABEL, WATER DRAIN		1	1					
36	1	124040-07160	LABEL, VALVE ADJUST.		1	1					
37	1	121440-12480	LABEL, AIR CLEANER(F		1	1					
38	1	121440-12520	LABEL, PRE-CLEANER(F		1	1					
39	1	124740-44810	LABEL, SUB-TANK		1	1					
40	1	124740-44920	LABEL, ANTI-FREEZING		1	1					
41	1	124740-44800	LABEL, RADIATOR		1	1					
42	1	124740-77980	LABEL, FUEL CAUTION		1	1					
44	1	102210-07990	RIVET		4	4					

Fig. 90 LABELS (ENGLISH)

(A)=YM276 (D)=  
 (B)=YM276D (E)=  
 (C)= (F)=

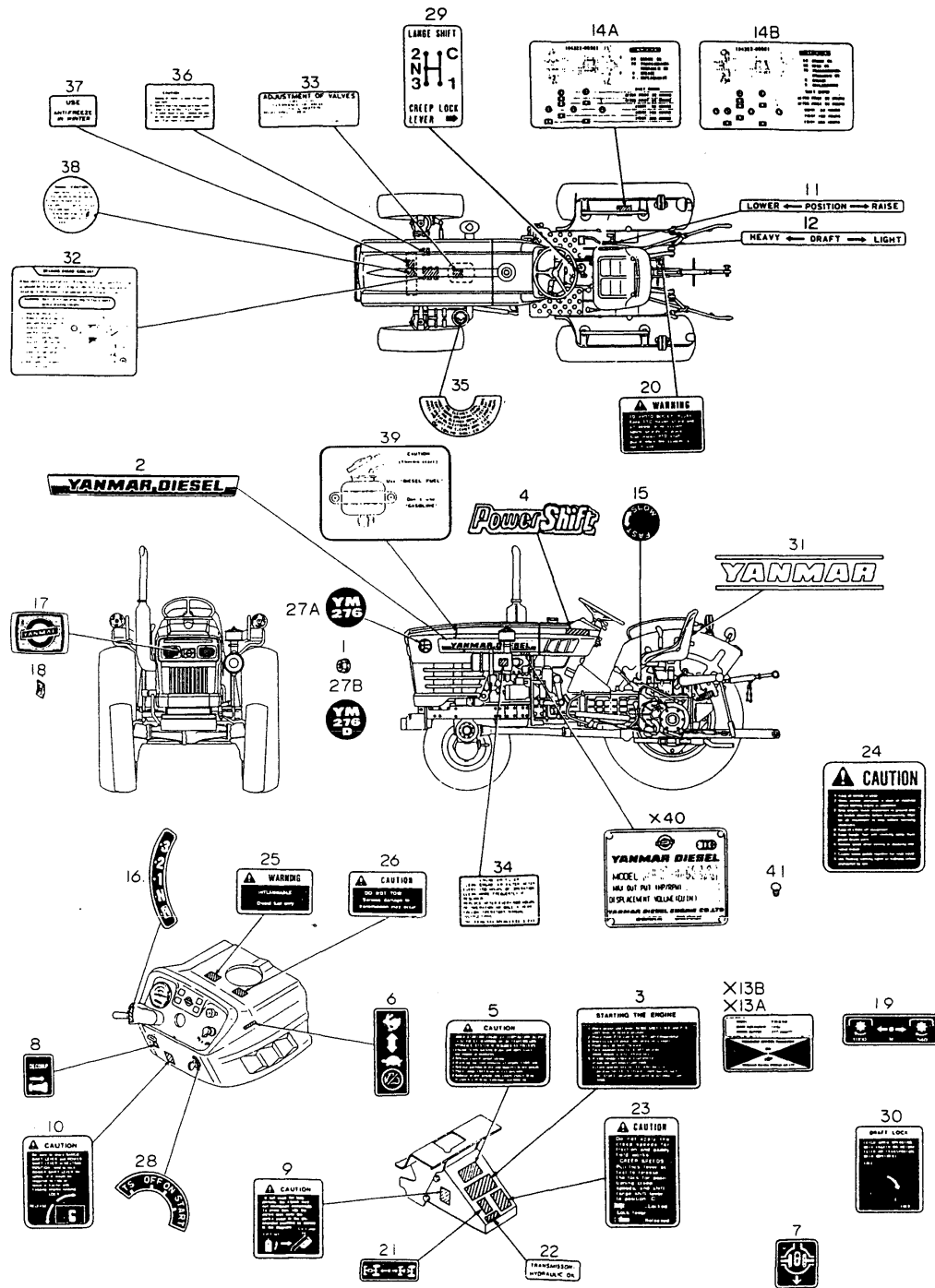


REF.	LEV.	PARTS NO.	DESCRIPTION	QTY						I	R
				(A)	(B)	(C)	(D)	(E)	(F)		
1	1	194990-22120	NUT W/WASHER 5	4	4						
2	1	194371-64751	LABEL, MODEL	2	2						
3	1	194446-65352	LABEL, ENG. STARTING	1	1						
4	1	194800-65350	LABEL, MAIN SHIFT	2	2						
5	1	194446-65361	LABEL, COLD STARTING	1	1						
6	1	194240-65432	LABEL, THROTTLE LEVER	1	1						
7	1	194240-65441	LABEL, DIFF. LOCK	1	1						
8	1	194370-65451	LABEL, DECOMPRESSION	1	1						
9	1	194370-65461	LABEL, CLUTCH CAUTION	1	1						
10	1	194170-65470	LABEL, LEVER POSITION	1	1						
11	1	194170-65510	LABEL, HYDRAULIC LIFT	1	1						
12	1	194170-65520	LABEL, HYDRAULIC LIFT	1	1						
14A	1	194322-65561	LABEL, LUBRICATION	1							
14B	1	194323-65561	LABEL, LUBRICATION		1						
15	1	194170-65570	LABEL, SLOW RETURN	1	1						
16	1	194170-65580	LABEL, MAIN SHIFT	1	1						
17	1	194200-65601	EMBLEM, FRONT	1	1						
18	1	194200-65610	NUT 5	2	2						
19	1	194273-65611	LABEL, P.T.O. SHIFT	1	1						
20	1	194170-65620	LABEL, WARNING	1	1						
21	1	194447-65621	LABEL, 4-DRIVE WHEEL	1	1						
22	1	194446-65630	LABEL, GEAR OIL	1	1						
23	1	194170-65650	LABEL, CREEP LOCK	1	1						
24	1	194275-65660	LABEL, CAUTION	1	1						
25	1	194240-65671	LABEL, FUEL INDICAT.	1	1						
26	1	194446-65681	LABEL, DO NOT TOW	1	1						
27A	1	194170-65721	LABEL, SIDE MARK	2							
27B	1	194171-65721	LABEL, SIDE MARK		2						
28	1	194310-65720	LABEL, KEY SWITCH	1	1						
29	1	194170-65730	LABEL, RANGE SHIFT	1	1						
30	1	194322-65861	LABEL, DRAFT LOCK	1	1						
31	1	194170-65891	LABEL, SEAT	1	1						
32	1	121254-07150	LABEL, WATER DRAIN	1	1						
33	1	124064-07160	LABEL, VALVE ADJUST.	1	1						
34	1	121454-12520	LABEL, AIR-CLEANER	1	1						
35	1	121454-12480	LABEL, PRE-CLEANER	1	1						
36	1	124764-44810	LABEL, RESERVE TANK	1	1						
37	1	124764-44920	LABEL, ANTI-FREEZING	1	1						
38	1	124764-44800	LABEL, RADIATOR	1	1						
39	1	124764-77980	LABEL, FUEL CAUTION	1	1						
41	1	102210-07990	RIVET	4	4						

Fig. 91 LABELS (SCANDINAVIA)

Y00T2321 91. LABEL(SCANDINAVIA)

(A)=YM276 (D)=  
 (B)=YM276D (E)=  
 (C)= (F)=

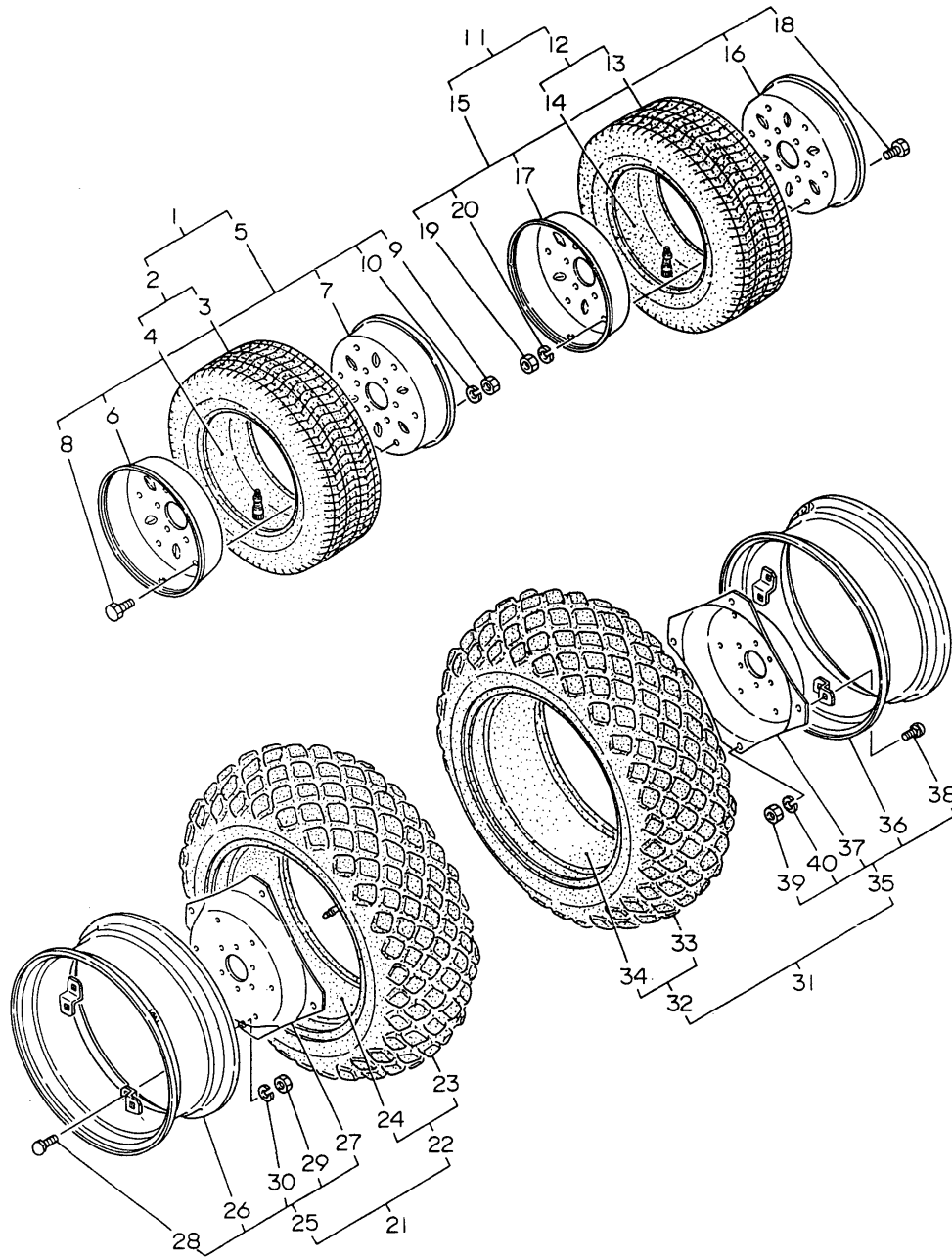


REF.	LEV.	PARTS NO.	DESCRIPTION	QTY						I	R
				(A)	(B)	(C)	(D)	(E)	(F)		
1	1	194990-22120	NUT W/WASHER 5	4	4						
2	1	194371-64751	LABEL, MODEL	2	2						
3	1	194446-65352	LABEL, ENG. STARTING	1	1						
4	1	194800-65350	LABEL, MAIN SHIFT	2	2						
5	1	194446-65361	LABEL, COLD STARTING	1	1						
6	1	194240-65432	LABEL, THROTTLE LEVER	1	1						
7	1	194240-65441	LABEL, DIFF. LOCK	1	1						
8	1	194370-65451	LABEL, DECOMPRESSION	1	1						
9	1	194370-65461	LABEL, CLUTCH CAUTION	1	1						
10	1	194170-65470	LABEL, LEVER POSITION	1	1						
11	1	194170-65510	LABEL, HYDRAULIC LIFT	1	1						
12	1	194170-65520	LABEL, HYDRAULIC LIFT	1	1						
14A	1	194322-65561	LABEL, LUBRICATION	1							
14B	1	194323-65561	LABEL, LUBRICATION		1						
15	1	194170-65570	LABEL, SLOW RETURN	1	1						
16	1	194170-65580	LABEL, MAIN SHIFT	1	1						
17	1	194200-65601	EMBLEM, FRONT	1	1						
18	1	194200-65610	NUT 5	2	2						
19	1	194273-65611	LABEL, P.T.O. SHIFT	1	1						
20	1	194170-65620	LABEL, WARNING	1	1						
21	1	194447-65621	LABEL, 4-DRIVE WHEEL	1	1						
22	1	194446-65630	LABEL, GEAR OIL	1	1						
23	1	194170-65650	LABEL, CREEP LOCK	1	1						
24	1	194275-65660	LABEL, CAUTION	1	1						
25	1	194240-65671	LABEL, FUEL INDICAT.	1	1						
26	1	194446-65681	LABEL, DO NOT TOW	1	1						
27A	1	194170-65721	LABEL, SIDE MARK	2							
27B	1	194171-65721	LABEL, SIDE MARK		2						
28	1	194310-65720	LABEL, KEY SWITCH	1	1						
29	1	194170-65730	LABEL, RANGE SHIFT	1	1						
30	1	194322-65861	LABEL, DRAFT LOCK	1	1						
31	1	194170-65891	LABEL, SEAT	1	1						
32	1	121254-07150	LABEL, WATER DRAIN	1	1						
33	1	124064-07160	LABEL, VALVE ADJUST.	1	1						
34	1	121454-12520	LABEL, AIR-CLEANER	1	1						
35	1	121454-12480	LABEL, PRE-CLEANER	1	1						
36	1	124764-44810	LABEL, RESERVE TANK	1	1						
37	1	124764-44920	LABEL, ANTI-FREEZE	1	1						
38	1	124764-44800	LABEL, RADIATOR	1	1						
39	1	124764-77980	LABEL, FUEL CAUTION	1	1						
41	1	102210-07990	RIVET	4	4						

Fig. 92 TURF-TIRES (STANDARD)

Y00T2321 92. TURF-TIRES(STANDARD)

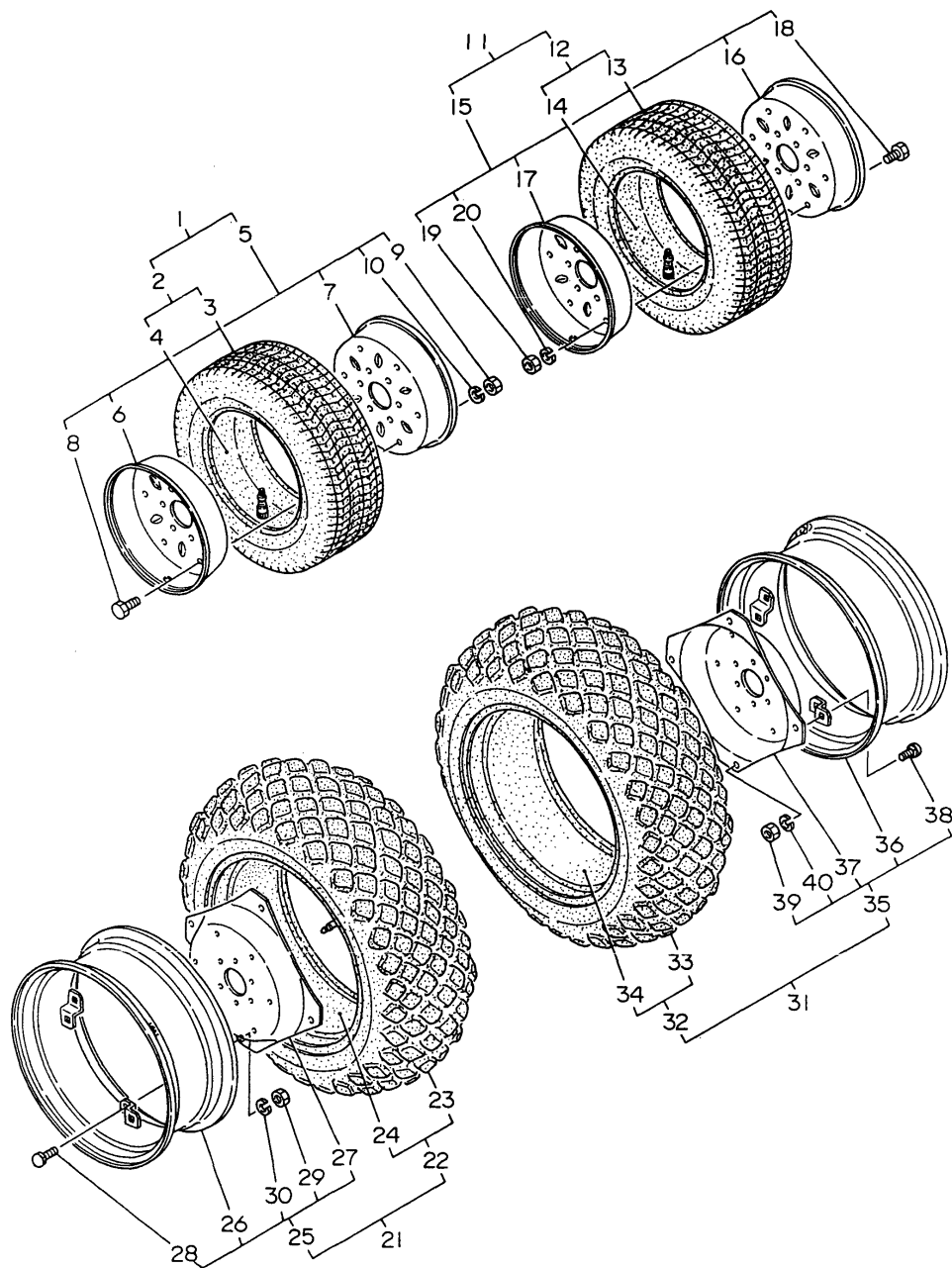
(A)=YM276 (D)=  
 (B)=YM276D (E)=  
 (C)= (F)=



REF.	LEV.	PARTS NO.	DESCRIPTION	QTY						I	R
				(A)	(B)	(C)	(D)	(E)	(F)		
1	1	794275-14700-Q	TIRE ASSY 8.5X15	1	1						
2	2	194275-12850	TIRE W/TUBE,8.50-15	1	1						
3	3	194275-12860	TIRE 27X 8.5-15	1	1						
4	3	194275-12870	TUBE	1	1						
5	2	194275-12810-Q	WHEEL ASSY 7.00-15DT	1	1						
6	3	194275-12820-Q	WHEEL (A)	1	1						
7	3	194275-12830-Q	WHEEL B	1	1						
8	3	26116-100202	BOLT M10X 20 PLATED	6	6						
9	3	26716-100002	NUT M10	6	6						
10	3	22217-100000	SPRING WASHER 10	6	6						
11	1	794275-14800-Q	TIRE ASSY 8.5X15	1	1						
12	2	194275-12850	TIRE W/TUBE,8.50-15	1	1						
13	3	194275-12860	TIRE 27X 8.5-15	1	1						
14	3	194275-12870	TUBE	1	1						
15	2	194275-12810-Q	WHEEL ASSY 7.00-15DT	1	1						
16	3	194275-12820-Q	WHEEL (A)	1	1						
17	3	194275-12830-Q	WHEEL B	1	1						
18	3	26116-100202	BOLT M10X 20 PLATED	6	6						
19	3	26716-100002	NUT M10	6	6						
20	3	22217-100000	SPRING WASHER 10	6	6						
21	1	194170-34500-Q	TIRE ASSY 11.2X24	1	1						
22	2	194241-34770	TIRE W/TUBE 11.2-24	1	1						
23	3	194241-34760	TIRE 11.2X 10-24	1	1						
24	3	194241-34730	TUBE	1	1						
25	2	794130-34880-Q	WHEEL W 9X 24W	1	1						
26	3	194130-34891-Q	RIM W9-24	1	1						
27	3	194130-34811-Q	DISC	1	1						
28	3	194130-34850	BOLT M16X 35	4	4						R
28-1	3	194555-34850	BOLT M16X 35	4	4						
		(A=T/# 20590) (B=T/# 41480)									
29	3	194130-34840	NUT M16	4	4						
29-1	3	194555-34210	NUT M16	4	4						R
		(A=T/# 20590) (B=T/# 41480)									
30	3	22217-160000	SPRING WASHER 16	4	4						
30-1	3	194555-34190	SPRING WASHER 16	4	4						R
		(A=T/# 20590) (B=T/# 41480)									
31	1	194170-34600-Q	TIRE (R) ASSY, REAR	1	1						
32	2	194241-34770	TIRE W/TUBE 11.2-24	1	1						
33	3	194241-34760	TIRE 11.2X 10-24	1	1						
34	3	194241-34730	TUBE	1	1						
35	2	794130-34880-Q	WHEEL W 9X 24W	1	1						
36	3	194130-34891-Q	RIM W9-24	1	1						
37	3	194130-34811-Q	DISC	1	1						
38	3	194130-34850	BOLT M16X 35	4	4						
38-1	3	194555-34850	BOLT M16X 35	4	4						R
		(A=T/# 20590) (B=T/# 41480)									
39	3	194130-34840	NUT M16	4	4						
39-1	3	194555-34210	NUT M16	4	4						R
		(A=T/# 20590) (B=T/# 41480)									
40	3	22217-160000	SPRING WASHER 16	4	4						
40-1	3	194555-34190	SPRING WASHER 16	4	4						R
		(A=T/# 20590) (B=T/# 41480)									



Fig. 93 TURF-TIRES (FRANCE)



Y00T2321 93. TURF-TIRES(FRANCE)

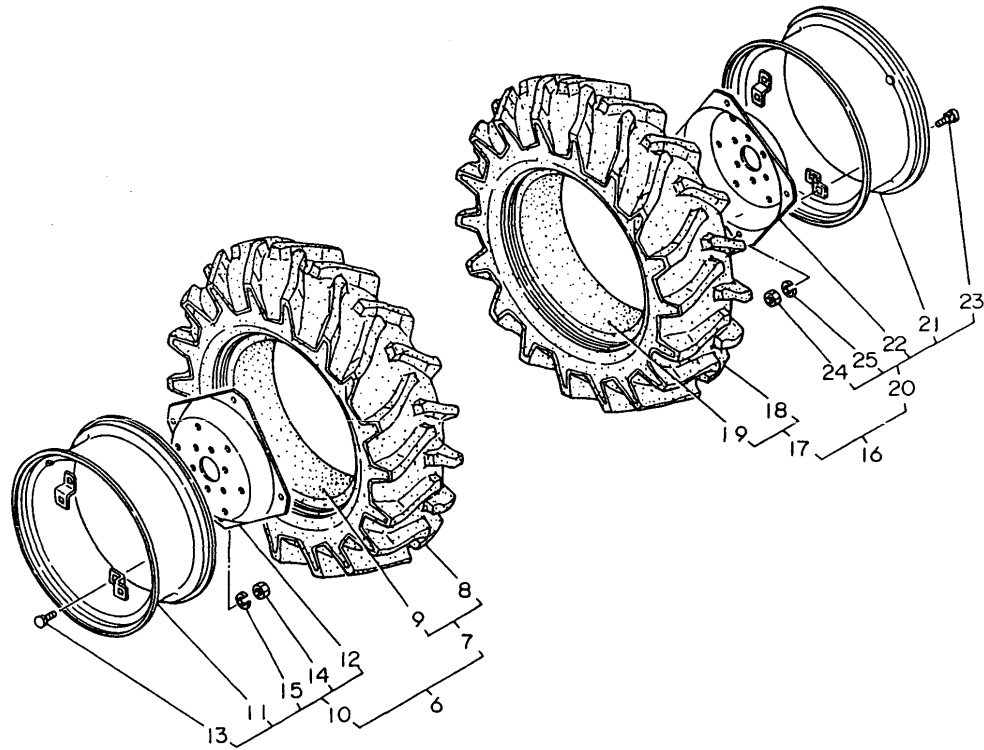
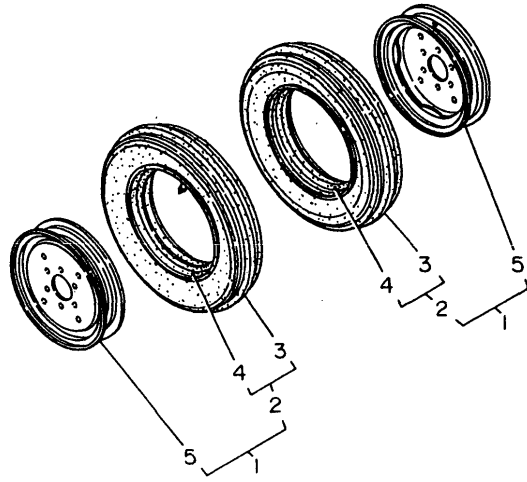
(A)=YM276 (D)=  
 (B)=YM276D (E)=  
 (C)= (F)=

REF.	LEV.	PARTS NO.	DESCRIPTION	QTY						I	R
				(A)	(B)	(C)	(D)	(E)	(F)		
1	1	794275-14700-P	TIRE(L) ASSY, FRONT	1	1						
2	2	194275-12850	TIRE W/TUBE,8.50-15	1	1						
3	3	194275-12860	TIRE 27X 8.5-15	1	1						
4	3	194275-12870	TUBE	1	1						
5	2	194275-12810-P	WHEEL ASSY 7.00-15DT	1	1						
6	3	194275-12820-P	WHEEL (A)	1	1						
7	3	194275-12830-P	WHEEL B	1	1						
8	3	26116-100202	BOLT M10X 20 PLATED	6	6						
9	3	26716-100002	NUT M10	6	6						
10	3	22217-100000	SPRING WASHER 10	6	6						
11	1	794275-14800-P	TIRE(R) ASSY, FRONT	1	1						
12	2	194275-12850	TIRE W/TUBE,8.50-15	1	1						
13	3	194275-12860	TIRE 27X 8.5-15	1	1						
14	3	194275-12870	TUBE	1	1						
15	2	194275-12810-P	WHEEL ASSY 7.00-15DT	1	1						
16	3	194275-12820-P	WHEEL (A)	1	1						
17	3	194275-12830-P	WHEEL B	1	1						
18	3	26116-100202	BOLT M10X 20 PLATED	6	6						
19	3	26716-100002	NUT M10	6	6						
20	3	22217-100000	SPRING WASHER 10	6	6						
21	1	194170-34500-P	TIRE ASSY(L),REAR	1	1						
22	2	194241-34770	TIRE W/TUBE 11.2-24	1	1						
23	3	194241-34760	TIRE 11.2X 10-24	1	1						
24	3	194241-34730	TUBE	1	1						
25	2	794130-34880-P	WHEEL W 9X 24W	1	1						
26	3	194130-34891-P	RIM W9-24	1	1						
27	3	194130-34811-P	DISC	1	1						
28	3	194130-34850	BOLT M16X 35	4	4						R
28-1	3	194555-34850	BOLT M16X 35	4	4						
		(A=T/# 20590) (B=T/# 41480)									
29	3	194130-34840	NUT M16	4	4						
29-1	3	194555-34210	NUT M16	4	4						R
		(A=T/# 20590) (B=T/# 41480)									
30	3	22217-160000	SPRING WASHER 16	4	4						
30-1	3	194555-34190	SPRING WASHER 16	4	4						R
		(A=T/# 20590) (B=T/# 41480)									
31	1	194170-34600-P	TIRE (R) ASSY, REAR	1	1						
32	2	194241-34770	TIRE W/TUBE 11.2-24	1	1						
33	3	194241-34760	TIRE 11.2X 10-24	1	1						
34	3	194241-34730	TUBE	1	1						
35	2	794130-34880-P	WHEEL W 9X 24W	1	1						
36	3	194130-34891-P	RIM W9-24	1	1						
37	3	194130-34811-P	DISC	1	1						
38	3	194130-34850	BOLT M16X 35	4	4						
38-1	3	194555-34850	BOLT M16X 35	4	4						R
		(A=T/# 20590) (B=T/# 41480)									
39	3	194130-34840	NUT M16	4	4						
39-1	3	194555-34210	NUT M16	4	4						R
		(A=T/# 20590) (B=T/# 41480)									
40	3	22217-160000	SPRING WASHER 16	4	4						
40-1	3	194555-34190	SPRING WASHER 16	4	4						R
		(A=T/# 20590) (B=T/# 41480)									

Fig. 94 AG TIRES (STANDARD) [For Model YM276]

Y00T2321 94. AG TIRES(FOR YM276,STANDARD)

(A)=YM276 (D)=  
 (B)=YM276D (E)=  
 (C)= (F)=

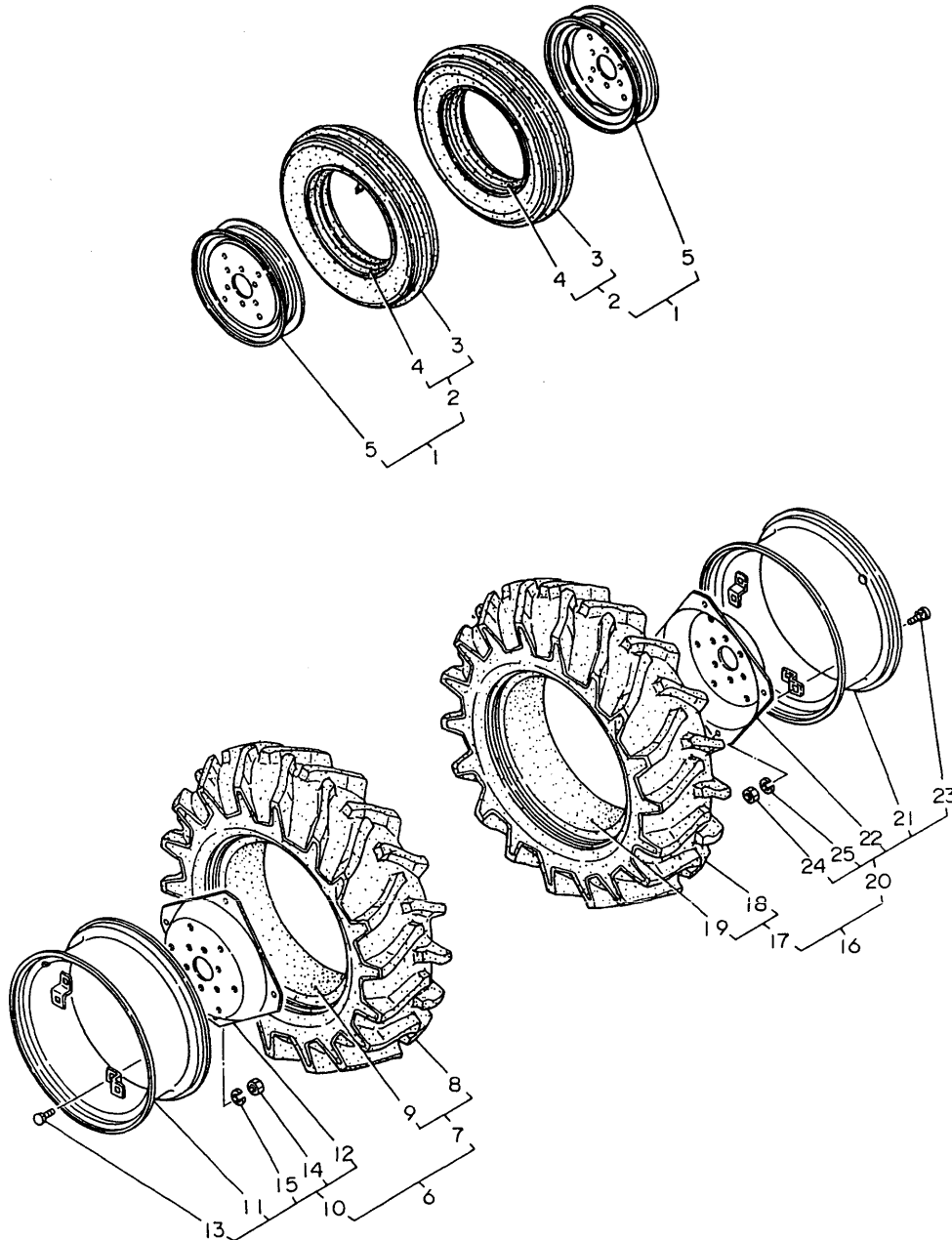


REF.	LEV.	PARTS NO.	DESCRIPTION	QTY						I	R
				(A)	(B)	(C)	(D)	(E)	(F)		
1	1	194432-12900-Q	TIRE ASSY 5 X15	2							
2	2	794081-12950	TIRE W/TUBE 5.00-15	2							
3	3	194081-12960	TIRE 5 X15	2							
4	3	194081-12970	TUBE	2							
5	2	194275-12910-Q	WHEEL DC3.00-15	2							
6	1	194170-34700-Q	TIRE ASSY 12.4X24	1							
7	2	194170-34900	TIRE W/TUBE 12.4X24	1							
8	3	194170-34910	TIRE 12.4X 24	1							
9	3	194170-34920	TUBE	1							
10	2	194170-34880-Q	WHEEL W10X 24W	1							
11	3	194170-34820-Q	WHEEL W10X 24W	1							
12	3	194130-34811-Q	DISC	1							
13	3	194130-34850	BOLT M16X 35	4							
14	3	194130-34840	NUT M16	4							
15	3	22217-160000	SPRING WASHER 16	4							
16	1	194170-34800-Q	TIRE ASSY 12.4X24	1							
17	2	194170-34900	TIRE W/TUBE 12.4X24	1							
18	3	194170-34910	TIRE 12.4X 24	1							
19	3	194170-34920	TUBE	1							
20	2	194170-34880-Q	WHEEL W10X 24W	1							
21	3	194170-34820-Q	WHEEL W10X 24W	1							
22	3	194130-34811-Q	DISC	1							
23	3	194130-34850	BOLT M16X 35	4							
24	3	194130-34840	NUT M16	4							
25	3	22217-160000	SPRING WASHER 16	4							

Fig. 95 AG TIRES (FRANCE) [For Model YM276]

Y00T2321 95. AG TIRES(FOR YM276,FRANCE)

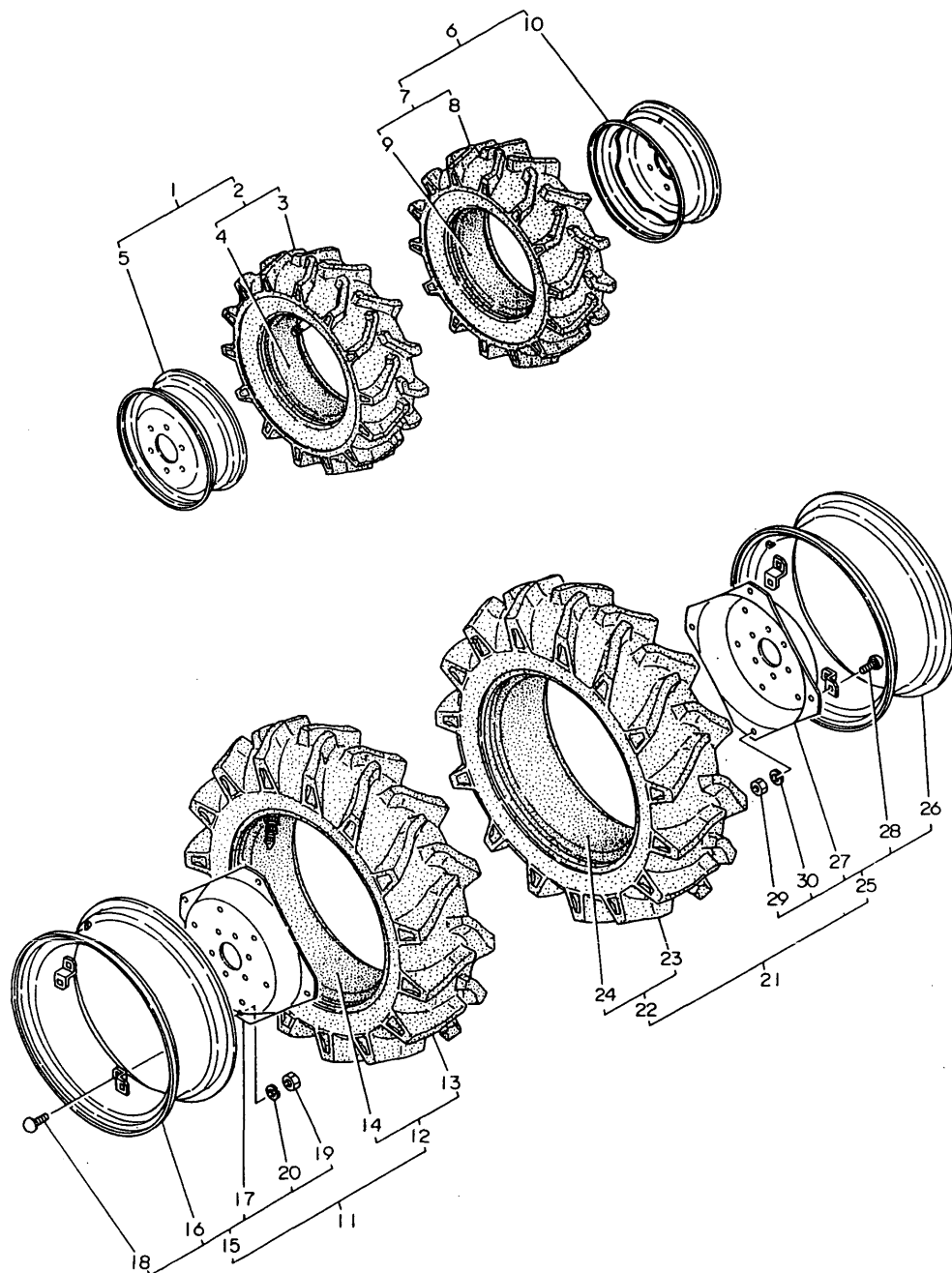
(A)=YM276 (D)=  
 (B)=YM276D (E)=  
 (C)= (F)=



REF.	LEV.	PARTS NO.	DESCRIPTION	QTY						I	R
				(A)	(B)	(C)	(D)	(E)	(F)		
1	1	194432-12900-P	TIRE ASSY,FRONT	2							
2	2	794081-12950	TIRE W/TUBE 5.00-15	2							
3	3	194081-12960	TIRE 5 X15	2							
4	3	194081-12970	TUBE	2							
5	2	194275-12910-P	WHEEL DC3.00DX15	2							
6-1	1	194432-34700-P	TIRE (L) ASSY, REAR	1							
7-1	2	194432-34900	TIRE W/TUBE11.2X24	1							
8-1	3	194432-34910	TIRE	1							
9-1	3	194432-34920	TUBE	1							
10-1	2	794130-34880-P	WHEEL W 9X 24W	1							
11-1	3	194130-34891-P	RIM W9-24	1							
12	3	194130-34811-P	DISC	1							
13	3	194130-34850	BOLT M16X 35	4							
13-1	3	194555-34850	BOLT M16X 35	4							R
(A=T/# 20590)											
14	3	194130-34840	NUT M16	4							
14-1	3	194555-34210	NUT M16	4							R
(A=T/# 20590)											
15	3	22217-160000	SPRING WASHER 16	4							
15-1	3	194555-34190	SPRING WASHER 16	4							R
(A=T/# 20590)											
16-1	1	194432-34800-P	TIRE (R) ASSY, REAR	1							
17-1	2	194432-34900	TIRE W/TUBE11.2X24	1							
18-1	3	194432-34910	TIRE	1							
19-1	3	194432-34920	TUBE	1							
20-1	2	794130-34880-P	WHEEL W 9X 24W	1							
21-1	3	194130-34891-P	RIM W9-24	1							
22	3	194130-34811-P	DISC	1							
23	3	194130-34850	BOLT M16X 35	4							
23-1	3	194555-34850	BOLT M16X 35	4							R
(A=T/# 20590)											
24	3	194130-34840	NUT M16	4							
24-1	3	194555-34210	NUT M16	4							R
(A=T/# 20590)											
25	3	22217-160000	SPRING WASHER 16	4							
25-1	3	194555-34190	SPRING WASHER 16	4							R
(A=T/# 20590)											

Fig. 96 AG TIRES (STANDARD) [For Model YM276D]

(A)=YM276 (D)=  
 (B)=YM276D (E)=  
 (C)= (F)=

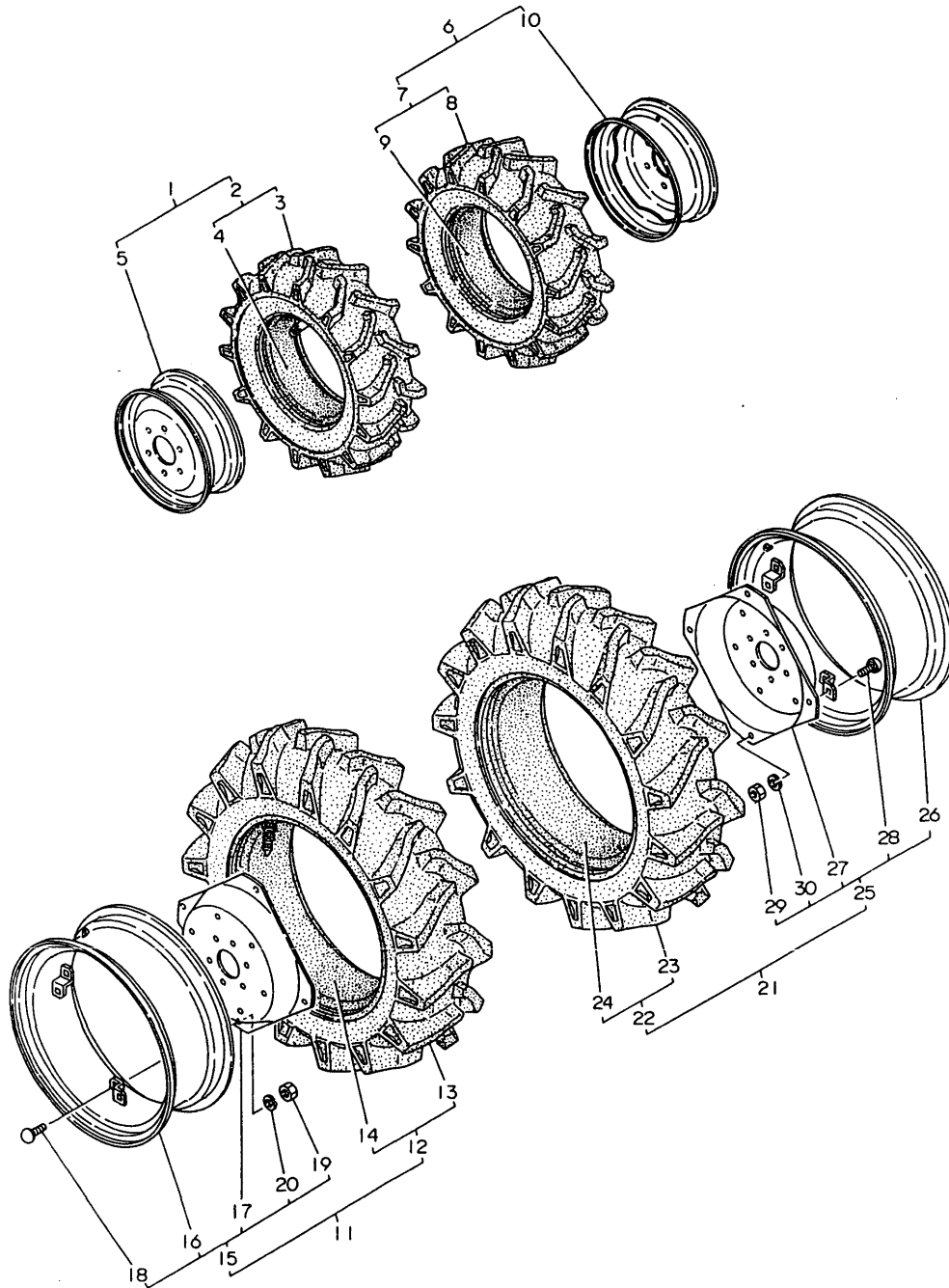


REF.	LEV.	PARTS NO.	DESCRIPTION	QTY						I	R
				(A)	(B)	(C)	(D)	(E)	(F)		
1	1	794171-14700-Q	TIRE ASSY		1						
1-1	1	198351-14750-Q (B=T/# 41611)	TIRE(L) ASSY, FRONT		1						S
2	2	194171-14800	TIRE W/TUBE 7-14		1						
3	3	194171-14810	TIRE		1						
4	3	194171-14820	TUBE		1						
5	2	194311-14700-Q	WHEEL DC5JAX14W		1						
5-1	2	198351-14700 (B=T/# 41611)	WHEEL 5JAX14WDC		1						S
6	1	794171-14800-Q	TIRE ASSY 5.5X16		1						
6-1	1	198351-14850-Q (B=T/# 41611)	TIRE(R) ASSY, FRONT		1						S
7	2	194171-14800	TIRE W/TUBE 7-14		1						
8	3	194171-14810	TIRE		1						
9	3	194171-14820	TUBE		1						
10	2	194311-14700-Q	WHEEL DC5JAX14W		1						
10-1	2	198351-14700 (B=T/# 41611)	WHEEL 5JAX14WDC		1						S
11	1	194432-34700-Q	TIRE ASSY 11.2X24		1						
12	2	194432-34900	TIRE W/TUBE 11.2X24		1						
13	3	194432-34910	TIRE 11.2-24		1						
14	3	194432-34920	TUBE		1						
15	2	794130-34880-Q	WHEEL W 9X 24W		1						
16	3	194130-34891-Q	RIM W9-24		1						
17	3	194130-34811-Q	DISC		1						
18	3	194130-34850	BOLT M16X 35		4						
18-1	3	194555-34850 (B=T/# 41480)	BOLT M16X 35		4						R
19	3	194130-34840	NUT M16		4						
19-1	3	194555-34210 (B=T/# 41480)	NUT M16		4						R
20	3	22217-160000	SPRING WASHER 16		4						
20-1	3	194555-34190 (B=T/# 41480)	SPRING WASHER 16		4						R
21	1	194432-34800-Q	TIRE ASSY 11.2X24		1						
22	2	194432-34900	TIRE W/TUBE 11.2X24		1						
23	3	194432-34910	TIRE 11.2-24		1						
24	3	194432-34920	TUBE		1						
25	2	794130-34880-Q	WHEEL W 9X 24W		1						
26	3	194130-34891-Q	RIM W9-24		1						
27	3	194130-34811-Q	DISC		1						
28	3	194130-34850	BOLT M16X 35		4						
28-1	3	194555-34850 (B=T/# 41480)	BOLT M16X 35		4						R
29	3	194130-34840	NUT M16		4						
29-1	3	194555-34210 (B=T/# 41480)	NUT M16		4						R
30	3	22217-160000	SPRING WASHER 16		4						
30-1	3	194555-34190 (B=T/# 41480)	SPRING WASHER 16		4						R

Fig. 97 AG TIRES (FRANCE & ENGLAND) (For Model YM276D)

Y00T2321 97. AG TIRES(YM276D,FRANCE&ENGLAND

(A)=YM276 (D)=  
 (B)=YM276D (E)=  
 (C)= (F)=

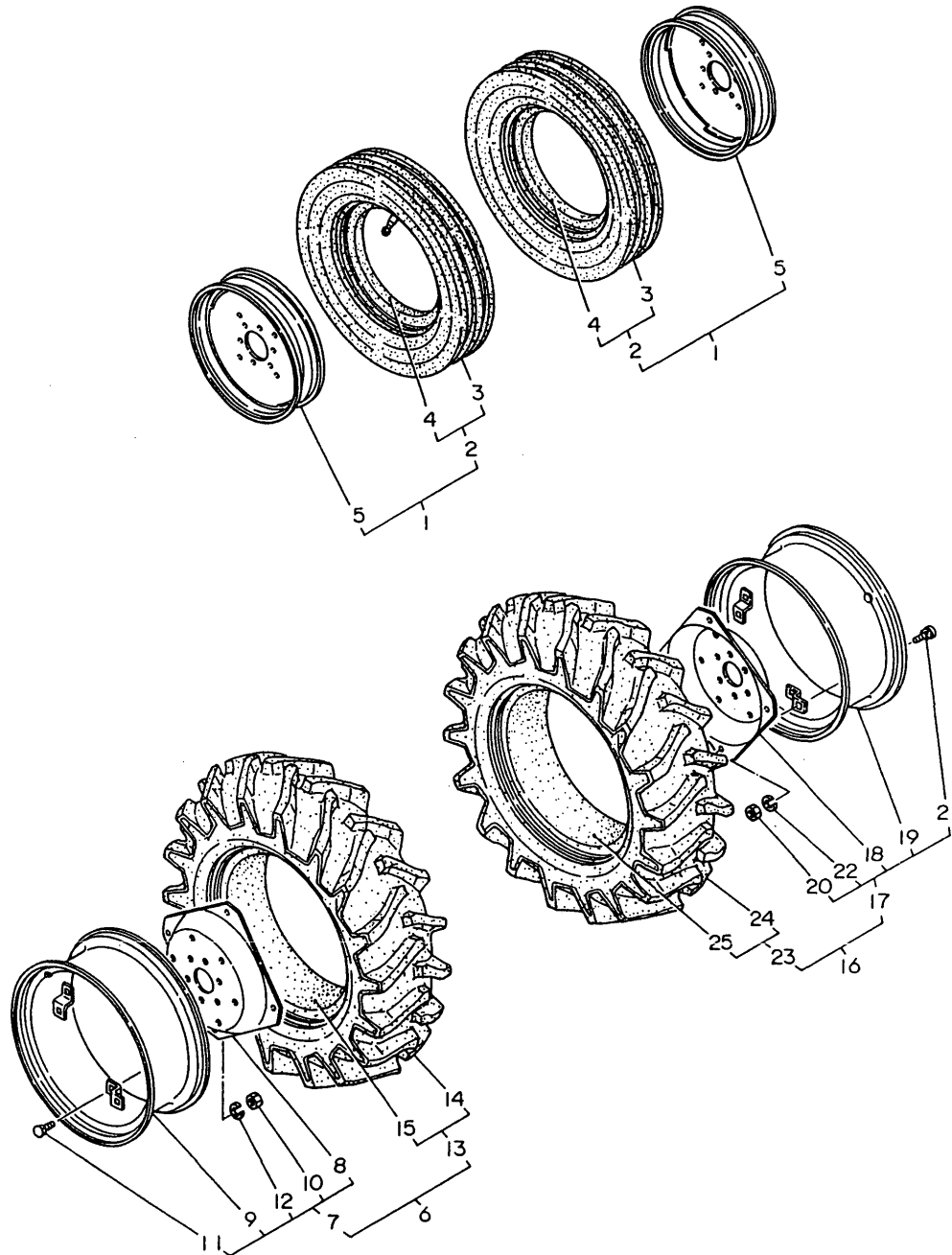


REF.	LEV.	PARTS NO.	DESCRIPTION	QTY						I	R
				(A)	(B)	(C)	(D)	(E)	(F)		
1	1	794171-14700-P	TIRE ASSY		1						
1-1	1	198351-14750-P (B=T/# 41611)	TIRE(L) ASSY, FRONT		1						S
2	2	194171-14800	TIRE W/TUBE 7-14		1						
3	3	194171-14810	TIRE		1						
4	3	194171-14820	TUBE		1						
5	2	194311-14700-P	WHEEL DC5JAX14W		1						
5-1	2	198351-14700-P (B=T/# 41611)	WHEEL 5JAX14WDC		1						S
6	1	794171-14800-P	TIRE ASSY 5.5X16		1						
6-1	1	198351-14850-P (B=T/# 41611)	TIRE(R) ASSY, FRONT		1						S
7	2	194171-14800	TIRE W/TUBE 7-14		1						
8	3	194171-14810	TIRE		1						
9	3	194171-14820	TUBE		1						
10	2	194311-14700-P	WHEEL DC5JAX14W		1						
10-1	2	198351-14700-P (B=T/# 41611)	WHEEL 5JAX14WDC		1						S
11	1	194432-34700-P	TIRE ASSY(L),REAR		1						
12	2	194432-34900	TIRE W/TUBE 11.2X24		1						
13	3	194432-34910	TIRE 11.2-24		1						
14	3	194432-34920	TUBE		1						
15	2	794130-34880-P	WHEEL W 9X 24W		1						
16	3	194130-34891-P	RIM W9-24		1						
17	3	194130-34811-P	DISC		1						
18	3	194130-34850	BOLT M16X 35		4						
18-1	3	194555-34850 (B=T/# 41480)	BOLT M16X 35		4						R
19	3	194130-34840	NUT M16		4						
19-1	3	194555-34210 (B=T/# 41480)	NUT M16		4						R
20	3	22217-160000	SPRING WASHER 16		4						
20-1	3	194555-34190 (B=T/# 41480)	SPRING WASHER 16		4						R
21	1	194432-34800-P	TIRE ASSY(R),REAR		1						
22	2	194432-34900	TIRE W/TUBE 11.2X24		1						
23	3	194432-34910	TIRE 11.2-24		1						
24	3	194432-34920	TUBE		1						
25	2	794130-34880-P	WHEEL W 9X 24W		1						
26	3	194130-34891-P	RIM W9-24		1						
27	3	194130-34811-P	DISC		1						
28	3	194130-34850	BOLT M16X 35		4						
28-1	3	194555-34850 (B=T/# 41480)	BOLT M16X 35		4						R
29	3	194130-34840	NUT M16		4						
29-1	3	194555-34210 (B=T/# 41480)	NUT M16		4						R
30	3	22217-160000	SPRING WASHER 16		4						
30-1	3	194555-34190 (B=T/# 41480)	SPRING WASHER 16		4						R

Fig. 98 LARGE TIRES (FOR YM276)

Y00T2321 98. LARGE TIRES(FOR YM276)

(A)=YM276 (D)=  
 (B)=YM276D (E)=  
 (C)= (F)=

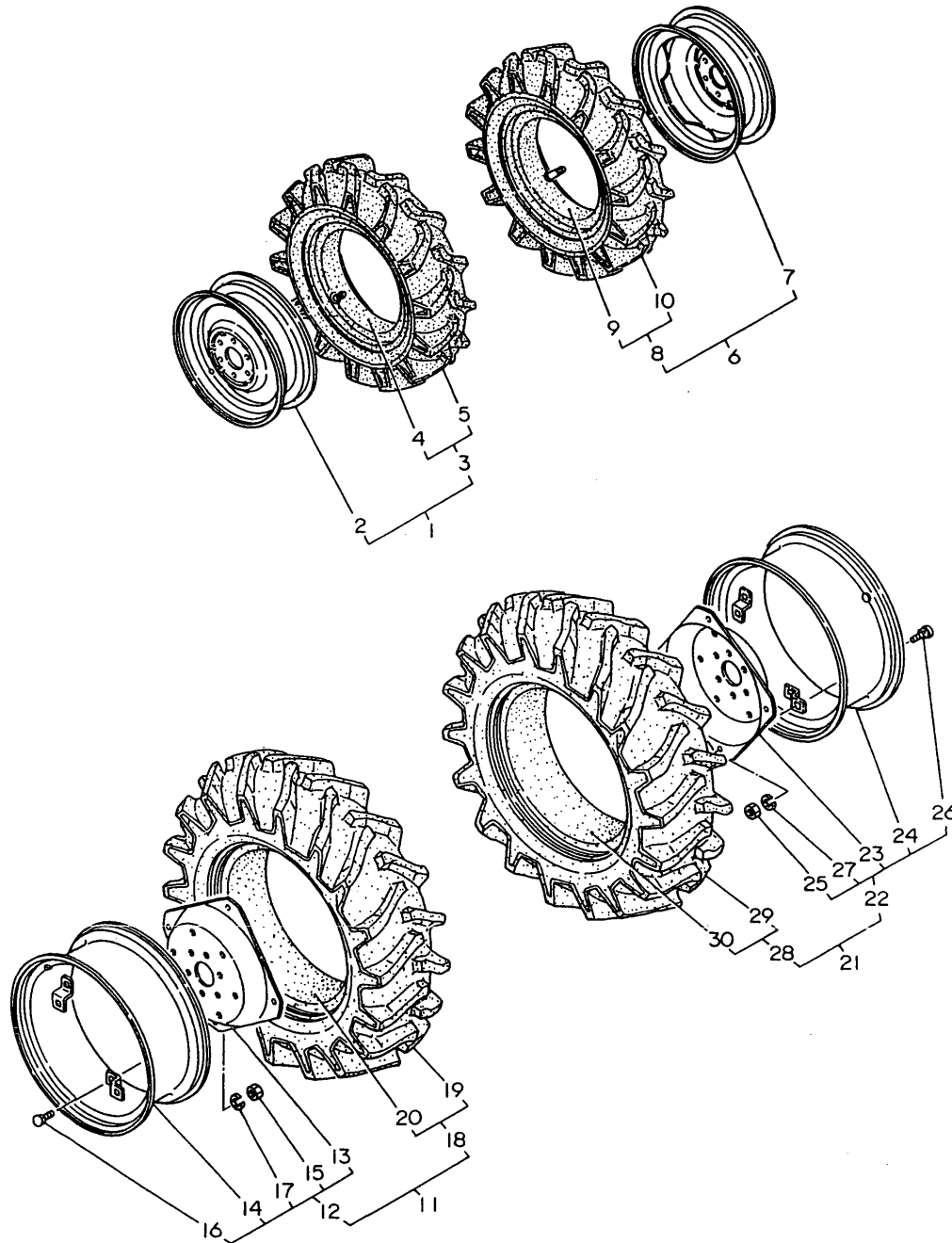


REF.	LEV.	PARTS NO.	DESCRIPTION	QTY						I	R
				(A)	(B)	(C)	(D)	(E)	(F)		
1	1	794145-12900-Q	TIRE ASSY, FRONT	2							
2	2	194145-12800	TIRE W/TUBE 5.00-16	2							
3	3	194145-12810	TIRE 5.5X 16	2							
4	3	194145-12820	TUBE 5.50-16	2							
5	2	194145-12900-Q	WHEEL DC4.00E-16	2							
6	1	194170-34700-Q	TIRE ASSY 12.4X24	1							
7	2	194170-34880-Q	WHEEL W10X 24W	1							
8	3	194130-34811-Q	DISC	1							
9	3	194170-34820-Q	WHEEL W10X 24W	1							
10	3	194130-34840	NUT M16	4							
10-1	3	194555-34210	NUT M16	4							R
(A=T/# 20590)											
11	3	194130-34850	BOLT M16X 35	4							
11-1	3	194555-34850	BOLT M16X 35	4							R
(A=T/# 20590)											
12	3	22217-160000	SPRING WASHER 16	4							
12-1	3	194555-34190	SPRING WASHER 16	4							R
(A=T/# 20590)											
13	2	194170-34900	TIRE W/TUBE 12.4X24	1							
14	3	194170-34910	TIRE 12.4X 24	1							
15	3	194170-34920	TUBE	1							
16	1	194170-34800-Q	TIRE ASSY 12.4X24	1							
17	2	194170-34880-Q	WHEEL W10X 24W	1							
18	3	194130-34811-Q	DISC	1							
19	3	194170-34820-Q	WHEEL W10X 24W	1							
20	3	194130-34840	NUT M16	4							
20-1	3	194555-34210	NUT M16	4							R
(A=T/# 20590)											
21	3	194130-34850	BOLT M16X 35	4							
21-1	3	194555-34850	BOLT M16X 35	4							R
(A=T/# 20590)											
22	3	22217-160000	SPRING WASHER 16	4							
22-1	3	194555-34190	SPRING WASHER 16	4							R
(A=T/# 20590)											
23	2	194170-34900	TIRE W/TUBE 12.4X24	1							
24	3	194170-34910	TIRE 12.4X 24	1							
25	3	194170-34920	TUBE	1							

Fig. 99 LARGE TIRES (FOR YM276D)

Y00T2321 99. LARGE TIRES(FOR YM276D)

(A)=YM276 (D)=  
 (B)=YM276D (E)=  
 (C)= (F)=

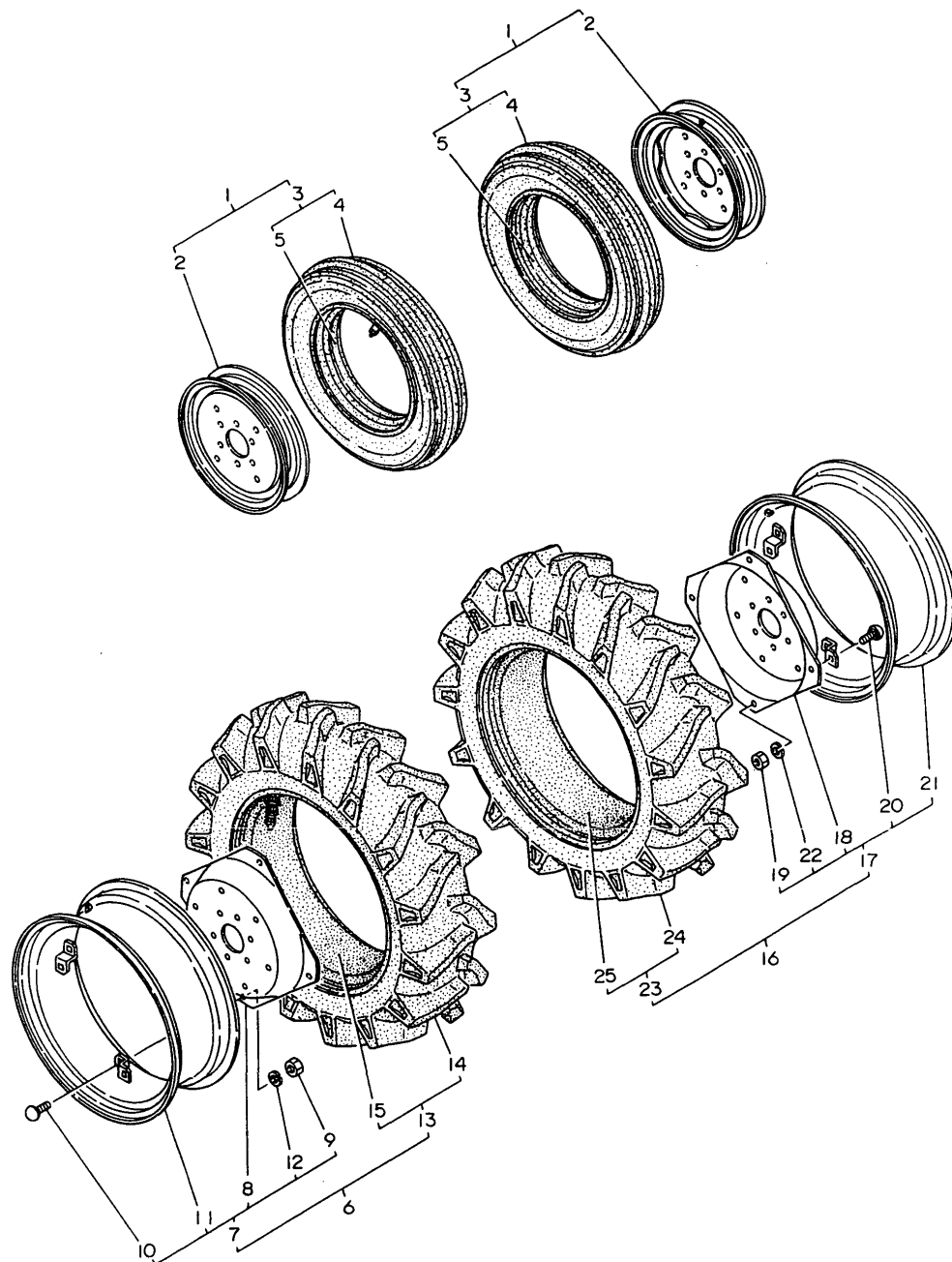


REF.	LEV.	PARTS NO.	DESCRIPTION	QTY						I	R
				(A)	(B)	(C)	(D)	(E)	(F)		
1	1	794416-14700-Q	TIRE (L) ASSY, FRONT		1						
2	2	194279-14700-Q	WHEEL DC5JAX16WDC		1						
3	2	194321-14850	TIRE W/TUBE 7-16(F).		1						
4	3	194321-14820	TUBE		1						
5	3	194321-14860	TIRE 7-16		1						
6	1	794416-14800-Q	TIRE (R) ASSY, FRONT		1						
7	2	194279-14700-Q	WHEEL DC5JAX16WDC		1						
8	2	194321-14850	TIRE W/TUBE 7-16(F).		1						
9	3	194321-14820	TUBE		1						
10	3	194321-14860	TIRE 7-16		1						
11	1	194170-34700-Q	TIRE ASSY 12.4X24		1						
12	2	194170-34880-Q	WHEEL W10X 24W		1						
13	3	194130-34811-Q	DISC		1						
14	3	194170-34820-Q	WHEEL W10X 24W		1						
15	3	194130-34840	NUT M16		4						
15-1	3	194555-34210	NUT M16 (B=T/# 41480)		4						R
16	3	194130-34850	BOLT M16X 35		4						
16-1	3	194555-34850	BOLT M16X 35 (B=T/# 41480)		4						R
17	3	22217-160000	SPRING WASHER 16		4						
17-1	3	194555-34190	SPRING WASHER 16 (B=T/# 41480)		4						R
18	2	194170-34900	TIRE W/TUBE12.4X24		1						
19	3	194170-34910	TIRE 12.4X 24		1						
20	3	194170-34920	TUBE		1						
21	1	194170-34800-Q	TIRE ASSY 12.4X24		1						
22	2	194170-34880-Q	WHEEL W10X 24W		1						
23	3	194130-34811-Q	DISC		1						
24	3	194170-34820-Q	WHEEL W10X 24W		1						
25	3	194130-34840	NUT M16		4						
25-1	3	194555-34210	NUT M16 (B=T/# 41480)		4						R
26	3	194130-34850	BOLT M16X 35		4						
26-1	3	194555-34850	BOLT M16X 35 (B=T/# 41480)		4						R
27	3	22217-160000	SPRING WASHER 16		4						
27-1	3	194555-34190	SPRING WASHER 16 (B=T/# 41480)		4						R
28	2	194170-34900	TIRE W/TUBE12.4X24		1						
29	3	194170-34910	TIRE 12.4X 24		1						
30	3	194170-34920	TUBE		1						

Fig. 100 AG TIRES (EUROPE & SCANDINAVIA) [For Model YM276]

Y00T2321 100. AG TIRES(YM276,EUROPE & SCANDI

(A)=YM276 (D)=  
 (B)=YM276D (E)=  
 (C)= (F)=



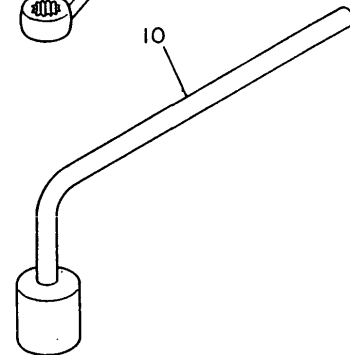
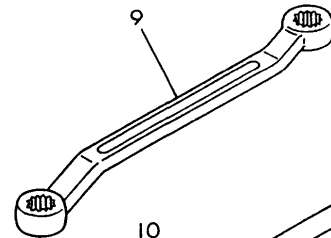
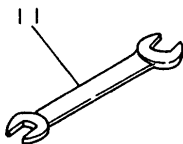
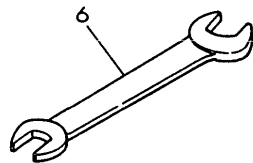
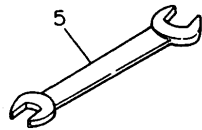
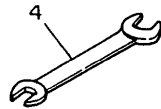
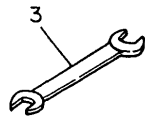
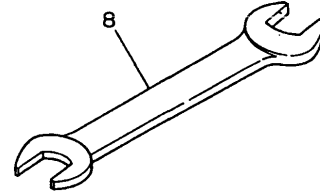
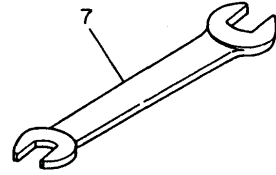
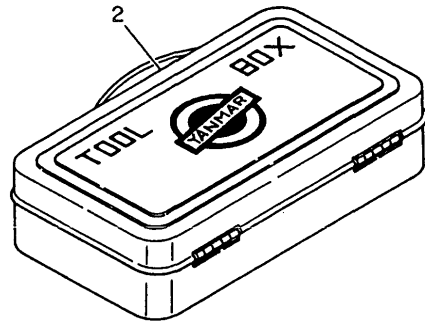
REF.	LEV.	PARTS NO.	DESCRIPTION	QTY						I	R
				(A)	(B)	(C)	(D)	(E)	(F)		
1	1	194432-12900	TIRE ASSY,FRONT	2							
2	2	194275-12910	WHEEL DC3.00*15	2							
3	2	794081-12950	TIRE W/TUBE 5.00-15	2							
4	3	194081-12960	TIRE 5 X15	2							
5	3	194081-12970	TUBE	2							
6	1	194432-34700	TIRE ASSY(L),REAR	1							
7	2	794130-34880	WHEEL DCW9X24W ASSY	1							
8	3	194130-34811	DISC	1							
9	3	194130-34840	NUT M16	4							
9-1	3	194555-34210	NUT M16	4							R
		(A=T/# 20590)									
10	3	194130-34850	BOLT M16X 35	4							
10-1	3	194555-34850	BOLT M16X 35	4							R
		(A=T/# 20590)									
11	3	194130-34891	RIM W9X24	1							
12	3	22217-160000	SPRING WASHER 16	4							
12-1	3	194555-34190	SPRING WASHER 16	4							R
		(A=T/# 20590)									
13	2	194432-34900	TIRE W/TUBE11.2X24	1							
14	3	194432-34910	TIRE 11.2-24	1							
15	3	194432-34920	TUBE	1							
16	1	194432-34800	TIRE ASSY(R),REAR	1							
17	2	794130-34880	WHEEL DCW9X24W ASSY	1							
18	3	194130-34811	DISC	1							
19	3	194130-34840	NUT M16	4							
19-1	3	194555-34210	NUT M16	4							R
		(A=T/# 20590)									
20	3	194130-34850	BOLT M16X 35	4							
20-1	3	194555-34850	BOLT M16X 35	4							R
		(A=T/# 20590)									
21	3	194130-34891	RIM W9X24	1							
22	3	22217-160000	SPRING WASHER 16	4							
22-1	3	194555-34190	SPRING WASHER 16	4							R
		(A=T/# 20590)									
23	2	194432-34900	TIRE W/TUBE11.2X24	1							
24	3	194432-34910	TIRE 11.2-24	1							
25	3	194432-34920	TUBE	1							



Fig. 101 TOOLS

Y00T2321 101. TOOLS

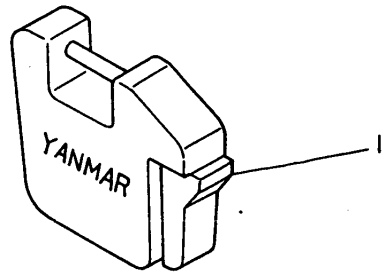
(A)=YM276 (D)=  
 (B)=YM276D (E)=  
 (C)= (F)=



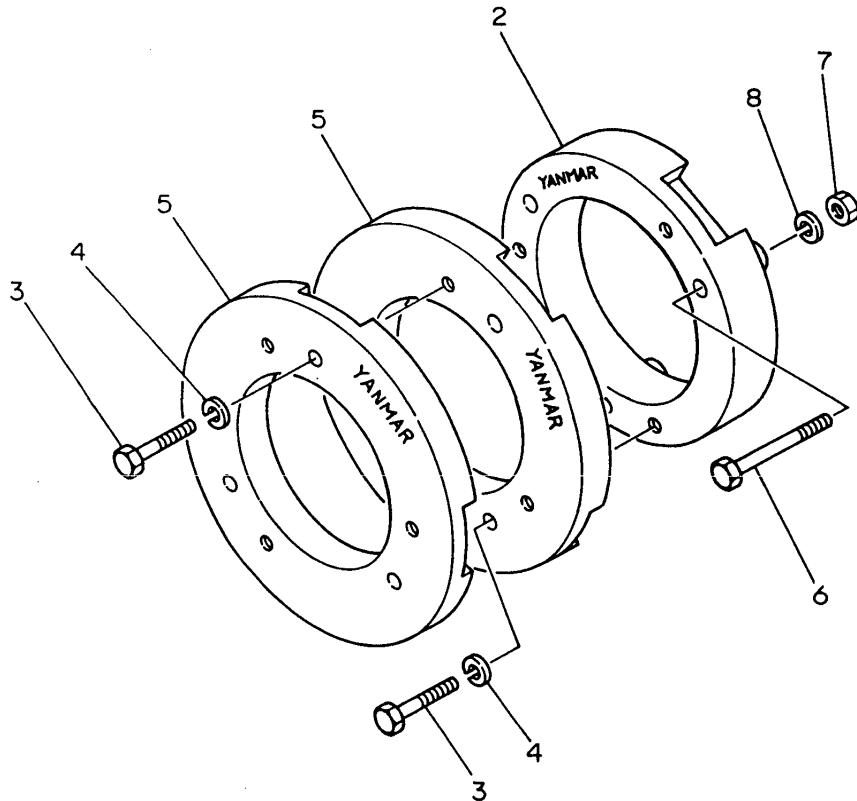
REF.	LEV.	PARTS NO.	DESCRIPTION	QTY						I	R
				(A)	(B)	(C)	(D)	(E)	(F)		
1	1	794322-82110	TOOL ASSY	1	1						
1-1	1	794322-82111	TOOL ASSY	1	1						N
		(A=*1982.10) (B=*1982.10)									
2	2	194322-82110-R	BOX, TOOL	1	1						
3	2	28110-080100	WRENCH 8X10	1	1						
4	2	28110-100130	WRENCH 10X13	1	1						Z
		(A=*1982.10) (B=*1982.10)									
5	2	28110-170190	WRENCH 17X19	1	1						
6	2	28110-220240	WRENCH 22X24	1	1						
7	2	28110-270300	WRENCH 27X30	1	1						
8	2	28110-260320	WRENCH 26X32	1	1						
9	2	194080-82110	WRENCH 17X19	1	1						
10	2	194145-82240	BOX WRENCH 26	1	1						
11	2	28110-120140	WRENCH 12X14	1	1						W
		(A=*1982.10) (B=*1982.10)									

Fig. 102 FRONT WEIGHT & REAR WHEEL WEIGHT

(A)=YM276 (D)=  
 (B)=YM276D (E)=  
 (C)= (F)=



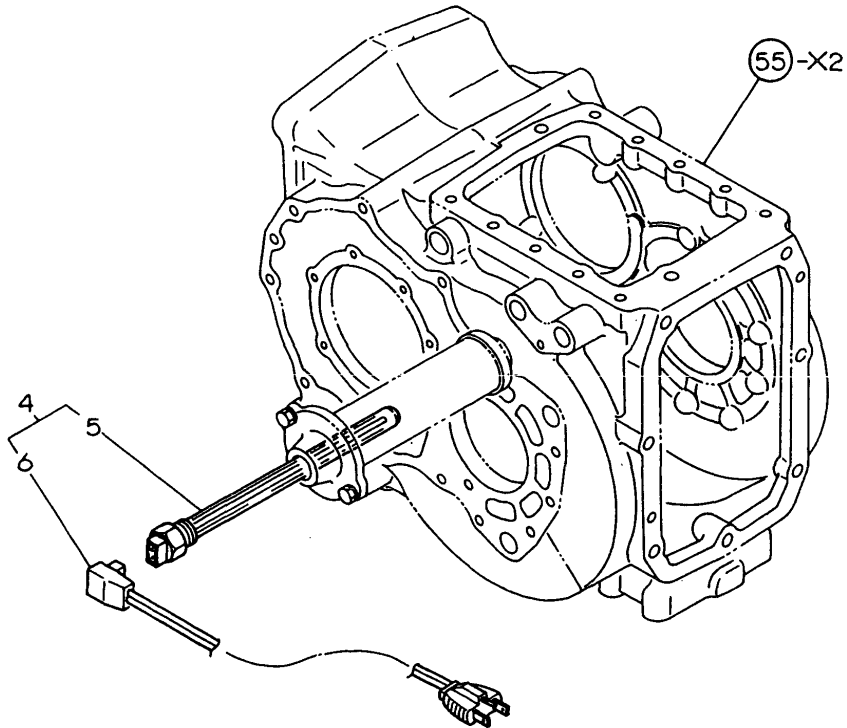
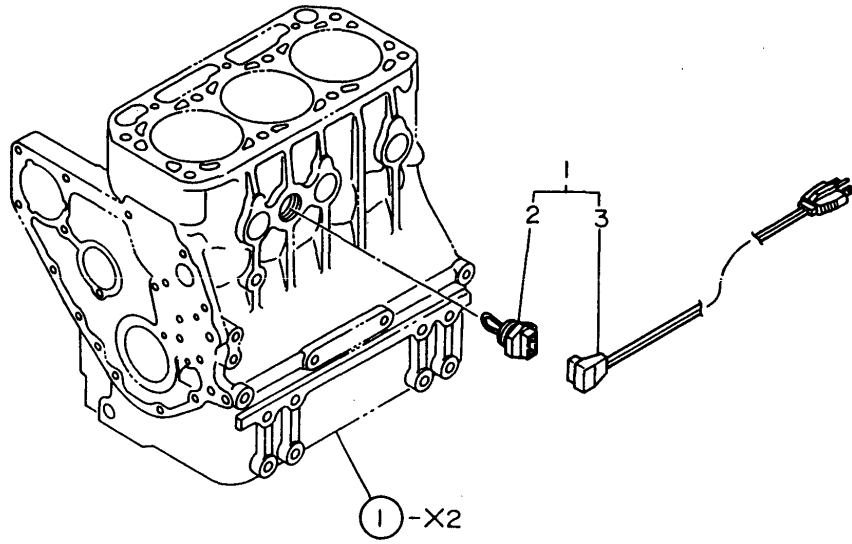
REF.	LEV.	PARTS NO.	DESCRIPTION	QTY						
				(A)	(B)	(C)	(D)	(E)	(F)	
1	1	194080-81111-R	WEIGHT 20KGS. FRONT	5	5					
2	1	194080-81230-R	WEIGHT 20KGS. REAR	2	2					
3	1	26116-160602	BOLT M16X 60 PLATED	12	12					
4	1	22217-160000	SPRING WASHER 16	12	12					
5	1	194080-81212-R	WEIGHT 25KGS. REAR	4	4					
6	1	26116-161102	BOLT M16X110 PLATED	6	6					
7	1	26716-160002	NUT M16	6	6					
8	1	22217-160000	SPRING WASHER 16	6	6					



**Fig. 103 HEATER [Optional Parts]**

Y00T2321 103. HEATER(U.S.A.ONLY)

(A)=YM276 (D)=  
 (B)=YM276D (E)=  
 (C)= (F)=

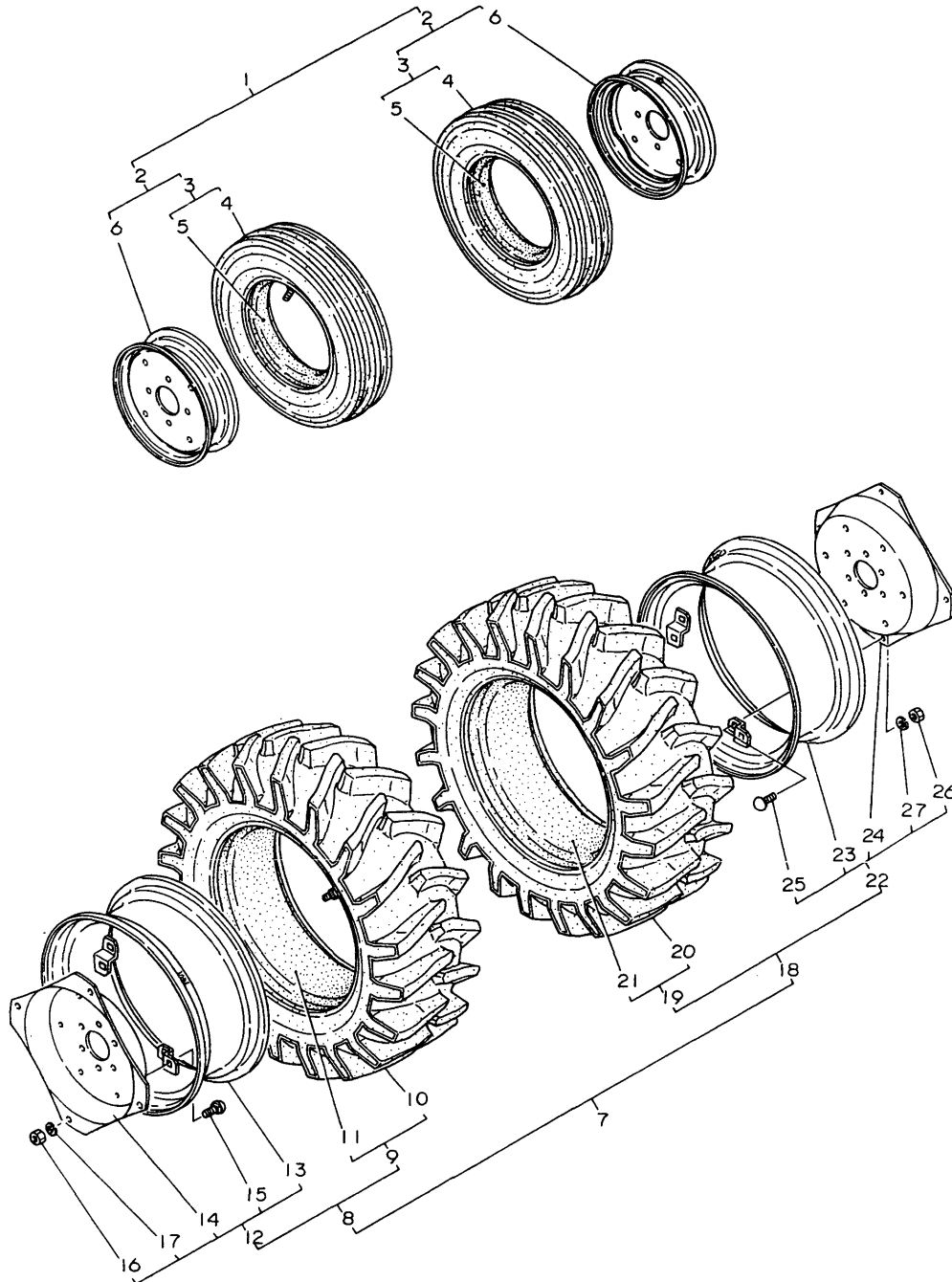


REF.	LEV.	PARTS NO.	DESCRIPTION	QTY						I	R	
				(A)	(B)	(C)	(D)	(E)	(F)			
1	1	YTI446-59100	ENGINE HEATER ASS'Y	1	1							1
2	2	YTI446-59110	ENGINE HEATER	1	1							1
3	2	YTI446-59120	CORD	1	1							1
4	1	YTI446-59140	OIL HEATER ASS'Y	1	1							1
5	2	YTI446-59150	OIL HEATER	1	1							1
6	2	YTI446-59160	CORD	1	1							1

Fig. 104 AG TIRES (FRONT & REAR) [For Model YM276]

Y00T2321 104. AG TIRES(USA ONLY, FOR YM276)

(A)=YM276 (D)=  
 (B)=YM276D (E)=  
 (C)= (F)=

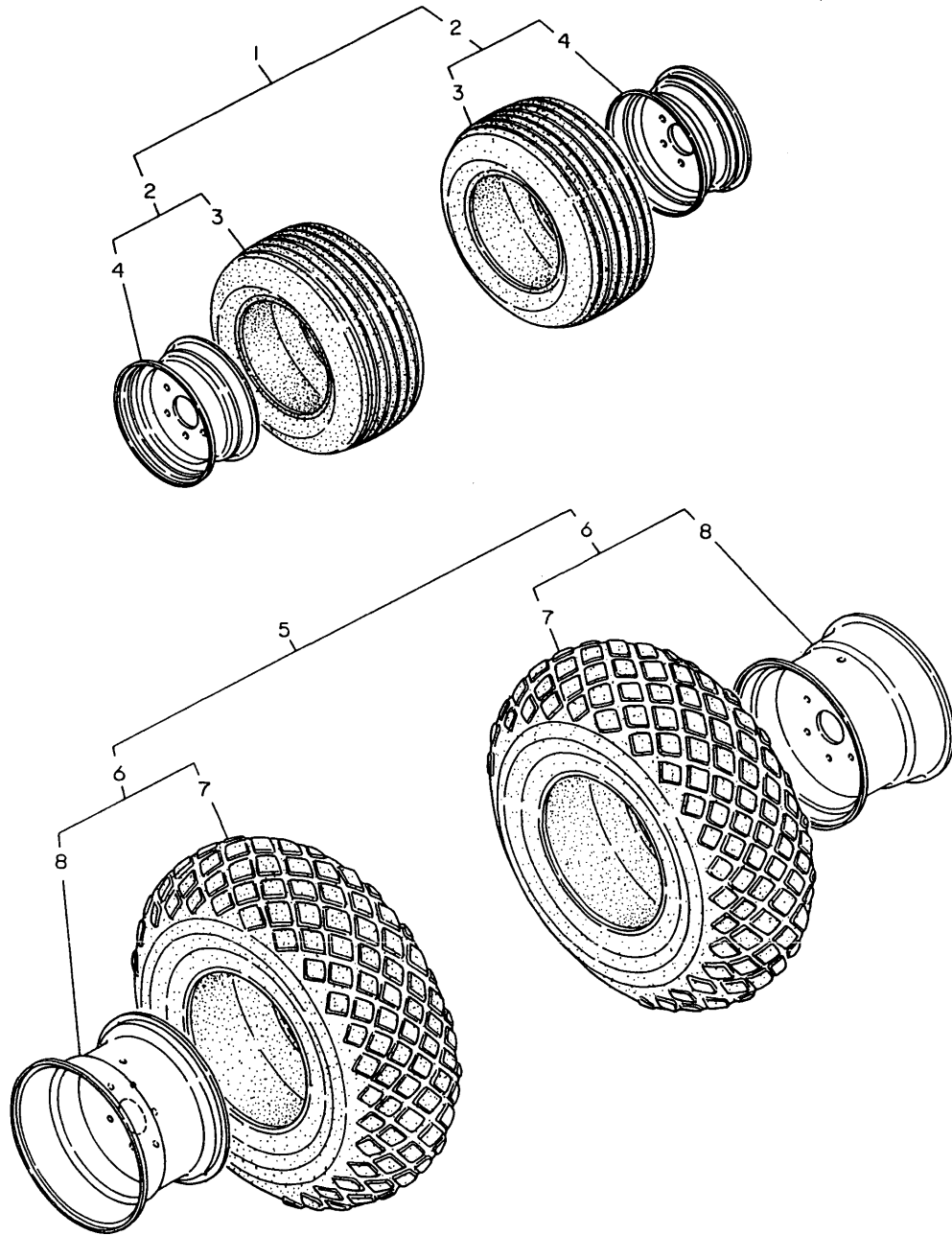


REF.	LEV.	PARTS NO.	DESCRIPTION	QTY						I	R
				(A)	(B)	(C)	(D)	(E)	(F)		
1	1	YTI432-00100	TIRE WHEEL SET,FRONT	1							1
2	2	YTI432-12900	TIRE ASSY,FRONT	2							1
3	3	YTI432-12950	TIRE W/TUBE 6.00-14	2							1
4	4	YTI432-12960	TIRE 6.00-14	2							1
5	4	YTI432-12970	TUBE	2							1
6	3	YTI432-12910	WHEEL 14X5KB	2							1
7	1	YTI170-34950	TIRE WHEEL SET,REAR	1							1
8	2	YTI170-34700	TIRE ASSY(L),REAR	1							1
9	3	YTI170-34970	TIRE W/TUBE 12.4-24	1							1
10	4	YTI170-34980	TIRE 12.4-24	1							1
11	4	YTI170-34990	TUBE 12.4-24	1							1
12	3	YTI170-34850	WHEEL ASSY 24-W10	1							1
13	4	YTI170-34860	WHEEL 24-W10	1							1
14	4	194130-34811-Q	DISC	1							1
15	4	194130-34850	BOLT M16X 35	4							1
15-1	4	194555-34850	BOLT M16X 35	4							R 1
		(A=T/# 20590)									
16	4	194130-34840	NUT M16	4							1
16-1	4	194555-34210	NUT M16	4							R 1
		(A=T/# 20590)									
17	4	22217-160000	SPRING WASHER 16	4							1
17-1	4	194555-34190	SPRING WASHER 16	4							R 1
		(A=T/# 20590)									
18	2	YTI170-34800	TIRE ASSY(R),REAR	1							1
19	3	YTI170-34970	TIRE W/TUBE 12.4-24	1							1
20	4	YTI170-34980	TIRE 12.4-24	1							1
21	4	YTI170-34990	TUBE 12.4-24	1							1
22	3	YTI170-34850	WHEEL ASSY 24-W10	1							1
23	4	YTI170-34860	WHEEL 24-W10	1							1
24	4	194130-34811-Q	DISC	1							1
25	4	194130-34850	BOLT M16X 35	4							1
25-1	4	194555-34850	BOLT M16X 35	4							R 1
		(A=T/# 20590)									
26	4	194130-34840	NUT M16	4							1
26-1	4	194555-34210	NUT M16	4							R 1
		(A=T/# 20590)									
27	4	22217-160000	SPRING WASHER 16	4							1
27-1	4	194555-34190	SPRING WASHER 16	4							R 1
		(A=T/# 20590)									

Fig. 105 TURF-TIRES (FRONT & REAR)

Y00T2321 105. TURF-TIRES(U.S.A.ONLY)

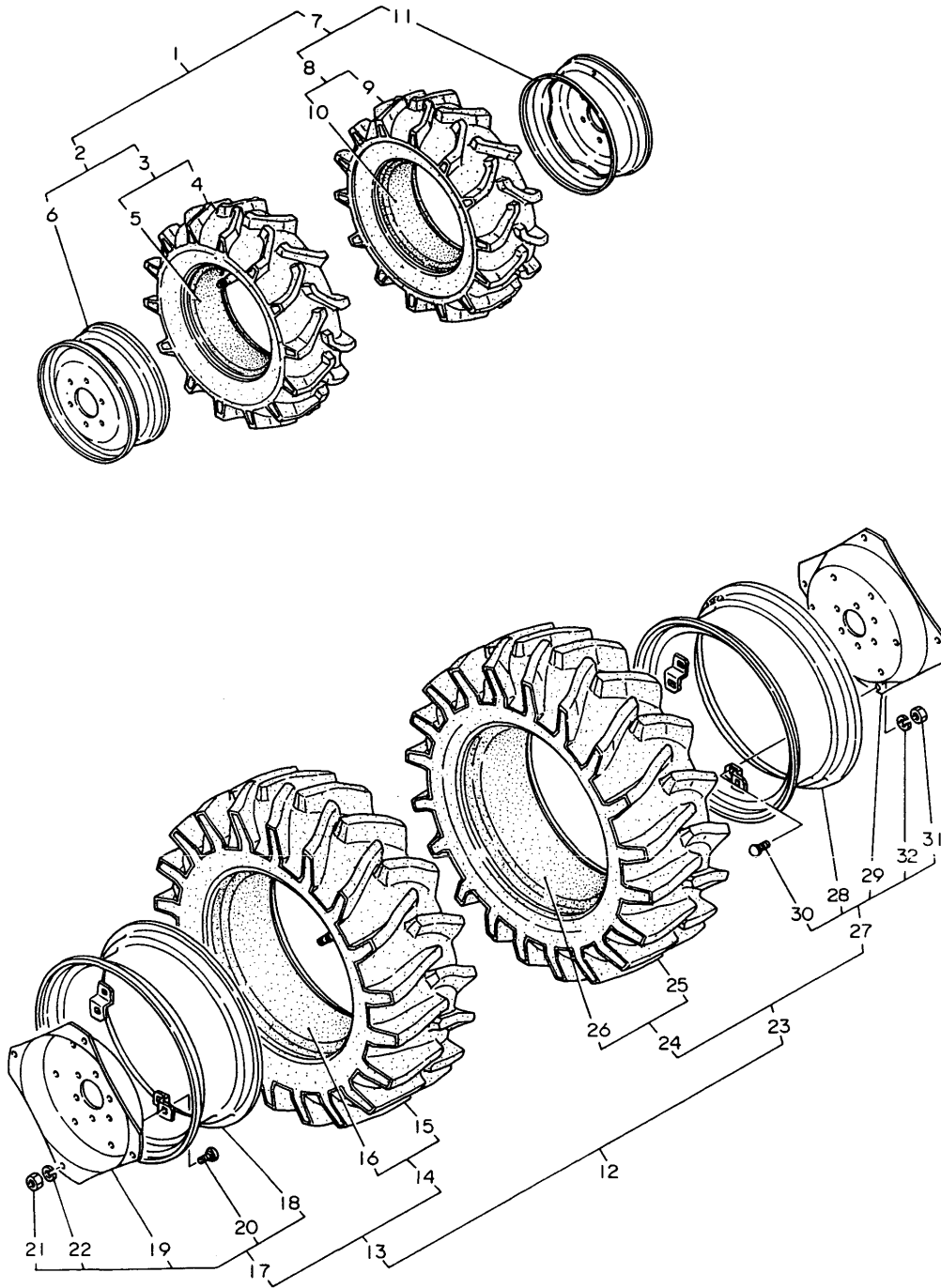
(A)=YM276 (D)=  
 (B)=YM276D (E)=  
 (C)= (F)=



REF.	LEV.	PARTS NO.	DESCRIPTION	QTY						I	R
				(A)	(B)	(C)	(D)	(E)	(F)		
1	1	YTI170-00100	TURF-TIRE WHEEL SET	1	1						1
2	2	YTI170-12800	TIRE W/WHEEL,FRONT	2	2						1
3	3	YTI170-12810	TURF-TIRE 12X7.50-15	2	2						1
4	3	YTI170-12850	WHEEL 15X6RM	2	2						1
5	1	YTI170-00110	TURF-TIRE WHEEL SET	1	1						1
6	2	YTI170-34500	TIRE W/WHEEL,REAR	2	2						1
7	3	YTI170-34820	TURF-TIRE 16.5L-16.1	2	2						1
8	3	YTI170-34810	WHEEL 16.1XW14C	2	2						1

Fig. 106 AG TIRES (FRONT & REAR) [For Model YM276D]

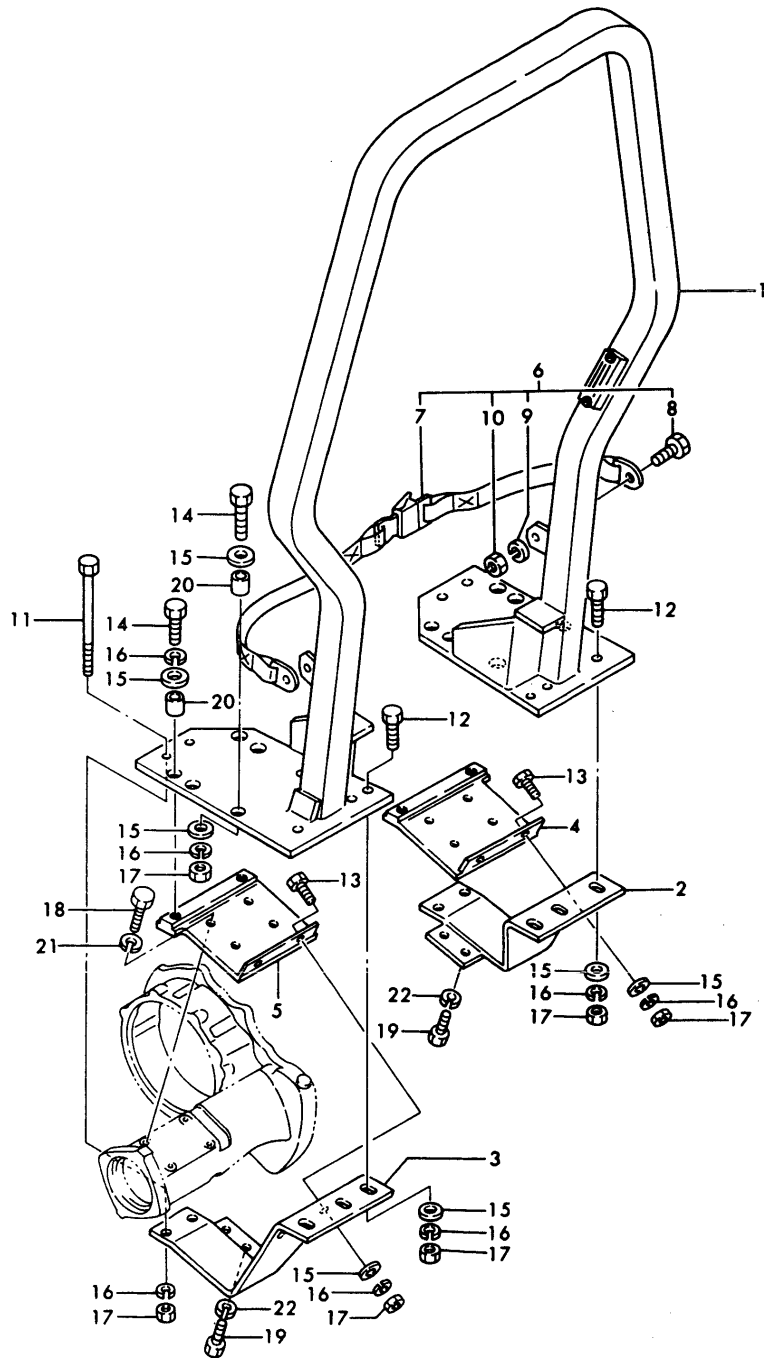
(A)=YM276 (D)=  
 (B)=YM276D (E)=  
 (C)= (F)=



REF.	LEV.	PARTS NO.	DESCRIPTION	QTY						I	R
				(A)	(B)	(C)	(D)	(E)	(F)		
2	2	794171-14700-Q	TIRE ASSY		1						1
2-1	2	198351-14750-Q (B=T/# 41611)	TIRE(L) ASSY, FRONT		1						S 1
3	3	194171-14800	TIRE W/TUBE 7-14		1						1
4	4	194171-14810	TIRE		1						1
5	4	194171-14820	TUBE		1						1
6-1	3	194311-14700-Q	WHEEL DC5JAX14W		1						1
6-2	3	198351-14700 (B=T/# 41611)	WHEEL 5JAX14WDC		1						S 1
7	2	794171-14800-Q	TIRE ASSY 5.5X16		1						1
7-1	2	198351-14850-Q (B=T/# 41611)	TIRE(R) ASSY, FRONT		1						S 1
8	3	194171-14800	TIRE W/TUBE 7-14		1						1
9	4	194171-14810	TIRE		1						1
10	4	194171-14820	TUBE		1						1
11-1	3	194311-14700-Q	WHEEL DC5JAX14W		1						1
11-2	3	198351-14700 (B=T/# 41611)	WHEEL 5JAX14WDC		1						S 1
12	1	YTI432-34950	TIRE WHEEL SET, REAR		1						1
13	2	YTI432-34700	TIRE ASSY(L), REAR		1						1
14	3	YTI432-34970	TIRE W/TUBE 11.2-24		1						1
15	4	YTI432-34980	TIRE 11.2-24		1						1
16	4	YTI432-34990	TUBE 11.2-24		1						1
17	3	YTI170-34850	WHEEL ASSY 24XW10		1						1
18	4	YTI170-34860	WHEEL 24XW10		1						1
19	4	194130-34811-Q	DISC		1						1
20	4	194130-34850	BOLT M16X 35		4						1
20-1	4	194555-34850 (B=T/# 41480)	BOLT M16X 35		4						R 1
21	4	194130-34840	NUT M16		4						1
21-1	4	194555-34210 (B=T/# 41480)	NUT M16		4						R 1
22	4	22217-160000	SPRING WASHER 16		4						1
22-1	4	194555-34190 (B=T/# 41480)	SPRING WASHER 16		4						R 1
23	2	YTI432-34800	TIRE ASSY(R), REAR		1						1
24	3	YTI432-34970	TIRE W/TUBE 11.2-24		1						1
25	4	YTI432-34980	TIRE 11.2-24		1						1
26	4	YTI432-34990	TUBE 11.2-24		1						1
27	3	YTI170-34850	WHEEL ASSY 24XW10		1						1
28	4	YTI170-34860	WHEEL 24XW10		1						1
29	4	194130-34811-Q	DISC		1						1
30	4	194130-34850	BOLT M16X 35		4						1
30-1	4	194555-34850 (B=T/# 41480)	BOLT M16X 35		4						R 1
31	4	194130-34840	NUT M16		4						1
31-1	4	194555-34210 (B=T/# 41480)	NUT M16		4						R 1
32	4	22217-160000	SPRING WASHER 16		4						1
32-1	4	194555-34190 (B=T/# 41480)	SPRING WASHER 16		4						R 1

Fig. 107 ROLL BAR

(A)=YM276 (D)=  
 (B)=YM276D (E)=  
 (C)= (F)=



REF.	LEV.	PARTS NO.	DESCRIPTION	QTY						I	R
				(A)	(B)	(C)	(D)	(E)	(F)		
1	1	4-11040	ROLL BAR ASSY	1	1						1
2	1	2-11867	BOTTOM AXLE, R.H.	1	1						1
3	1	2-11866	BOTTOM AXLE, L.H.	1	1						1
4	1	2-11869	TOP AXLE, R.H.	1	1						1
5	1	2-11868	TOP AXLE, L.H.	1	1						1
6	1	4-11790	SEAT BELT KIT	1	1						1
7	2	3-10287	SEAT BELT	1	1						1
8	2	3-10045	SCREW, HEX CAP	2	2						1
9	2	3-10152	WASHER, LOCK 0.437	2	2						1
10	2	3-10066	NUT, HEX 0.437-14NC	2	2						1
11	1	3-11739	SCREW, HEX CAP	4	4						1
12	1	3-10130	SCREW, HEX CAP	4	4						1
13	1	3-10046	SCREW, HEX CAP	4	4						1
14	1	3-12247	SCREW, HEX CAP	8	8						1
15	1	3-10087	WASHER, FLAT 0.500	20	20						1
16	1	3-10079	WASHER, LOCK 0.500	20	20						1
17	1	3-10067	NUT, HEX 0.500-13NC	16	16						1
18	1	3-12226	SCREW M10X25X1.5C	8	8						1
19	1	3-12227	SCREW M10X35X1.5C	4	4						1
20	1	1-15708	SPACER, PIPE	8	8						1
21	1	22217-100000	SPRING WASHER 10	8	8						1
22	1	22217-100000	SPRING WASHER 10	4	4						1